



MTM800 FuG MTM800 FuG ET

INSTALLATION MANUAL INSTALLATIONSHANDBUCH



December 2014



© 2014 Motorola Solutions, Inc. All rights reserved.



68015000553-J

Copyrights

The Motorola products described in this document may include copyrighted Motorola computer programs. Laws in the United States and other countries preserve for Motorola certain exclusive rights for copyrighted computer programs. Accordingly, any copyrighted Motorola computer programs contained in the Motorola products described in this document may not be copied or reproduced in any manner without the express written permission of Motorola.

© 2014 Motorola Solutions, Inc. All Rights Reserved.

No part of this document may be reproduced, transmitted, stored in a retrieval system, or translated into any language or computer language, in any form or by any means, without the prior written permission of Motorola Solutions, Inc.

Furthermore, the purchase of Motorola products shall not be deemed to grant either directly or by implication, estoppel or otherwise, any license under the copyrights, patents or patent applications of Motorola, except for the normal nonexclusive, royalty-free license to use that arises by operation of law in the sale of a product.

Disclaimer

Please note that certain features, facilities, and capabilities described in this document may not be applicable to or licensed for use on a particular system, or may be dependent upon the characteristics of a particular mobile subscriber unit or configuration of certain parameters. Please refer to your Motorola contact for further information.

Trademarks

MOTOROLA, MOTO, MOTOROLA SOLUTIONS, and the Stylized M Logo are trademarks or registered trademarks of Motorola Trademark Holdings, LLC and are used under license. All other trademarks are the property of their respective owners.

European Union (EU) Waste of Electrical and Electronic Equipment (WEEE) directive



■ The European Union's WEEE directive requires that products sold into EU countries must have the crossed out trashbin label on the product (or the package in some cases).

As defined by the WEEE directive, this cross-out trashbin label means that customers and end-users in EU countries should not dispose of electronic and electrical equipment or accessories in household waste.

Customers or end-users in EU countries should contact their local equipment supplier representative or service centre for information about the waste collection system in their country.

Open Source Software (OSS) Legal Notices

For details on OSS Legal Notices visit Motorola Online (emeaonline.motorolasolutions.com) or browse the CPS Plus disc.

Contents

Copyrights.....	3
List of Figures.....	9
List of Tables.....	11
Icon Conventions.....	13
Chapter 1: Scope of This Manual.....	15
Safety Information.....	15
MTM800 FuG/MTM800 FuG ET Manuals and User Guides.....	15
Chapter 2: Model Information and Accessories.....	17
Model Descriptions.....	17
Mobile Terminal Model Information.....	17
Sales Model Nomenclature.....	18
Model Specifications.....	19
MTM800FuG Accessories-to-Model Chart.....	21
MTM800FuG ET Accessories-to-Model Chart.....	26
Chapter 3: Vehicle Preparation.....	31
General Guidelines for Radio Installation.....	31
Uninstalling the Radio.....	32
Installing DC Power Cable.....	32
DC Power Cables.....	35
Installing Ignition Sense Cable.....	35
Ignition Sense Cables.....	36
Chapter 4: Radio Installation.....	37
Dashboard Installation.....	37
Installing the Radio in an Automotive Dashboard.....	37
Mounting the Radio in the Frame.....	37
Removing the Radio from the Frame.....	38
Desktop Installation.....	39
Desktop Installation Planning.....	39
Desktop Installation.....	39
MTM800FuG Remote Mount Installation.....	41
Installing the Remote Mount Enhanced Control Head onto the Remote Mount Trunnion.....	42
Installing the Remote Mount Enhanced Control Head in a DIN Mount Bracket.....	43
Inserting the Remote Mount Enhanced Control Head with the DIN Mount Bracket into the DIN Frame.....	43
Adding Extra Accessories to the Remote Head by Expansion Cable.....	44
Installing the Accessories Expansion Cable.....	45
MTM800 FuG ET Remote Mount Installation.....	45
Ethernet Cables.....	48
Installing the Remote Mount Ethernet Control Head (eCH) onto the Remote Mount Trunnion.....	49
Installing the Remote Mount Ethernet Control Head (eCh) in a DIN Mount Bracket.....	50
Inserting the Remote Mount Ethernet Control Head (eCH) with the DIN Mount Bracket into the DIN Frame.....	51

Adding Extra Accessories to the Ethernet Control Head (eCH) and Telephone Style Control Head (TSCH).....	51
Telephone Style Control Head (TSCH).....	55
Mounting TSCH Cradle onto Slim Bracket.....	58
Motorcycle Mount Enhanced Control Head Installation.....	61
Installing Motorcycle Mount Enhanced Control Head.....	62
MTM800FuG Mechanical Parts.....	65
Installing Motorcycle Mount TELCO Cable (PMKN4030_).....	65
Adding Extra Connectivity to the Motorcycle Mount Enhanced Control Head.....	65
Data Expansion Head Enhanced Installation.....	66
Data Expansion Head Enhanced Radio without Control Head.....	66
Data Box Radio.....	66
Data Expansion Head Enhanced with 3rd Party Control Head.....	67
Junction Box Installation.....	68
Installing Junction Box.....	69
Connecting Accessories to the Junction Box.....	69
Connectors on the Junction Box.....	70
Connection Plan for the Junction Box Accessory Terminal.....	71
Installing the Cable.....	73
Connection Plan for Accessory Connector Kit.....	74
Radios with Data Expansion Head Enhanced.....	75
Standard Radios without Data Expansion Head Enhanced.....	75
Standard Radios without Ethernet Data Expansion Head.....	75
Installing Trunnion.....	75

Chapter 5: Connectors and PIN Assignment..... 81

Transceiver Rear Side.....	81
Accessory Connection Plan.....	83
Re-crimp Procedure.....	84
Connectors and Pin Assignment of Data Expansion Head Enhanced and Remote Head Enhanced.....	85
10-Pin TELCO Connector.....	86
25-Pin subD Connector.....	87
9-Pin subD Connector.....	88
Connectors and Pin Assignment of Ethernet Expansion Head.....	89
Ethernet Control Head Interfaces.....	89
SIM Interface.....	90
9-Pin subD Connector.....	90
SIM Card Reader.....	91
Connector and Pin Assignment of the Enhanced Control Head.....	92
Connector and Pin Assignment of Ethernet Control Head (eCH).....	96
Connecting Cables.....	99
Motorcycle Mount TELCO Cable.....	99
Remote Mount Cables.....	99
Accessories Expansion Cable.....	99
Connector and Pin Assignment for Cradle (Telephone Style Control Head).....	101
Ethernet Cables.....	102
Remote Ethernet Control Head Y-Cable (Accessories Expansion Cable).....	102
Telephone Style Control Head Y-Cable (Accessories Expansion Cable).....	103
Radio-to-Junction Box.....	104
Data Expansion Head Enhanced Radio-to-Data Device.....	105
Data Expansion Head Enhanced Radio-to-Fist Microphone.....	105
Removing the Existing Coiled Cord Cable.....	106
Radio-to-Data Device: Active Data Cable.....	106

Chapter 6: External Equipment Installation.....	109
Vehicle Antenna Installation.....	109
Mobile Radio Operation and EME Exposure.....	109
Selecting an Antenna Site.....	109
Installing Antenna.....	110
Completing Radio Installation.....	110
Installing External Speaker.....	111
Appendix A: Service Information – EIA.....	113
Appendix B: Service Information – AME.....	115
Appendix C: Service Information – Americas.....	119
Appendix D: Warranty and Service Support.....	123
Appendix E: Product Specific Information for Digital Terminals Type MT953CG.....	125

List of Figures

Figure 1: Power Cabling Routing to Engine Compartment	33
Figure 2: Power Cable Assembly	34
Figure 3: Accessory Plug	36
Figure 4: Radio with Mount Kit	38
Figure 5: Radio with Demount Tools	39
Figure 6: Typical Desktop Mounting	40
Figure 7: Remote Mount Installation with Remote Head Enhanced/Data Expansion Head Enhanced	41
Figure 8: Remote Mount Enhanced Control Head Installation with Remote Mount Trunnion	42
Figure 9: Remote Mount Enhanced Control Head Installation with DIN Mount Bracket	43
Figure 10: Radio with Mounting Bracket and Mounting Kit	44
Figure 11: The Accessories Expansion Cable with the Mobile Microphone Port (MMP)	44
Figure 12: Remote Mount installation with Ethernet Control Head (eCH) PMWN4024_	46
Figure 13: Remote Mount installation with Ethernet Telephone Style Control Head (TSCH) PMWN4025_	46
Figure 14: Dual Control Head with two eCH	47
Figure 15: Dual Control Head with two TSCH	47
Figure 16: Dual Control Head with mixed eCH and TSCH	48
Figure 17: Ethernet Cable (PMKN4141_, PMKN4140A_, PMKN4139_, PMKN4138_, PMKN4136_, PMKN4146_)	49
Figure 18: Ethernet Cable PMKN4135_	49
Figure 19: Remote Mount Enhanced Control Head Installation with Remote Mount Trunnion	50
Figure 20: Remote Mount Enhanced Control Head Installation with DIN Mount Bracket	50
Figure 21: Mounting the Remote Mount Enhanced Control Head with the DIN Mount Bracket into the DIN Frame	51
Figure 22: The Accessories Expansion RECH Y-Cable	52
Figure 23: The Accessories Expansion TSCH Y-Cable	54
Figure 24: Telephone Style Control Head (TSCH) Cradle	56
Figure 25: TSCH Handset and Cradle	57
Figure 26: TSCH Unsupported Installation	57
Figure 27: Slim Bracket	58
Figure 28: Rear View of TSCH Cradle	59
Figure 29: Rear View of the TSCH Cradle with Slim Bracket	60
Figure 30: Rear View of the TSCH Cradle with Attached Slim Bracket	61
Figure 31: Motorcycle Mount Enhanced Control Head - Front Side	61
Figure 32: Motorcycle Installation	63
Figure 33: Upward Movement	64
Figure 34: Downward Movement	64
Figure 35: Motorcycle Mount Enhanced Control Head Mounted in a Trunnion	65
Figure 36: Data Box Radio Interface Description	66
Figure 37: Example of Configuration with Remote Control Terminal and External SIM Card Reader	67
Figure 38: Remote Mount Installation with Junction Box	68
Figure 39: Connectors on the Junction Box – Front Panel	70
Figure 40: Connectors on the Junction Box – Rear Panel	71
Figure 41: Connection Plan for the Speaker	71
Figure 42: Connection Plan for the Alarm Relay	72
Figure 43: Connection Plan for the Emergency Switch	72
Figure 44: Connection Plan for the Ignition Sense Cable	73
Figure 45: Connection Plan for External PTT	73
Figure 46: Terminal into High Profile Trunnion (GLN7317_)	76

Figure 47: Terminal into Key Locked Mount Trunnion (RLN4779_)	77
Figure 48: Top of Dash Mount	78
Figure 49: Below Dash Mounting	78
Figure 50: Location of Accessory Connector – Rear Side	81
Figure 51: Accessory Connector	83
Figure 52: 26-Pin Accessory Connector	83
Figure 53: Connecting Diagrams	84
Figure 54: Data Expansion Head Enhanced – Front View and Connector Location	85
Figure 55: Remote Head Enhanced – Front View and Connector Location	86
Figure 56: Ethernet Expansion Head Enhanced – Front View and Connector Location	89
Figure 57: Ethernet Expansion Head with SIM Card Reader	91
Figure 58: Enhanced Control Head’s Mobile Microphone Port Connector	92
Figure 59: Enhanced Motorcycle Control Head — Rear View	93
Figure 60: Remote Enhanced Control Head — Rear View	93
Figure 61: Enhanced Motorcycle Control Head — Rear Connectors	93
Figure 62: View of the Ethernet Control Head (eCH) with Mobile Microphone Port Connector	96
Figure 63: Ethernet Control Head — Rear Connectors	97
Figure 64: Motorcycle Mount TELCO Cable	99
Figure 65: Remote Mount Cable	99
Figure 66: Accessories Expansion Cable	100
Figure 67: Ethernet Cable Pin Diagram	102
Figure 68: RECH Y-Cable Pin Diagram	103
Figure 69: TSCH Y-Cable Pin Diagram	103
Figure 70: Connecting Cable - Radio-to-Junction Box	104
Figure 71: Standardized RS232 Cable	105
Figure 72: Pin Assignment of Cable from Accessory Connector to Microphone Housing	106
Figure 73: Active Data Cable PMKN4104_	107
Figure 74: Connections to the Rear Side of the Radio	110
Figure 75: External Speaker Trunnion Bracket	112

List of Tables

Table 1: Radio Model Descriptions	17
Table 2: Type and Model Numbers	17
Table 3: Sales Model Nomenclature	18
Table 4: Sales Models – Description of Symbols	18
Table 5: General Specifications	19
Table 6: Receiver Specifications	20
Table 7: Receiver Specifications	20
Table 8: Transmitter Specifications	20
Table 9: Transmitter Specifications	21
Table 10: Control Heads	21
Table 11: Expansion and Remote Head Kits	22
Table 12: Microphones	22
Table 13: Loudspeakers	22
Table 14: Handsets	22
Table 15: PTT Switches	22
Table 16: Desktop and Data Box Mount	23
Table 17: Power Cable (For Desktop Power Supply GPN6145 and HPN4007)	23
Table 18: Cables	23
Table 19: Junction Box	23
Table 20: Power Cables (to Mobile Terminal)	23
Table 21: Installation	24
Table 22: Mounting (Transceiver)	24
Table 23: Mounting (Control Head)	24
Table 24: Programming/Data	24
Table 25: Antennas (sold with terminals)	24
Table 26: GPS	25
Table 27: Control Heads	26
Table 28: Microphones	26
Table 29: Loudspeakers	27
Table 30: Handsets	27
Table 31: PTT Switches	27
Table 32: Cables	27
Table 33: Power Cables (to Mobile Terminal)	28
Table 34: Installation	28
Table 35: Mounting (Transceiver)	28
Table 36: Mounting (Control Head)	28
Table 37: Programming/Data	28
Table 38: Antennas (sold with terminals)	29
Table 39: Label Identification	29
Table 40: Ferrites for Ethernet Control Head	30
Table 41: GPS	30
Table 42: DC Power Cables	35
Table 43: Ignition Sense Cables	36
Table 44: Associated Components	40
Table 45: Associated Components for Remote Mount	42
Table 46: MTM800 FuG ET Configurations — Graphics Description	45
Table 47: Ethernet Cables	48
Table 48: Motorcycle Mount Enhanced Control Head - Mechanical Parts List for Installation	65

Table 49: Accessory Connector Kit – Cable Connectivity	74
Table 50: 26–PIN Accessory Connector	81
Table 51: 10–Pin TELCO Connector Pins	86
Table 52: 25–Pin subD Connector Pins	87
Table 53: 9–Pin subD Connector Pins	88
Table 54: Pin Assignment of the 10-Pin RJ50 Port 1 and Port 2 Connector – Ethernet Expansion Head	89
Table 55: SIM Interface – Pins	90
Table 56: 9–Pin subD Connector Pins	90
Table 57: Enhanced Control Head’s Mobile Microphone Port Connector	92
Table 58: 10–PIN Telco Connector	94
Table 59: 25–PIN Back Connector	94
Table 60: Mobile Microphone Port Connector	96
Table 61: 10–Pin Ethernet Connector	97
Table 62: 25–Pin Back Connector	97
Table 63: Accessories Expansion Cable — Connections	100
Table 64: Pin Assignment of the 10-Pin Audio Connector – Telephone Style Control Head	101
Table 65: Pin Assignment of the 10-Pin RJ50 Connector – Telephone Style Control Head	102
Table 66: Pin Assignment of Cable from Accessory Connector to Microphone Housing	106
Table 67: Pin Assignment - Active Data Cable PMKN4104_	107
Table 68: Related Power and Distance	109
Table 69: Service Information – Telephone Numbers and Addresses of the Asia and Pacific Motorola Centers	115
Table 70: Service Information – Telephone Numbers and Addresses of Latin America Radio Support Centers	119
Table 71: Service Information – Telephone Numbers and Addresses of Latin America Motorola Centers	119
Table 72: Equipment Electrical Ratings	125
Table 73: Normal Load Conditions	125
Table 74: Fuse Identification	125

Icon Conventions

The documentation set is designed to give the reader more visual clues. The following graphic icons are used throughout the documentation set. These icons and their associated meanings are described below.



Danger: The signal word DANGER with the associated safety icon implies information that, if disregarded, will result in death or serious injury.



Warning: The signal word WARNING with the associated safety icon implies information that, if disregarded, could result in death or serious injury, or serious product damage.



Caution: The signal word CAUTION with the associated safety icon implies information that, if disregarded, may result in minor or moderate injury, or serious product damage.

Caution: The signal word CAUTION may be used without the safety icon to state potential damage or injury that is not related to the product.



Important: IMPORTANT statements contain information that is crucial to the discussion at hand, but is not CAUTION or WARNING. There is no warning level associated with the IMPORTANT statement.



Note: NOTE contains information more important than the surrounding text, such as exceptions or preconditions. They also refer the reader elsewhere for additional information, remind the reader how to complete an action (when it is not part of the current procedure, for instance), or tell the reader where something is located on the screen. There is no warning level associated with a note.



Suggestion: SUGGESTION implies a recommendation or tip from Motorola that does not require to be followed, but might be helpful. There is no warning level associated with SUGGESTION.

Chapter

1

Scope of This Manual

This manual is intended for use by service technicians familiar with similar types of equipment. It contains information required for the installation of the equipment described and is current as of the printing date. Changes which occur after printing date may be incorporated by a complete Manual revision or alternatively as additions. MTM800FuG platform is available in different software versions and various hardware configurations around the mobile radio. Different configurations are reflected in the product names MTM800FuG; MTM800FuG ET. This manual will only separate between the different products when there is a difference.



Note: Only the trained personnel can install the mobile terminal. All installations should take place in accordance with the requirements of the vehicle and antenna manufacturer/supplier.

Safety Information

RF Energy Exposure and Product Safety Guide For Two-Way Radios



Caution: Before using this product, read the RF Energy Exposure and Safety Guide For Two-Way Radios that ships with the radio. The Guide contains operating instructions for safe usage, RF energy awareness, and control for compliance with applicable standards and regulations. This radio is restricted to occupational use only. Any modification to this device, not expressly authorized by Motorola, may void the user's authority to operate this device.

MTM800 FuG/MTM800 FuG ET Manuals and User Guides

Product Information Manual

- 68015000883 MTM800FuG/MTM800FuG ET Product Information Manual

Installation Instructions

- 68015000584 MTM800 FuG/MTM800 FuG ET Installation Manual (English)
- 68015000553 MTM800 FuG/MTM800 FuG ET Installation Manual (English/German)

Service Manual

- 68015000183 MTM5400 / MTM800 FuG Basic Service Manual EMEA (English)

Quick Start Guides

- 68015000554 MTM800 FuG Quick Start Guide (English)
- 68015000555 MTM800 FuG Quick Start Guide (German)
- 68015000613 TSCH Quick Start Guide (English)
- 68015000614 TSCH Quick Start Guide (German)

User Guides

- 68015000185 MTM800 FuG Feature User Guide (English)
- 68015000552 MTM800 FuG Feature User Guide (English/German)

Safety Leaflets

- 6866537D37 Mobile Safety Leaflet (EMEA)

Chapter 2

Model Information and Accessories

Model Descriptions

Table 1: Radio Model Descriptions

Model	Description
M1	Dash Mount with Mobile Terminal with Direct Mount Enhanced Control Head, Speaker, Microphone or Handset, Standard User Guide, and Installation Accessories.
M2	Desk Mount with Mobile Terminal with Direct Mount Enhanced Control Head, Speaker, Microphone or Handset, Standard User Guide, Installation Accessories and Tray with a Power Supply.
M3	<p>Remote Mount with Mobile Terminal with Remote Mount Enhanced Control Head, optional either with Remote Head Enhanced or Data Expansion Head Enhanced, Speaker, Microphone or Handset, Remote Mount cables, Standard User Guide, and Installation Accessories.</p> <p>For MTM800FuG ET — Remote Mount with Mobile Terminal with Remote Mount Ethernet Enhanced Control Head with Ethernet Data Expansion Head, Speaker, Microphone or Handset, Remote Mount cables, Standard User Guide, and Installation Accessories. For MTM800FuG ET the remote mount control heads can be:</p> <ul style="list-style-type: none"> • Telephone Style Control Head (TSCH) • Remote Ethernet Control Head (RECH) • A combination of the above or two of each
M4	Motorcycle Mount with Mobile Terminal with Motorcycle Mount Enhanced Control Head, optional either with Remote Head Enhanced or Data Expansion Head Enhanced, Speaker, Microphone or Handset, Motorcycle cables, Standard User Guide, and Installation Accessories; Dual Control Mount with two Enhanced Control Heads (master and slave) and a Junction Box, Audio Accessories, Standard User Guide, and Installation Accessories.
M5	Data Box - Remote Mount Configuration with Expansion Head Enhanced, without Enhanced Control Head, Remote Mount cables, Standard User Guide, Installation Accessories, and a Power Supply.



Note: Other combinations are not recommended or possible.

Mobile Terminal Model Information

Table 2: Type and Model Numbers

This manual applies to the following Mobile Terminal Models:

Type No.	Sales Model No.	Short Description	Model
MT953CG	M83PFS6TZ5AG	MTM800 FuG 380-430 MHz, DASH	M1
	M83PFS6TZ4AG	MTM800 FuG 380-430 MHz, DESK	M2
	M83PFS6TZ6AG	MTM800 FuG 380-430 MHz, REMOTE	M3
	M83PFS6TZ2AG	MTM800 FuG 380-430 MHz, M'CYCLE	M4
	M83PFA6TZ5AG	MTM800 FuG 380-430 MHz, DATA	M5
	M83PFT6TZ6AG	MTM800FuG 380-430 REM ETHERNET	M3



Warning: Ethernet Expansion Heads are only compatible with Ethernet Remote Heads. Do not mix the Ethernet control head with non-Ethernet control heads. Also ensure use of the proper Ethernet cables to connect Ethernet Expansion Head with TSCH and eCH. If not connected properly, transceiver can be broken.

Sales Model Nomenclature

Table 3: Sales Model Nomenclature

Position	1	2	3	4	5	6	7	8	9	10	11	12
Typical Model Number	M	8	3	P	F	S	6	T	Z	5	A	N

Table 4: Sales Models – Description of Symbols

Position	Description	Value
1	Type of Unit	M = Mobile Product
2	Model Series	83 = MTM800 FuG/ MTM800FuG ET
3		
4	Frequency Band	M = 260 - 275 MHz N = 350 - 390 MHz P = 380 - 430 MHz R = 410 - 470 MHz U = 806 - 870 MHz, (for DMO; 851 - 870 MHz)
5	Level	F = 10.0 Watts
6	Physical Packages	S = Enhanced Control Head A = Data Box (No Control Head)
7	Channel Spacing	6 = 20/25 kHz
8	Unique Variation	T = TETRA
9	Version Letter	Z = TETRA
10	Feature Level	5 = Dash/Data Mount

Table continued...

Position	Description	Value
		4 = Desk Mount
		2 = Motorcycle Mount
		6 = Remote Mount
11	Primary System Type	Model Version – e.g. A, B C
12	Primary Operation	N = Standard Package G = FuG Models

Model Specifications

Table 5: General Specifications

Parameter	Value	
ETSI	ETS 300 394-1 ETS 300 489-1	
Type Number	MTM800 FuG, MTM800FuG ET 380-430 MHz MT953CG	
Temperature Range for Transceiver	Operating	-30°C to +60°C
	Storage	-40°C to +85°C
Power Supply	Minimum:	10.8 Vdc
	Nominal:	13.2 Vdc
	Maximum:	15.6 Vdc
	Max. Current	Approx. 4.5 A
Dimensions (HxWxD) in mm	Transceiver with Enhanced Control Head, Dash Mount (MTM800FuG) 60 x 188 x 198	
Dimensions (HxWxD) in mm	Transceiver with Ethernet Expansion Head (MTM800 FuG ET)	45 x 170 x 190mm
	Ethernet Control Head (eCH)	60 x 190 x 40mm
	Telephone Style Control Head (TSCH)	220 x 65 x 75mm
Weight in grams:	Transceiver with Enhanced Control Head, Dash Mount (MTM800FuG)	1500
Weight in grams:	Transceiver with Ethernet Expansion Head (MTM800 FuG ET)	1330g
	Ethernet Control Head (eCH)	310g
	Telephone Style Control Head (TSCH) (excludes cable)	450g
GPS Performance	Autonomous Acquisition Sensitivity	-146 dBm / -176 dBW
	Tracking Sensitivity	-160 dBm / -190 dBW

Table 6: Receiver Specifications

Parameter	Value	
Channel Spacing:	25kHz	
Sensitivity (3.5%) BER:	-114 dBm (Static), -105 dBm (Dynamic)	
Intermodulation:	-47 dBm	
Blocking (50-100 kHz):	-40 dBm	
Spurious Rejection:	-45 dBm	
Adjacent Channel Interference Ratio:	-45 dBm	
Frequency Stability:	Locked to Base	+/- 100 Hz
	Unlocked to Base	+/- 1kHz
Audio Rated (@4 Ohms):	For External Speaker:	10W
	Distortion at Rated Audio:	5% Maximum

Table 7: Receiver Specifications

Parameter	Value	
Receiver Type	Direct Conversion	
Frequency Range	MT953CG	380–430 MHz
Channel Spacing:	25kHz	
Sensitivity (3.5%) BER:	-114 dBm (Static), -105 dBm (Dynamic)	
Intermodulation:	-47 dBm	
Blocking (50-100 kHz):	-40 dBm	
Spurious Rejection:	-45 dBm	
Adjacent Channel Interference Ratio:	-45 dBm	
Frequency Stability:	Locked to Base	+/- 100 Hz
	Unlocked to Base	+/- 1kHz
Audio Rated (@4 Ohms):	For External Speaker:	10W
	Distortion at Rated Audio:	5% Maximum

Table 8: Transmitter Specifications

Parameter	Value	
Modulation Type:	μ /4DQPSK	
RF Power	TMO	Adjustable to Class 2 (10W), Class 2L (5.6W), Class 3 (3W). Power in MSPD mode limited to Class 2L. Power in TEDS mode limited to Class 3.

Table continued...

Parameter	Value	
	DMO	10W / 40dBm
Frequency Range TMO	MT953CG	380–430 MHz
Frequency Range DMO	MT953CG	380–430 MHz
Frequency Stability	Locked to Base	+/- 100 Hz
	Not Locked to Base	+/- 1 kHz
Spurious Emissions:	Conducted/Radiated	- 36 dBm <=1GHz
		- 30 dBm > 1GHz

Table 9: Transmitter Specifications

Parameter	Value	
Modulation Type:	μ/4DQPSK	
RF Power	TMO	MTM800FuG/MTM800FuG ET: adjustable to Class 2 (10W), Class 2L (5.6W), Class 3 (3W). Power in MSPD mode limited to Class 2L.
	DMO	MTM800FuG/MTM800FuG ET: adjustable to Class 2 (10W), Class 2L (5.6W), Class 3 (3W). Power in MSPD mode limited to Class 2L.
Frequency Range TMO	MT953CG	380–430 MHz
Frequency Range DMO	MT953CG (MTM800FuG, MTM800FuG ET)	380–430 MHz
Frequency Stability	Locked to Base	+/- 100 Hz
	Not Locked to Base	+/- 1 kHz
Spurious Emissions:	Conducted/Radiated	- 36 dBm <=1GHz
		- 30 dBm > 1GHz

MTM800FuG Accessories-to-Model Chart

Table 10: Control Heads

Accessory	Part Number	M1	M2	M3	M4	M5
Control Head, Roman Keypad	PMWN4009_	x	x			
Remote Mount Control Head, Roman Keypad	PMWN4017_			x		
IP67 Motorcycle Control Head, Roman Keypad	PMWN4002_				x	

Table 11: Expansion and Remote Head Kits

Accessory	Part Number	M1	M2	M3	M4	M5
Data Expansion Head	PMLN4908_			x	x	x
Remote Head	PMLN4904_			x	x	

Table 12: Microphones

Accessory	Part Number	M1	M2	M3	M4	M5
Desktop Microphone, Mobile Microphone Port	RMN5106_	x	x	x		
Compact Fist Microphone with a clip	RMN5107_	x	x	x	x	
Fist Microphone with a clip ²	GMMN4063_	x	x	x		x
Push Button PTT	RLN5926_	x	x	x	x	x
Smart Visor Microphone	RMN5054_	x	x	x	x	x
Visor Microphone	PMMN4087_	x	x	x	x	x
Heavy Duty Fist Microphone	RMN5111_	x	x	x	x	x

Table 13: Loudspeakers

Accessory	Part Number	M1	M2	M3	M4	M5
Small Loudspeaker, 5W ²	GMSN4078_	x	x	x	x	x
Speaker, 13W ²	GMSN4066_	x	x	x	x	x
External Speaker, 5W	RSN4004_	x	x	x	x	x
External Speaker, 13W	RSN4002_	x	x	x	x	x
External Speaker, 7W	RSN4003_	x	x	x	x	x

Table 14: Handsets

Accessory	Part Number	M1	M2	M3	M4	M5
Impress Telephone Style Handset Kit	HLN7016_	x	x	x	x	x
Kit, Telephone Handset Bracket	NNTN7232_	x	x	x	x	x
Kit, Telephone Handset Hardware	NNTN7214_	x	x	x	x	x
BMI Hearer Speaker Mic	PMMN4070_	x	x	x	x	x

Table 15: PTT Switches

Accessory	Part Number	M1	M2	M3	M4	M5
External PTT with Emergency Footswitch (use together with a Junction Box)	RLN4836AR	x	x	x	x	
Gooseneck PTT (use together with a Junction Box)	RLN4858_	x	x	x	x	
Pushbutton with Remote PTT (use together with a Junction Box)	RLN4857_	x	x	x	x	

Table 16: Desktop and Data Box Mount

Accessory	Part Number	M1	M2	M3	M4	M5
Desktop Tray without Loudspeaker	GLN7318_		x			
Desktop Tray with Loudspeaker	RSN4005_		x			
Desktop Power Supply	HPN4007_		x			x
Desktop Power Supply	GPN6145_		x			x

Table 17: Power Cable (For Desktop Power Supply GPN6145 and HPN4007)

Accessory	Part Number	M1	M2	M3	M4	M5
US Linecord (3060665A04) Packed	NTN7373_		x			x
Euro Linecord (3060665A05) Packed	NTN7374_		x			x
UK Linecord (3002120F02) Packed	NTN7375_		x			x
Power Cable, for use with HPN4007C and GPN6145B	GKN6266_		x			x

Table 18: Cables

Accessory	Part Number	M1	M2	M3	M4	M5
Remote Mount Cable (Terminal to C/H), 3m	RKN4077_			x		
Remote Mount Cable (Terminal to C/H), 5m	RKN4078_			x		
Remote Mount Cable (Terminal to C/H), 7m	RKN4079_			x		
Remote Mount Cable (Terminal to C/H), 10m	PMKN4020_			x		
Accessories Expansion Cable, 2.3m	PMKN4029_			x	x	
Motorcycle Mount TELCO Cable, 2.3m	PMKN4030_				x	
Speaker Extension Cable (use together with Junction Box)	GMKN4084_	x	x	x	x	
Speaker Extension Cable	PMKN4119_	x	x	x	x	

Table 19: Junction Box

Accessory	Part Number	M1	M2	M3	M4	M5
Data Junction Box	GMLN5089_	x	x	x	x	
Cable 6m Transceiver to Junction Box ²	PMKN4101_	x	x	x	x	
Cable 4m Transceiver to Junction Box ²	PMKN4102_	x	x	x	x	
Cable 2m Transceiver to Junction Box ²	PMKN4103_	x	x	x	x	

Table 20: Power Cables (to Mobile Terminal)

Accessory	Part Number	M1	M2	M3	M4	M5
12V Power Cable to Battery, 3m with Fuse (10 A)	GKN6270_	x		x	x	
12V Power Cable to Battery, 6m with Fuse (10 A)	GKN6274_	x		x	x	

Table 21: Installation

Accessory	Part Number	M1	M2	M3	M4	M5
External Alarm Relay	GKN6272_	x	x	x	x	
External alarm relay (PTO kit that contains GKN6272A & PMLN5072A)	GMLN5091_	x	x	x	x	
Accessory Connector Kit - radio rear (use with a Junction Box)	HLN9457_	x	x	x	x	
Accessory Connector Kit - junction box 26-pin plug ¹	PMLN5072_	x	x	x	x	

Table 22: Mounting (Transceiver)

Accessory	Part Number	M1	M2	M3	M4	M5
Key Lock Mount	RLN4779_	x	x	x	x	x
High Profile Mounting Bracket	GLN7317_	x	x	x	x	x
Low Profile Mounting Bracket	GLN7324_	x	x	x	x	x
Mounting Frame to Install Transceiver in DIN-A Slot	PMLN5094_	x	x	x	x	x

Table 23: Mounting (Control Head)

Accessory	Part Number	M1	M2	M3	M4	M5
Remote Mount Trunnion Kit	PMLN4912_			x		
Motorcycle Mount Trunnion Kit	PMLN5092_				x	
DIN Mount Bracket	PMLN5093_			x		

Table 24: Programming/Data

Accessory	Part Number	M1	M2	M3	M4	M5
USB Programming Cable (Terminal Rear Port) ⁴	PMKN4110_	x	x	x	x	x
Active Data Cable ³	PMKN4104_	x	x	x	x	
USB Programming Cable (Mobile Microphone Port)	HKN6184_	x	x	x	x	x

Table 25: Antennas (sold with terminals)

Accessory	Part Number	M1	M2	M3	M4	M5
Antenna Whip Tetra Hinged 380 – 430MHz	GMAE4253_	x	x	x	x	x
Antenna Tetra Glass Mount 410 – 430MHz	GMAE4254_	x	x	x	x	x
Antenna Tetra Panel/Roof Mount 380 – 430MHz	GMAE4255_	x	x	x	x	x
Antenna Tetra Magnetic Mount 380 – 400MHz	GMAE4256_	x	x	x	x	x
Antenna Tetra Magnetic Mount 410 – 430MHz	GMAE4257_	x	x	x	x	x
Antenna Tetra Covert Strip Glass 380 – 400MHz	GMAE4258_	x	x	x	x	x
Antenna Tetra Covert Strip Glass 410 – 430MHz	GMAE4259_	x	x	x	x	x

Table continued...

Accessory	Part Number	M1	M2	M3	M4	M5
Antenna Tetra Low Profile 380 – 400MHz	GMAE4260_	x	x	x	x	x
Antenna Tetra Low Profile 410 – 430MHz	GMAE4261_	x	x	x	x	x
Antenna Tetra Wall Mount 380 – 400MHz	GMAE4262_	x	x	x	x	x
Antenna Tetra Wall Mount 410 – 430MHz	GMAE4263_	x	x	x	x	x
Antenna Tetra Motorcycle 380 – 400MHz	GMAE4266_	x	x	x	x	x
Antenna Tetra Motorcycle 410 – 430MHz	GMAE4267_	x	x	x	x	x
Antenna Mount Panel/Roof thickness up to 4mm	GMLN4276_	x	x	x	x	x
Antenna Mount Panel/Roof thickness up to 6mm	GMLN4277_	x	x	x	x	x
Antenna Mount Magnetic	GMAE4279_	x	x	x	x	x
Antenna Whip Tetra Flexible Hinged 380 – 400MHz	GMAE4279_	x	x	x	x	x
Antenna Whip Tetra Flexible Hinged 410 – 430MHz	GMAE4280_	x	x	x	x	x
Antenna Whip Tetra Flexible Hinged 380 – 430MHz	GMAE4281_	x	x	x	x	x
Antenna Whip Tetra Hinged 380 – 400MHz	GMAE4282_	x	x	x	x	x
Antenna Whip Tetra Hinged 410 – 430MHz	GMAE4283_	x	x	x	x	x
Antenna Whip Tetra Hinged 380 – 430MHz	GMAE4284_	x	x	x	x	x
GPS/TETRA COMBI Antenna Kit 380 – 430MHz	GMAE4248_	x	x	x	x	x
Antenna Motorcycle UHF 438 – 470MHz	GMAE4268_				x	
Antenna combined GPS/UHF 430 – 470MHz	PMAE4269_	x	x	x	x	x
Antenna Glass Mount 450 – 470MHz	GMAE4270_	x	x	x	x	x
Antenna Panel / Roof Mount 430 – 470MHz	GMAE4271_	x	x	x	x	x
Antenna Magnetic Mount 430 – 470MHz	GMAE4272_	x	x	x	x	x
Antenna Covert Glass Strip 420 – 465MHz	GMAE4273_	x	x	x	x	x
Antenna Low Profile 430 – 470MHz	GMAE4274_	x	x	x	x	x
Antenna Wall Mount 430 – 470MHz	GMAE4275_	x	x	x	x	x
Antenna Mount Panel	GMLN4276_	x	x	x	x	x
Antenna Mount Panel	GMLN4277_	x	x	x	x	x
Antenna Mount Magnetic	GMLN4278_	x	x	x	x	x
Antenna Whip Hinged Flex Tetra 450MHz	GMAE4285_	x	x	x	x	x
Antenna Whip Flex Tetra 450MHz	GMAE4286_	x	x	x	x	x

Table 26: GPS

Accessory	Part Number	M1	M2	M3	M4	M5
GPS Adaptor (required if re-using MTM800 FME style Antennas)	PMKN4114_	x	x	x	x	x
Antenna Comb Tetra/GPS 380-430MHz SMA	GMAE4507_	x	x	x	x	x

Table continued...

Accessory	Part Number	M1	M2	M3	M4	M5
Antenna GPS Panel / Roof Mount SMA	GMAG4253_	x	x	x	x	x
Antenna GPS Only Magnetic Mount SMA	GMAG4254_	x	x	x	x	x
Antenna Combined Tetra and GPS 350MHz	PMAE4493_	x	x	x	x	x

¹ Keep the GCAI connector cover supplied with the new Control Head.

² Requires Junction Box, GMLN5089_.

³ The cable, PMKN4104_, is only compatible when a Data Expansion Head Enhanced is not fitted as part of a remote mount configuration. In this configuration access to the TETRA PEI for IP Packet Data and SDS services is available on the Data Expansion Head Enhanced and the Active Data Cable PMKN4104_ cannot be used.

⁴ Used both for programming and data purposes.



Caution:

Complex installations requiring extended cable runs and Remote Mount Control Heads with Audio Accessories such as the Telephone Style Handset (HLN7016_) may benefit from careful routing of cables, and in some cases additional EMC reduction techniques such as using Ferrite/Toroid accessories. Suitable examples of these are as follows:

- Ferrite Clamp, Part No. 91012044001, 91012044002 or 91012044003
- Toroid, Part No. 01015001001

MTM800FuG ET Accessories-to-Model Chart



Note: For descriptions of models (M1 — M5), see section “Model Descriptions”

Table 27: Control Heads

Accessory	Part Number	M1	M2	M3	M4	M5
Ethernet Data Expansion Control Head	PMLN7009_			x		
Ethernet Remote Control Head (eCH), Roman	PMWN4024_			x		
Ethernet Telephone Style Control Head (TSCH) Roman	PMWN4025_			x		

Table 28: Microphones

Accessory	Part Number	M1	M2	M3	M4	M5
Desktop Microphone, Mobile Microphone Port	RMN5106_	x	x	x		
Compact Fist Microphone with a clip	RMN5107_	x	x	x	x	
Fist Microphone with a clip ²	GMMN4063_	x	x	x		x
Smart Visor Microphone	RMN5054_	x	x	x	x	x
Visor Microphone	PMMN4087_	x	x	x	x	x
Heavy Duty Microphone	RMN5111_	x	x	x	x	x
Push Button PTT	RLN5926_	x	x	x	x	x

Table 29: Loudspeakers

Accessory	Part Number	M1	M2	M3	M4	M5
External Speaker, 5W	RSN4004_	x	x	x	x	x
External Speaker, 13W	RSN4002_	x	x	x	x	x
External Speaker, 7W	RSN4003_	x	x	x	x	x
Speaker Extension Cable	PMKN4119_	x	x	x	x	x
Small Loudspeaker, 5W ²	GMSN4078_	x	x	x	x	x

Table 30: Handsets

Accessory	Part Number	M1	M2	M3	M4	M5
Impres Telephone Style Handset Kit	MDHNL7016_	x	x	x	x	x
Impres Ph-Handset Mid PTT	MDHNL7016A SP01	x	x	x	x	x
Kit, Telephone Handset Bracket	NNTN7232_	x	x	x	x	x
Kit, Telephone Handset Hardware	NNTN7214_	x	x	x	x	x
BMI Hearer Speaker Microphone	PMMN4070_	x	x	x	x	x

Table 31: PTT Switches

Accessory	Part Number	M1	M2	M3	M4	M5
Push Button PTT	RLN5926_	x	x	x	x	
External PTT with Emergency Footswitch ²	RLN4836AR	x	x	x	x	x
Gooseneck PTT ²	RLN4858_	x	x	x	x	x
Pushbutton with Remote PTT ²	RLN4857_	x	x	x	x	x
Push Button PTT ²	RLN5926_	x	x	x	x	x

Table 32: Cables

Accessory	Part Number	M1	M2	M3	M4	M5
Tetra Mobile Ethernet Cable, 40m	PMKN4135_			x		
Tetra Mobile Ethernet Cable, 15m	PMKN4146_			x		
Tetra Mobile Ethernet Cable, 12m	PMKN4136_			x		
Tetra Mobile Ethernet Cable, 10m	PMKN4138_			x		
Tetra Mobile Ethernet Cable, 7m	PMKN4139_			x		
Tetra Mobile Ethernet Cable, 5m	PMKN4140_			x		
Tetra Mobile Ethernet Cable, 3m	PMKN4141_			x		
RECH Y-Cable with Fuse (2 A)	PMKN4133_			x		
TSCH Y-Cable with Fuse (2 A)	PMKN4134_			x		
Accessory Kit	PMLN6487_			x		

Table continued...

Accessory	Part Number	M1	M2	M3	M4	M5
SIM Card Reader Cable 60cm	PMKN4137_			x		
SIM Card Reader Cable 195cm	PMKN4142_			x		

Table 33: Power Cables (to Mobile Terminal)

Accessory	Part Number	M1	M2	M3	M4	M5
12V Power Cable to Battery, 3m with Fuse (10 A)	GKN6270_	x		x	x	
12V Power Cable to Battery, 6m with Fuse (10 A)	GKN6274_	x		x	x	

Table 34: Installation

Accessory	Part Number	M1	M2	M3	M4	M5
External alarm relay (PTO kit that contains GKN6272A & PMLN5072A)	GMLN5091_	x	x	x	x	
Accessory Connector Kit - junction box 26-pin plug ¹	PMLN5072_	x	x	x	x	
External Alarm Relay	GKN6272_			x		
External alarm relay (PTO kit that contains GKN6272A & PMLN5072A)	GMLN5091_			x		
Accessory Connector Kit - radio rear ²	HLN9457_			x		

Table 35: Mounting (Transceiver)

Accessory	Part Number	M1	M2	M3	M4	M5
Key Lock Mount	RLN4779_	x	x	x	x	x
High Profile Mounting Bracket	GLN7317_	x	x	x	x	x
Low Profile Mounting Bracket	GLN7324_	x	x	x	x	x
Mounting Frame to Install Transceiver in DIN-A Slot	PMLN5094_	x	x	x	x	x

Table 36: Mounting (Control Head)

Accessory	Part Number	M1	M2	M3	M4	M5
Remote Mount Trunnion Kit	PMLN4912_			x		
Motorcycle Mount Trunnion Kit	PMLN5092_				x	
DIN Mount Bracket	PMLN5093_			x		
Slim Mounting Bracket Kit	PMLN6346_			x		

Table 37: Programming/Data

Accessory	Part Number	M1	M2	M3	M4	M5
USB Programming Cable (Terminal Rear Port) ⁴	PMKN4110_	x	x	x	x	x
Active Data Cable ³	PMKN4104_	x	x	x	x	
USB Programming Cable (Mobile Microphone Port)	HKN6184_	x	x	x	x	x

Table continued...

Accessory	Part Number	M1	M2	M3	M4	M5
USB Programming Cable	25-124330-01_	x	x	x	x	x

Table 38: Antennas (sold with terminals)

Accessory	Part Number	M1	M2	M3	M4	M5
Antenna Whip Tetra Hinged 380 – 430MHz	GMAE4253_	x	x	x	x	x
Antenna Tetra Glass Mount 410 – 430MHz	GMAE4254_	x	x	x	x	x
Antenna Tetra Panel/Roof Mount 380 – 430MHz	GMAE4255_	x	x	x	x	x
Antenna Tetra Magnetic Mount 380 – 400MHz	GMAE4256_	x	x	x	x	x
Antenna Tetra Magnetic Mount 410 – 430MHz	GMAE4257_	x	x	x	x	x
Antenna Tetra Covert Strip Glass 380 – 400MHz	GMAE4258_	x	x	x	x	x
Antenna Tetra Covert Strip Glass 410 – 430MHz	GMAE4259_	x	x	x	x	x
Antenna Tetra Low Profile 380 – 400MHz	GMAE4260_	x	x	x	x	x
Antenna Tetra Low Profile 410 – 430MHz	GMAE4261_	x	x	x	x	x
Antenna Tetra Wall Mount 380 – 400MHz	GMAE4262_	x	x	x	x	x
Antenna Tetra Wall Mount 410 – 430MHz	GMAE4263_	x	x	x	x	x
Antenna Tetra Motorcycle 380 – 400MHz	GMAE4266_	x	x	x	x	x
Antenna Tetra Motorcycle 410 – 430MHz	GMAE4267_	x	x	x	x	x
Antenna Mount Panel/Roof thickness up to 4mm	GMLN4276_	x	x	x	x	x
Antenna Mount Panel/Roof thickness up to 6mm	GMLN4277_	x	x	x	x	x
Antenna Mount Magnetic	GMLN4278_	x	x	x	x	x
Antenna Whip Tetra Flexible Hinged 380 – 400MHz	GMAE4279_	x	x	x	x	x
Antenna Whip Tetra Flexible Hinged 410 – 430MHz	GMAE4280_	x	x	x	x	x
Antenna Whip Tetra Flexible Hinged 380 – 430MHz	GMAE4281_	x	x	x	x	x
Antenna Whip Tetra Hinged 380 – 400MHz	GMAE4282_	x	x	x	x	x
Antenna Whip Tetra Hinged 410 – 430MHz	GMAE4283_	x	x	x	x	x
Antenna Whip Tetra Hinged 380 – 430MHz	GMAE4284_	x	x	x	x	x

Table 39: Label Identification

Accessory	Part Number	M1	M2	M3	M4	M5
Color code (white) bag of five	PMLN6335_	x	x	x	x	x
Color code (green) bag of five	PMLN6336_	x	x	x	x	x
Color code (red) bag of five	PMLN6337_	x	x	x	x	x
Color code (yellow) bag of five	PMLN6338_	x	x	x	x	x
Color code (blue) bag of five	PMLN6339_	x	x	x	x	x

Table 40: Ferrites for Ethernet Control Head

Accessory	Part Number	M1	M2	M3	M4	M5
Assembly, Ferrite Beads	PMLN6488_			x		

Table 41: GPS

Accessory	Part Number	M1	M2	M3	M4	M5
GPS Adaptor	PMKN4114_	x	x	x	x	x
Antenna Comb Tetra/GPS 380 - 430MHz SMA	GMAE4507_	x	x	x	x	x
Antenna GPS Panel / Roof Mount SMA	GMAG4253_	x	x	x	x	x
Antenna GPS Only Magnetic Mount SMA	GMAG4254_	x	x	x	x	x
Antenna Combined Tetra and GPS 350 - 390MHz	PMAE4493_	x	x	x	x	x

¹ Keep the GCAI connector cover supplied with the new Control Head.

² Requires Junction Box, GMLN5089_.

³ The cable, PMKN4104_, is only compatible when a Data Expansion Head Enhanced is not fitted as part of a remote mount configuration. In this configuration access to the TETRA PEI for IP Packet Data and SDS services is available on the Data Expansion Head Enhanced and the Active Data Cable PMKN4104_ cannot be used.

⁴ Used both for programming and data purposes.

**Caution:**

Complex installations requiring extended cable runs and Remote Mount Control Heads with Audio Accessories such as the Telephone Style Handset (HLN7016_) may benefit from careful routing of cables, and in some cases additional EMC reduction techniques such as using Ferrite/Toroid accessories. Suitable examples of these are as follows:

- Ferrite Clamp, Part No. 91012044001, 91012044002 or 91012044003
- Toroid, Part No. 01015001001

Chapter

3

Vehicle Preparation

General Guidelines for Radio Installation

This product must be installed in a vehicle in accordance with the vehicle manufacturer guidelines and the instruction detailed in this manual. Only the specified Motorola parts in this manual should be used.

Failure to do so could result in non-compliance to the Automotive Directive (72/245/EEC, as amended by 95/54/EC). For products fitted to two and three wheeled vehicles, Directive 97/24/EC applies.

This radio is only designed and certified to be used for terrestrial use only.

An accessory connector on the rear of the radio enables you to attach different accessories (see section “Accessory Connection Plan”).

A mobile microphone port on the front control head panel provides for the connection of various types of microphones.

You can install the radio in a vehicle, using one of these methods:

- Using the direct mounting trunnion and power cables supplied with a standard radio package.
- Remote mounted in the car radio cut-out (using the required din mounting kit PMLN5094), per ISO7736.
- Two types of the Remote Mount.



Note:

This radio is only made for 12 V power supply connection. In vehicles with 24 V power supply, a DC/DC converter is required. Use only DC/DC converter vendors, who provide a certification for vehicle installation and meet radio Power Supply specification. Motorola recommends a suitable range of DC/DC converters available from Alfatronix LTD UK. Some models are also available through Motorola Radio Aftermarket and Accessory Division (AAD), check with your Account Manager.

Be aware when planning the installation that there is a current consumption of max. 4.5A during PTT and up to 30mA (non-Ethernet)/ 90mA (Ethernet) when the radio is switched off. For Power Supply specification see [Model Specifications on page 19](#).

The radio should be mounted horizontally near the driver, so the driver can easily view, access, and operate the controls, microphone (location of the microphone clip), and other accessories. Before installation consider the following factors:

- Ensure that the location for the radio installation is not exposed to dirt and moisture.
- Verify that the space around the mobile unit is sufficient for air flow and installation.
- Check that there is enough routing space for the power cable connector and the antenna coaxial cable.
- Plan the best place to run connections to minimize pinching, crushing, and overheating of wires and cables.
- In a vehicle with an airbag, make sure that the mounting location of the radio, or of any radio accessory, is not in the deployment path of the air bag.

Uninstalling the Radio

Procedure:

- 1 Before uninstalling the radio:
 - a Switch the radio off.
 - b Wait for a minimum of 4 seconds after the radio switch is released.
 - c Disconnect the 13.2 V main power supply.
- 2 Alternatively, turn off the main power supply without switching OFF the radio.

Installing DC Power Cable



Caution: This radio must be operated only in negative ground electrical systems. Operating the radio on a positive ground system causes the cable fuse to short-circuit. Check the vehicle ground polarity before you begin the installation.

Procedure:

- 1 Determine a routing plan, keeping in mind where the radio is to be mounted and other factors:
 - a Whenever possible, avoid routing the cable above the catalytic converter.
 - b Make sure that the power cable never rests on sharp edges.
 - c Use grommets whenever a cable has to pass through a hole in a metal panel.



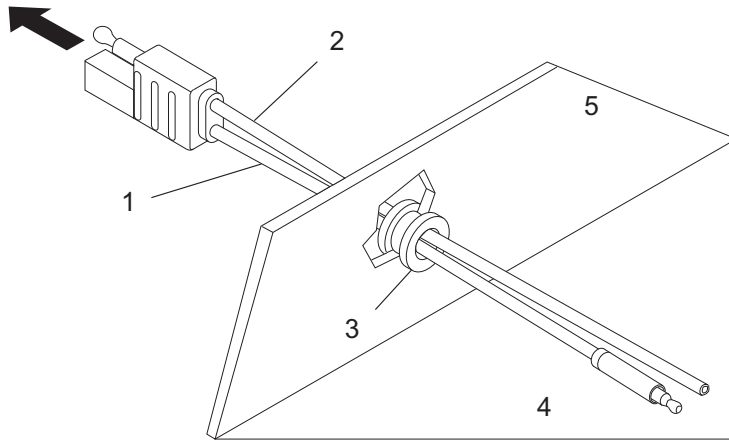
Caution: Improper handling with the power cable may cause shorting to ground. Ensure that during radio installation the power cable fuse is removed. Make sure that your power cable is not placed with the antenna in parallel. Interference can cause radio to hang.

- 2 Locate an existing hole with the grommet in the vehicle fire wall, or use a 9.5 mm (3/8-inch) bit to drill an access hole in the fire wall. Install a grommet with a 5 mm (3/16-inch) inside diameter into the hole to protect the power cable.



Caution: Be careful not to damage existing wires.

- 3 From inside the vehicle, feed the red and black leads (without the lugs attached) through the access hole and into the engine compartment.

Figure 1: Power Cabling Routing to Engine Compartment

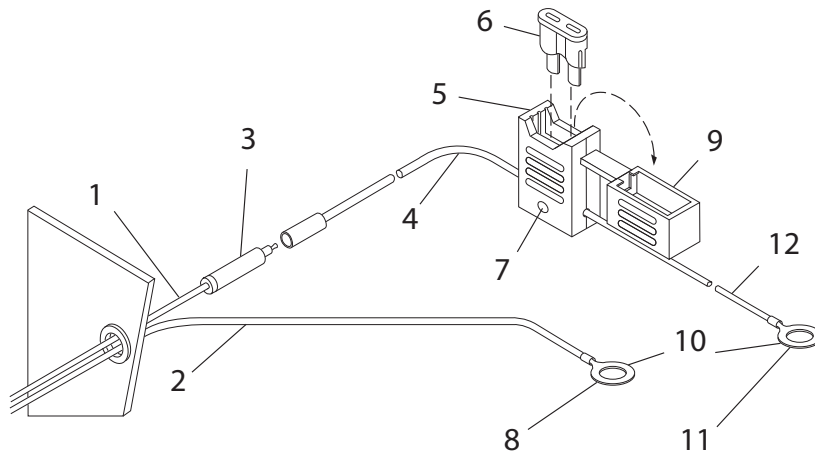
FL0830246-O

Number	Description
1	Red lead
2	Black lead
3	Grommet
4	Engine Compartment
5	Firewall

- 4 Connect the black lead of the DC power cable to the nearest vehicle chassis ground point (using the provided ring lug if necessary). Shorten the black lead to remove any excess cable.



Note: Locate a good vehicle ground point. The vehicle frame provides the best ground. Optimum radio performance can only be achieved with a low resistance ground connection. Verify that the connections between the battery negative terminal, vehicle chassis, and engine block have low resistance.

Figure 2: Power Cable Assembly

1FL08302470

Number	Description
1	Red lead
2	Black lead (min. 2,5 mm)
3	Adapter
4	Red lead (min. 2,5 mm)
5	Fuse holder
6	Fuse (10A)
7	Mounting hole
8	To battery (-) or chassis
9	Cover
10	Ring lugs
11	To battery (+)
12	Red lead (min. 2,5 mm)

- 5 Place the fuse holder close to the battery. Ensure that it is not near any hot engine component. Mount the fuse holder using its mounting hole and dress the wires as required.
- 6 Insert the stripped end of the red lead of the fuse holder into the ring lug hole and crimp it. Connect the fuse holder red adapter lead plug to the mating receptacle on the red lead of the power cable.
- 7 Connect the red lead ring lug from the fuse holder to the positive (+) battery terminal. Make sure that the adapter cable is connected to the main power cable red lead.
- 8 Carefully check that all connections are proper. Insert the fuse into the fuse holder and close the cover.

Postrequisites: See the following table for power cables available for this radio.

DC Power Cables

Table 42: DC Power Cables

Number	Description	Rating
GKN6270_	Power Cable to battery with fuse 10 A	12V Power Cable to Battery, Length: 3 m
GKN6274_	Power Cable to battery with fuse 10 A	12V Power Cable to Battery, Length: 6 m
6500139767	Fuse 10 A for Power Cable	
6580283E02	Fuse 4 A for Ignition Sense Cable	
6505663R02	Fuse 2 A for Y-Cable	



Caution: In cases of blown fuses, replace only with fuses of identical value. Never insert ones of different values.



Note: For more information on ignition cables, see section “Installing Ignition Sense Cable”. The Ignition Sense Cable allows the radio to be turned on and off by the vehicle ignition switch.

Installing Ignition Sense Cable

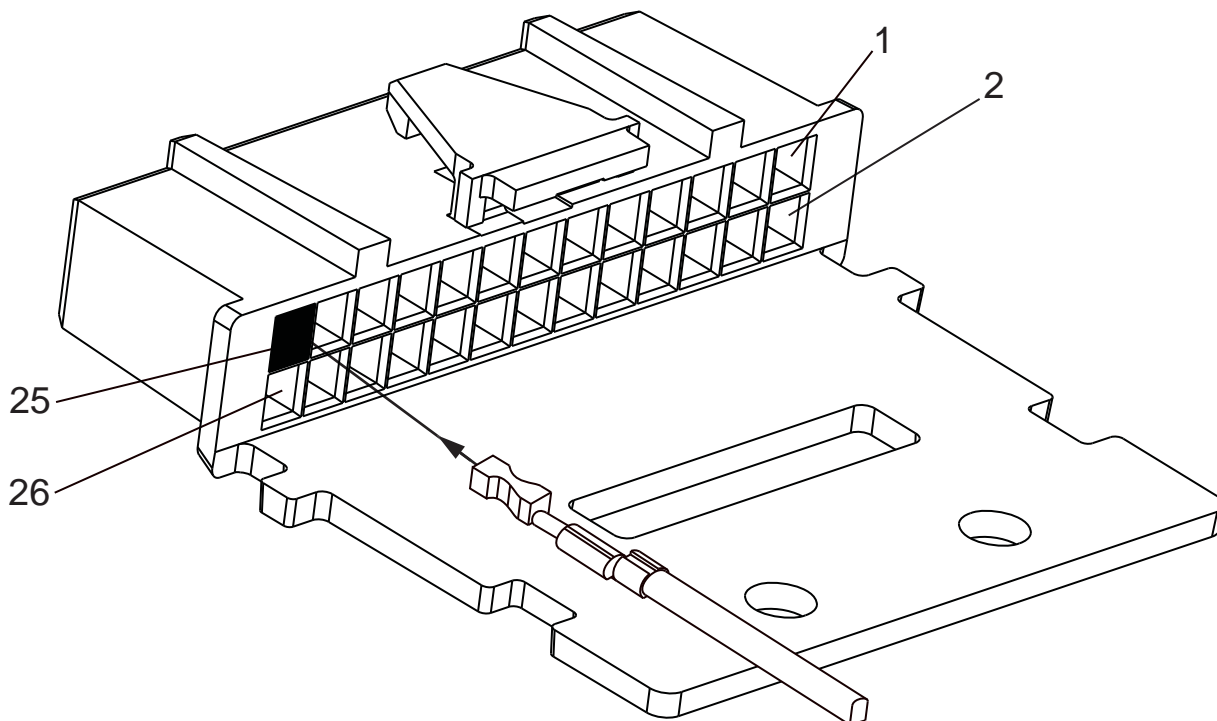
The PMKN4120_ Ignition Sense Cable allows the terminal to be turned on and off by the vehicle ignition switch.



Caution: In cases of blown fuses, replace only with fuses of identical value. Never insert ones of different values. Ensure that the fuse is removed during cable installation.

Procedure:

- 1 Plug the lead of the Ignition Sense Cable with the crimped on the terminal into #25 socket of the accessory plug.
- 2 Route and secure the cable with the attached tie wrap.
- 3 Connect the other lead of the accessory cable to the ignition switch of the vehicle.
- 4 Insert the fuse into the fuse holder and close the cover.

Figure 3: Accessory Plug

Caution: If the ignition line is not used, it **MUST** be grounded. Interference can cause radio to hang.



Note:

The terminal accepts a 12 volt or 24 volt input for the Ignition Sense line. For 24 volt installations convert the main supply from 24 to 12 volts. For information see [General Guidelines for Radio Installation on page 31](#). Motorola recommends a suitable range of DC/DC converters available from Alfatronix LTD UK. Some models are also available through Motorola Radio Aftermarket and Accessory Division (AAD), check with your Account Manager.

The ignition sense cable kit contains a thin cable and a fuse holder.

Ignition Sense Cables

Table 43: Ignition Sense Cables

Number	Description	Rating
PMKN4120_	Ignition Sense Cable with fuse 4 A	Ignition Sense Cable, Length: 3 m
6580283E02	Fuse 4 A for Ignition Sense Cable	

Chapter 4

Radio Installation

Dashboard Installation

This section explains Dashboard Installation — M1.

Installing the Radio in an Automotive Dashboard

Procedure:

- 1 Open out the radio cut-out (DIN Slot) in the dashboard.
- 2 Remove the top plastic cover off the radio.
- 3 Insert the mounting frame into the cut-out and retain it by bending back the relevant fixing tabs, using all 6 where possible, to hold it in place.



Note:

The tabs are easily bent back by twisting a large flat-bladed screwdriver into the slot behind the tabs. For more secure installation, the top and rear of the frame should also be secured with screws. The demount tool can be used as an aid to mounting as well as demounting.

Mounting the Radio in the Frame

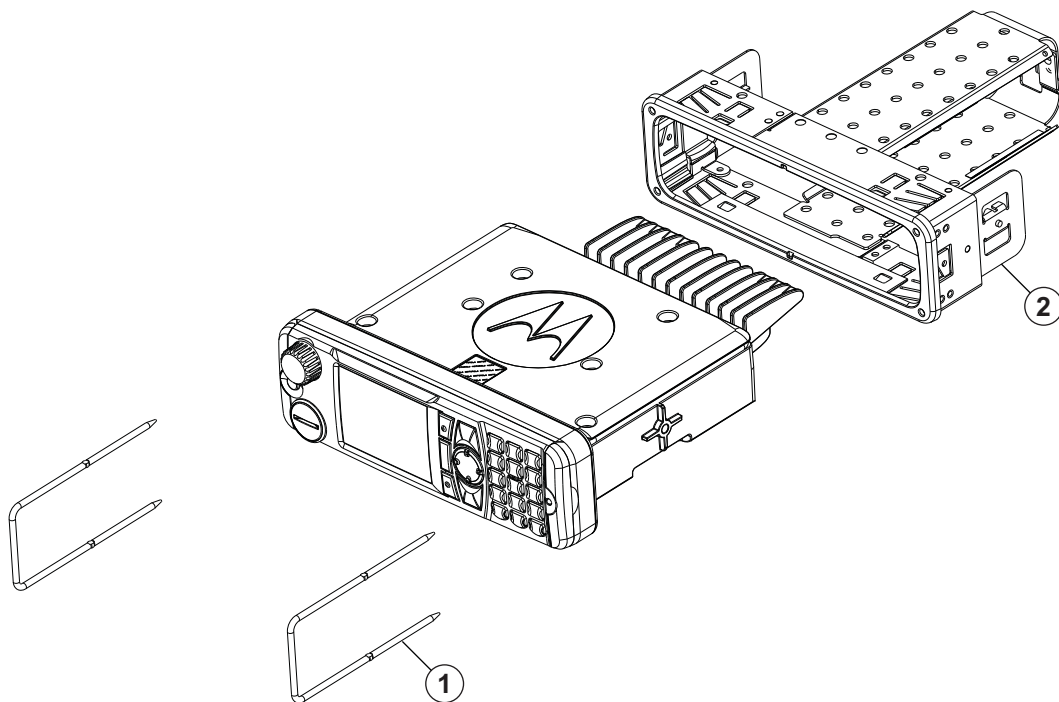
Procedure:

- 1 Provide the electrical connections to the radio for power, antenna, and accessories.
- 2 Plug in all the connectors and push the radio with its Remote Head Enhanced, or alternatively the Data Expansion Head Enhanced, firmly onto the mounting frame until the two springs snap into place.



Note: The fixing tabs should be checked for tightness each time the radio is removed. The tabs are easily tightened by twisting a large flat-bladed screwdriver in the slot behind the tabs. The frame is not designed for daily mounting and demounting.

Figure 4: Radio with Mount Kit



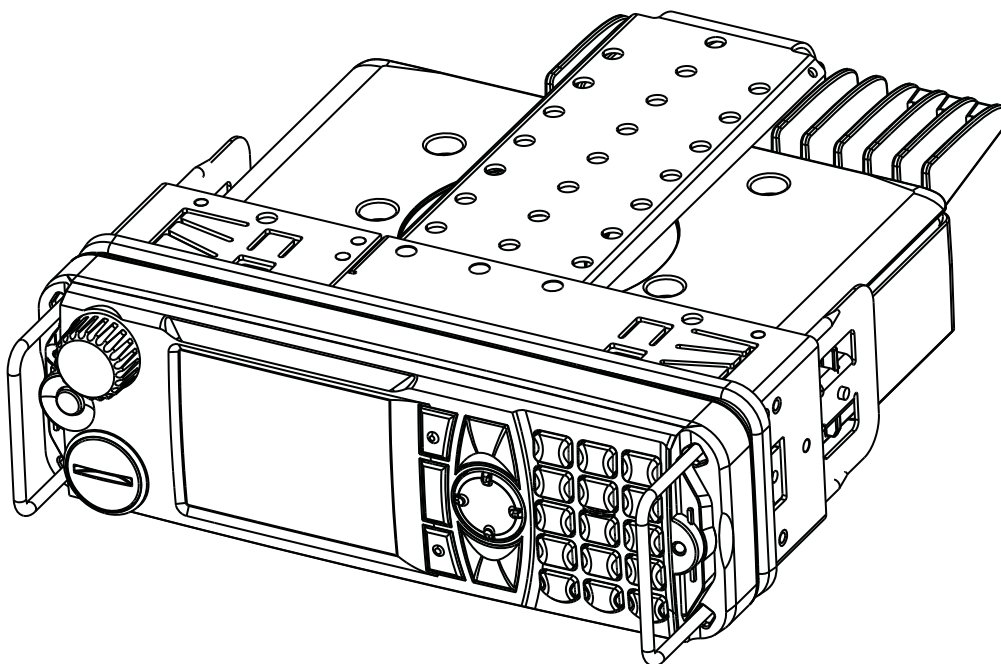
Number	Description
1	Demount Tool (8166514A01) – included in DIN Mount Kit
2	Din Mount Kit PMLN5094_ (includes Demount Tool)

Removing the Radio from the Frame

Procedure:

- 1 Remove both rubber side caps from the Enhanced Control Head.
- 2 Insert the demount tool into the two openings.

Figure 5: Radio with Demount Tools



- 3 Push the demount tools through the openings in the frame.
- 4 Slide out the radio.

Desktop Installation

The Desktop Station option provides the terminal with the desk microphone, power supply, desk top tray (without a speaker) and external loudspeaker.



Caution: If an outdoor antenna is used a proper grounded Lightning Protector with Quarter-Wave Shorting Stub must be inserted between the outdoor antenna and the transceiver antenna input. The line voltage power supply shall have a proper ground connection (see IEC61312-1). The installation must meet the requirements of any applicable local codes and regulations.

Desktop Installation Planning

Planning is the key to fast, easy terminal installation. Before a hole is drilled or a wire is run, inspect the location and determine how and where you intend to mount the antenna, terminal, and accessories. Plan wire and cable runs to provide maximum protection from pinching, crushing, and overheating. Only competent personnel, able to ensure that the complete installation fulfils its regulatory requirements, such as EMC (Electro Magnetic Compatibility) and IEC (International Electrotechnical Commission) can plan the installation.

Desktop Installation

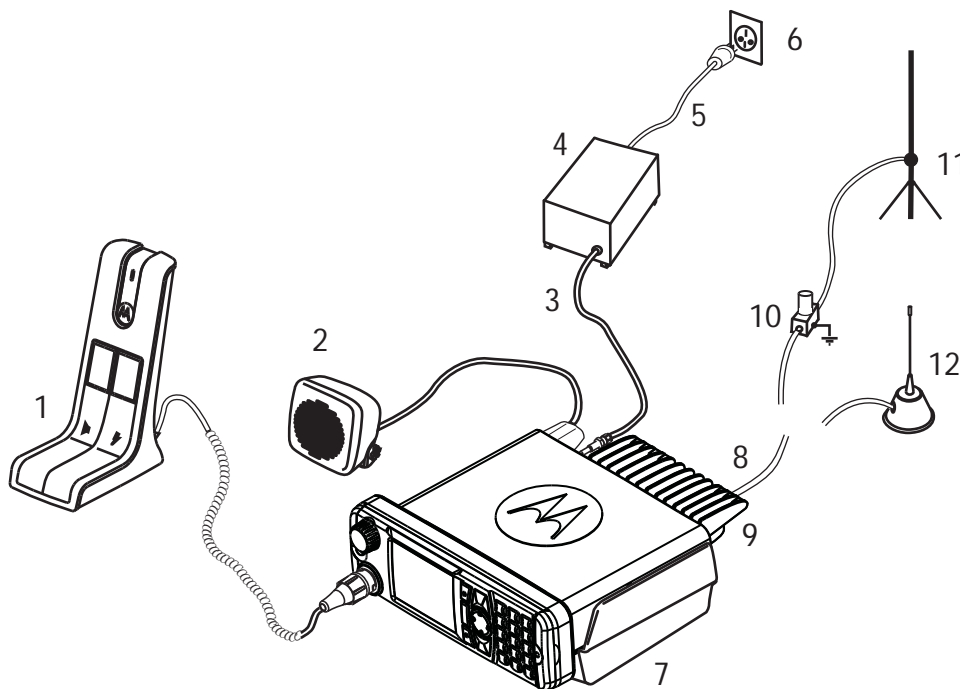
When and where to use: Follow these steps to install the desktop station.

Procedure:

- 1 Be sure that line voltage power is available.
- 2 Make sure that sufficient air can flow around the terminal to permit adequate cooling.
- 3 Choose a flat surface for the desktop tray and external loudspeaker.
- 4 Be sure that the mounting surface is able to adequately support the weight of the terminal and tray.

- 5 In case of an outdoor antenna, choose a location for the terminal as close as possible to the antenna cable inlet of the building. Make sure that the installation of the surge protector is in accordance with the manufacturer specifications and safety hints. The line voltage power supply shall be grounded properly.

Figure 6: Typical Desktop Mounting



Number	Description	Part Number
1	Desk Microphone	RMN5106_
2	Loudspeaker	RSN4002_ or RSN4004_
3	DC Power Cable	GKN6266_
4	Power Supply	GPN6145_ or HPN4007_
5	Line Cord with Ground	
6	Wall Outlet	
7	Desktray or Desktray with inbuilt Loudspeaker	GLN7318_ or RSN4005_
8	Antenna Cable	
9	Antenna Connector BNC	
10, 11, 12	Typical Antennas: Lightning Protector with Quarter-Wave Shorting Stub, Outdoor Antenna, Indoor Antenna	

Table 44: Associated Components

Item	Description	Part Number
1	Desktop Microphone	RMN5106_
2	External Speaker 13 W	RSN4002_
3	Small Loudspeaker 5 W	RSN4004_

Table continued...

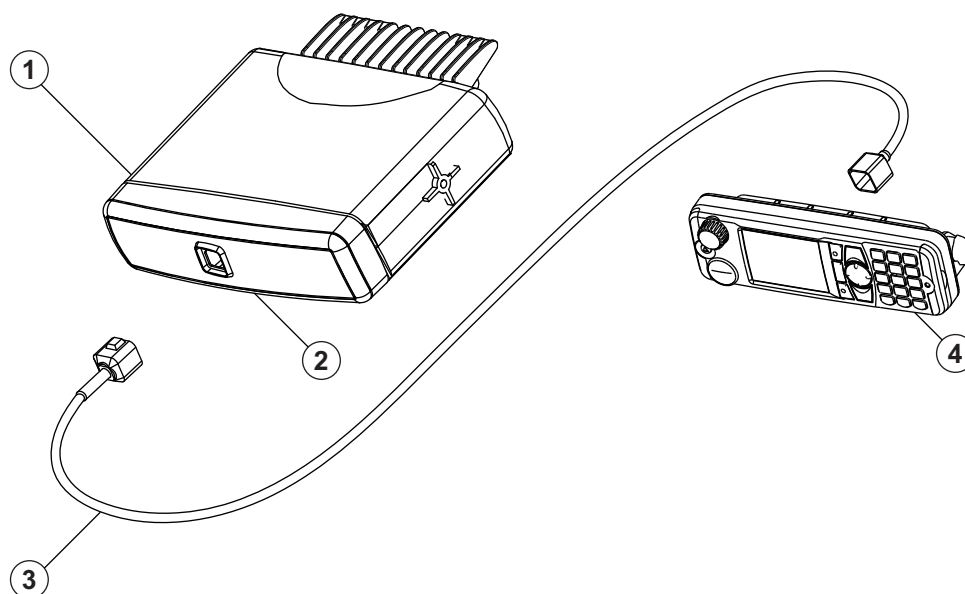
Item	Description	Part Number
4	Desktop Tray w/o speaker	GLN7318_
5	Desktop Power Supply Unit or Power Supply 14V 15A UNI 117/240 VAC	GPN6145_ or HPN4007_
6	Power cable (power supply to desktop mobile)	GKN6266_
8	Lightning Protector with Quarter-Wave Stub Protector in the appropriate frequency range	

MTM800FuG Remote Mount Installation

There are two types of remote mount installations:

- Remote Mount Installation
- Remote Mount Ethernet Installation

Figure 7: Remote Mount Installation with Remote Head Enhanced/Data Expansion Head Enhanced




Number	Description
1	Transceiver
2	Remote Expansion Head PMLN4904_
	 Note: Possible use of Data Expansion Control Head Enhanced PMLN4908_.
3	Cable Expansion Head to Control Head
4	Remote Mount Enhanced Control Head

Table 45: Associated Components for Remote Mount

Item	Description	Part Number
1	Remote Mount Cable – 3 m, 5 m, 7 m, 10 m	RKN4077_, RKN4078_, RKN4079_, PMKN4020_
2	Remote Head Enhanced or Data Expansion Head Enhanced	PMLN4904_ or PMLN4908_

**Note:**

Vehicle installations require attention to the effects of EMC and over long cable runs additional protection may be required. Motorola has suitable suppression kits such as Part Number 01015001001 Toroid EMC Suppression Kit.

Wind the Remote Mount Cable ten times around each toroid.

Place each toroid 30.0±2.5 cm respectively from the expansion head and the control head.

Winding at both ends reduces the effective cable length approximately by 0.8 m.

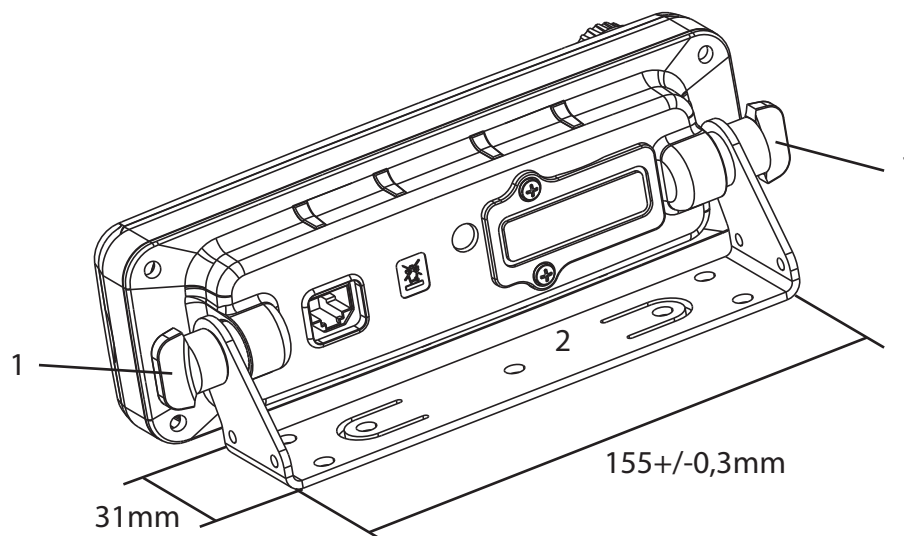
Fix the toroids firmly to a stable surface once the Remote Mount Cable is connected.

Installing the Remote Mount Enhanced Control Head onto the Remote Mount Trunnion

When and where to use: Follow these steps to install the Remote Mount Enhanced Control Head onto the Remote Mount Trunnion.

Procedure:

- 1 Slide the Remote Mount Enhanced Control Head onto the mounting trunnion until it snaps into place.
- 2 Tighten the screws at both sides of the trunnion. After a few turns, tilt the control head for an optimum view of the display. Then, complete the tightening of the screws.

Figure 8: Remote Mount Enhanced Control Head Installation with Remote Mount Trunnion

1 and 2 – Remote Mount Trunnion Kit (PMLN4912)

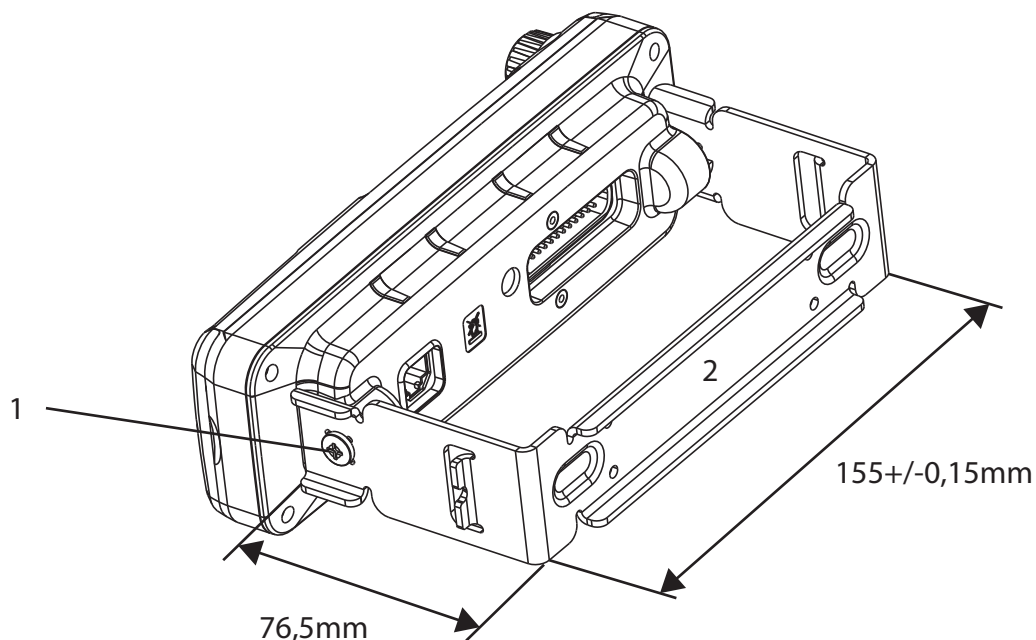
Installing the Remote Mount Enhanced Control Head in a DIN Mount Bracket

When and where to use: Follow these steps to install the Remote Mount Enhanced Control Head in a DIN Mount Bracket.

Procedure:

- 1 Slide the Remote Mount Enhanced Control Head onto the DIN Mount Bracket until it snaps into place.
- 2 Tighten the screws at both sides of the DIN Mount Bracket.

Figure 9: Remote Mount Enhanced Control Head Installation with DIN Mount Bracket



1 and 2 – DIN Mount Bracket Kit (PMLN5093)

Inserting the Remote Mount Enhanced Control Head with the DIN Mount Bracket into the DIN Frame

When and where to use: Follow these steps to insert the remote mount enhanced control head with the DIN mount bracket.

Procedure:

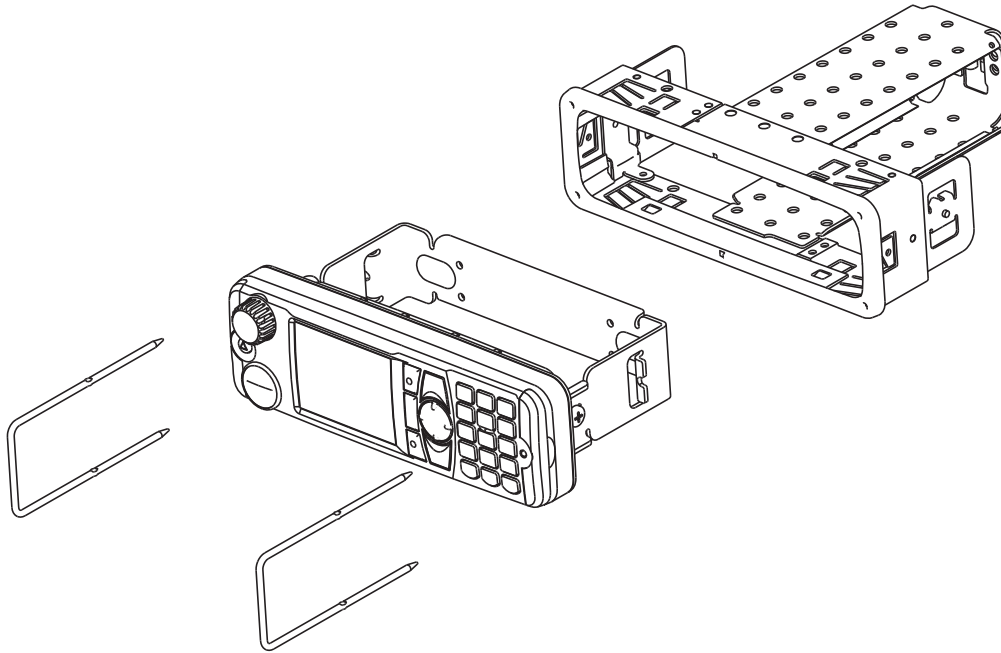
- 1 Insert the mounting frame into the DIN Mount Bracket and retain it by bending back the relevant fixing tabs.
- 2 Use all six tabs, if necessary, to hold it in place.



Note:

The tabs are easily bent back by twisting a large flat-bladed screwdriver into the slot behind the tabs. For a more secure installation, the top and rear of the frame should also be secured with screws. The demount tool can be used as an aid to mounting as well as demounting.

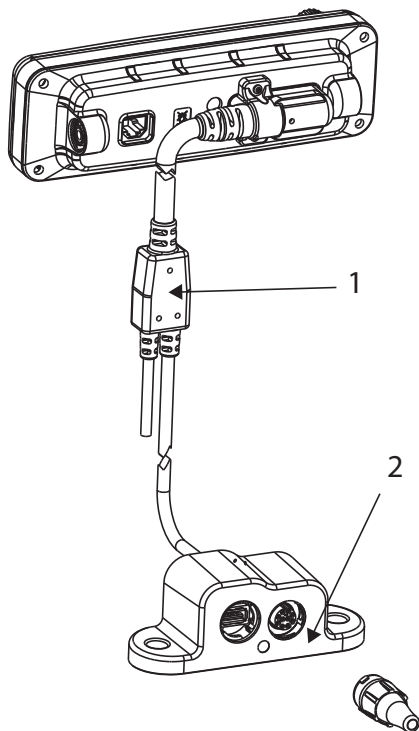
Figure 10: Radio with Mounting Bracket and Mounting Kit



Adding Extra Accessories to the Remote Head by Expansion Cable

The Accessories Expansion Cable (PMKN4029_) allows to have extra accessories via the Mobile Microphone Port (MMP).

Figure 11: The Accessories Expansion Cable with the Mobile Microphone Port (MMP)



Number	Description
1	Accessories Expansion Cable PMKN4029_/PMKN4056_
2	Mobile Microphone Port

Installing the Accessories Expansion Cable

When and where to use: Follow these steps to install the accessories expansion cable.

Procedure:

- 1 Plug in the Accessories Expansion Cable to the subD Port of the Remote Mount Enhanced Control Head.
- 2 Tighten the screws at the subD connector to secure the Accessories Expansion Cable in place.
- 3 The Mobile Microphone Port (MMP)/USB port module can be mounted to various surfaces. Tighten the two screws at both sides of the module to fix it securely in place.



Note: For more information on the connector pin functions of the Accessories Expansion Cable and the Mobile Microphone Port (MMP)/USB Port Module, see section “ Remote Mount Enhanced Control Head/Motorcycle Mount Enhanced Control Head-to-Accessories (Accessories Expansion Cable)”.

MTM800 FuG ET Remote Mount Installation

The MTM800 FuG ET can be configured in one of the following five configurations:

- Remote Mount installation with Ethernet Control Head (eCH) PMWN4024_
- Remote Mount installation with Ethernet Telephone Style Control Head (TSCH) PMWN4025_
- Dual Control Head with two eCH
- Dual Control Head with two TSCH
- Dual Control Head with mixed eCH and TSCH

Table 46: MTM800 FuG ET Configurations — Graphics Description

Number	Description
1	MTM800 FuG ET Transceiver
2	PMLN7009_ – Ethernet Expansion Head
3	PMWN4025_ – Telephone Style Control Head (TSCH), Roman
4	PMWN4024_ – Ethernet Control Head (eCH) Roman
5	91012044001 – Ferrite Clamps



Important: All Ethernet cables shown in the following illustrations require three ferrite clamps, Part Number 91012044001, with two turns of wire around them. First ferrite clamp shall be installed manually approximately 60 cm away from the Control Head and with the minimum spacing of 3 cm in between the following 2 ferrite clamps. For single Control Head installations, the Control Head shall be connected to port 1 of the Ethernet Expansion Head.

Figure 12: Remote Mount installation with Ethernet Control Head (eCH) PMWN4024_

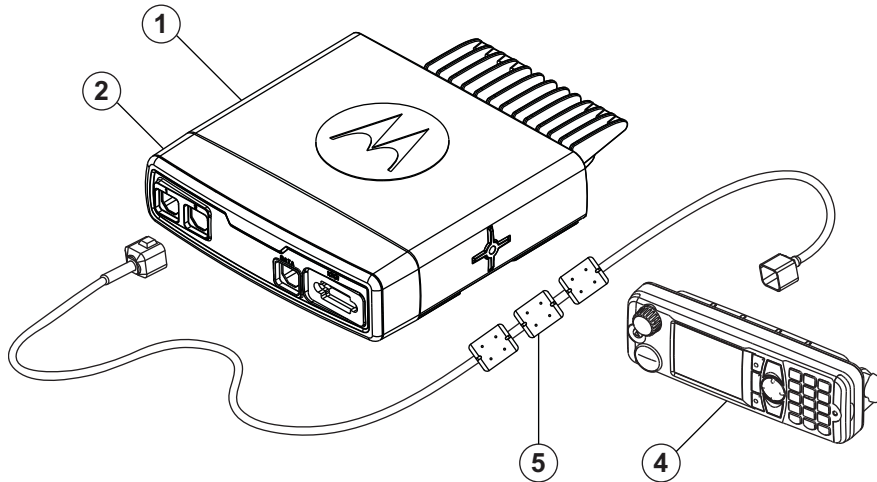


Figure 13: Remote Mount installation with Ethernet Telephone Style Control Head (TSCH) PMWN4025_

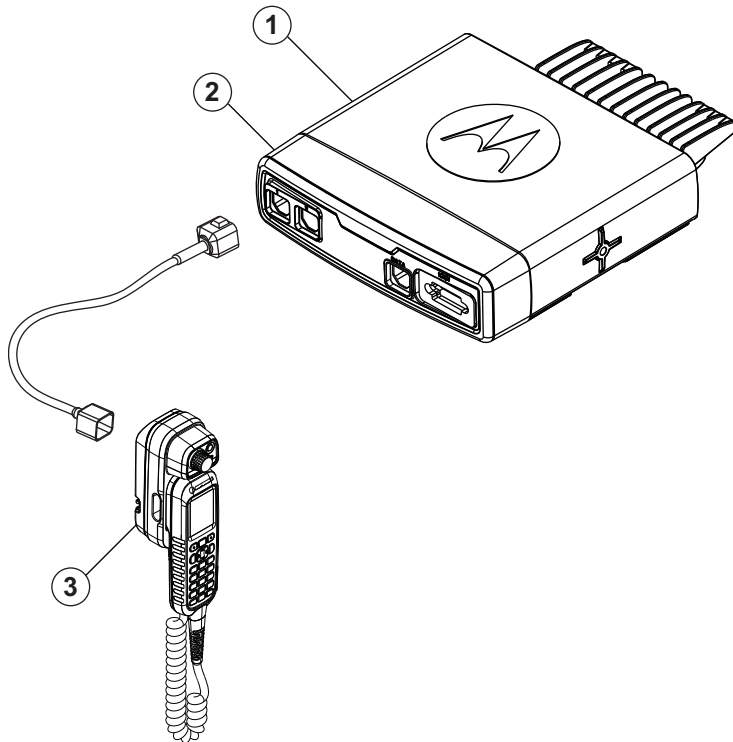


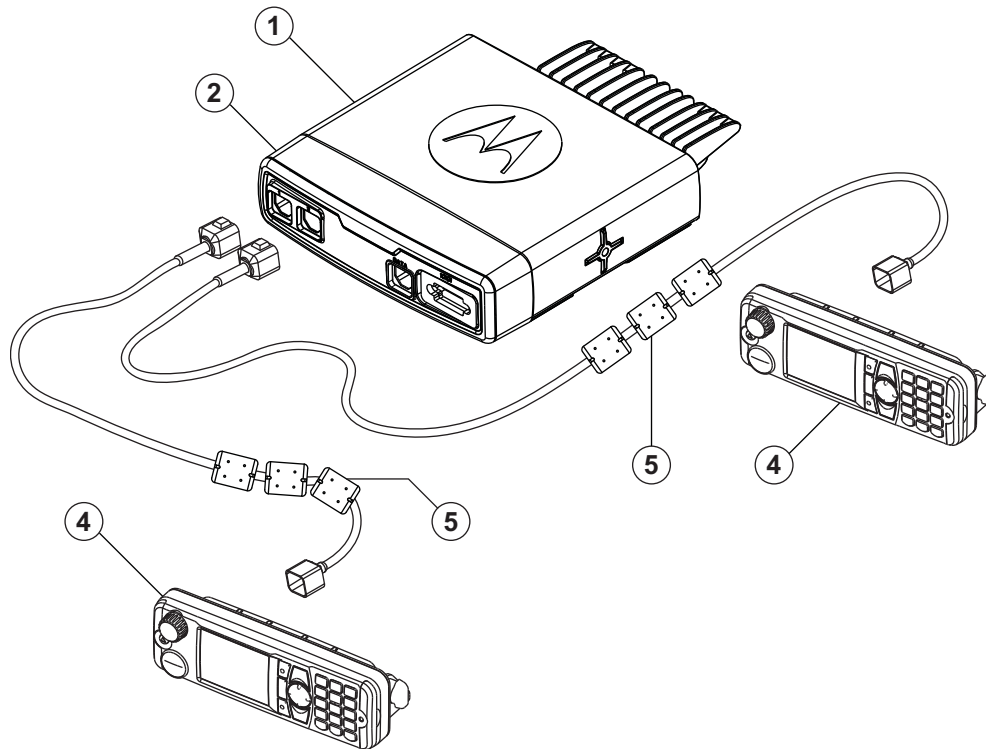
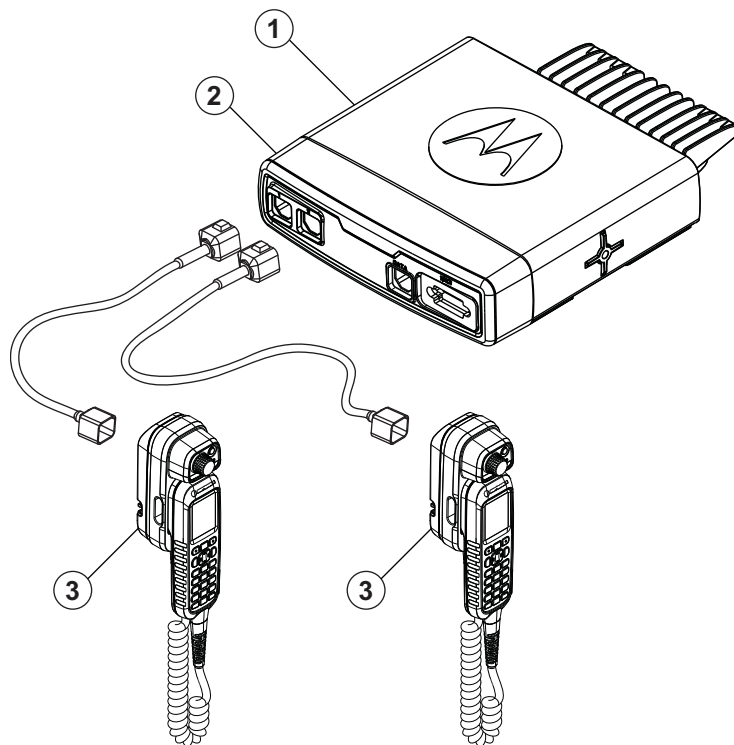
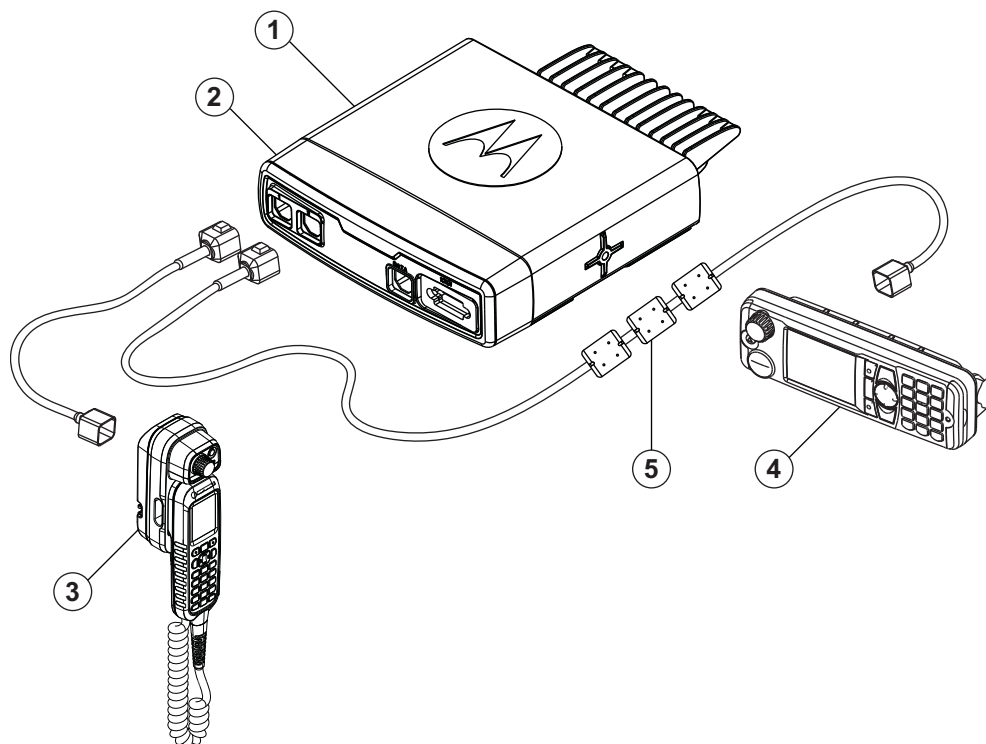
Figure 14: Dual Control Head with two eCH**Figure 15: Dual Control Head with two TSCH**

Figure 16: Dual Control Head with mixed eCH and TSCH

Important: If you are typing a message on one Control Head, key presses (except Emergency) are ignored on the other CH. Besides that, it is possible to turn off the radio using the Power Off button of the inactive Control Head.

Ethernet Cables



Warning: Ethernet Expansion Heads are only compatible with Ethernet Remote Heads. Do not mix the Ethernet control head with non-Ethernet control heads. Also ensure use of the proper Ethernet cables to connect Ethernet Expansion Head with TSCH and eCH. If not connected properly, transceiver can be broken.

Table 47: Ethernet Cables

Item	Part Number
Tetra Mobile Ethernet Cable, 3m	PMKN4141_
Tetra Mobile Ethernet Cable, 5m	PMKN4140_
Tetra Mobile Ethernet Cable, 7m	PMKN4139_
Tetra Mobile Ethernet Cable, 10m	PMKN4138_
Tetra Mobile Ethernet Cable, 12m	PMKN4136_
Tetra Mobile Ethernet Cable, 15m	PMKN4146_
Tetra Mobile Ethernet Cable, 40m	PMKN4135_

Figure 17: Ethernet Cable (PMKN4141_, PMKN4140A_, PMKN4139_, PMKN4138_, PMKN4136_, PMKN4146_)

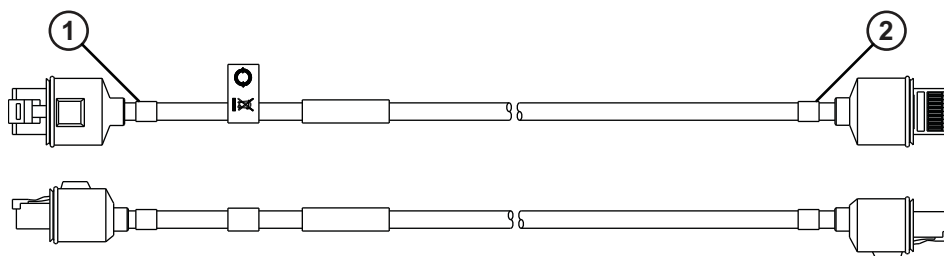
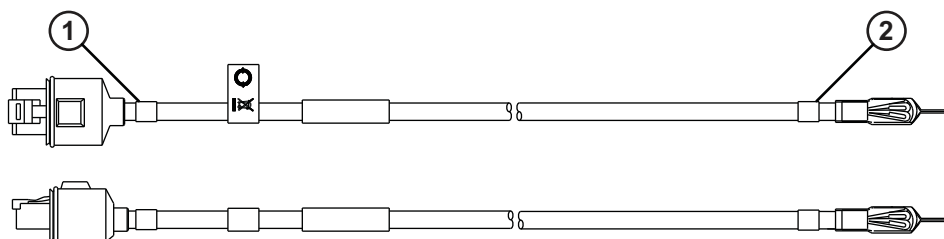



Figure 18: Ethernet Cable PMKN4135_




Note: For PMKN4135_, the open-end wire for "CH" end shall be terminated with the in-box RJ50 plug based on the "Ethernet Cable Pin Diagram". Use a 10P10C Crimping Tool to correctly crimp the RJ50 plug to the open end of the cable, after it has been routed from the transceiver to the control head.

Number	Description
1	EEH mark
2	CH mark



Note: Requires three (3) Ferrite Clamps PN 91012044001. Manual installation is required on all Ethernet cables. Clamps are installed on the CH end with 2-turns of wire around each clamp.



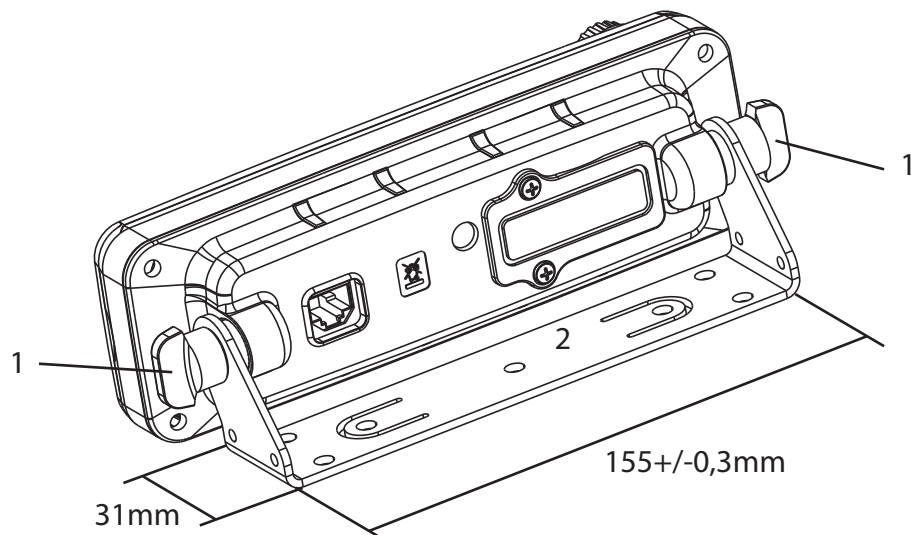
Warning: Using the 'EEH' and 'CH' marks ensure the Ethernet Cables are connected in the right way.

Installing the Remote Mount Ethernet Control Head (eCH) onto the Remote Mount Trunnion

When and where to use: Follow these steps to install the Remote Mount Enhanced Control Head onto the Remote Mount Trunnion.

Procedure:

- 1 Slide the Remote Mount Enhanced Control Head onto the mounting trunnion until it snaps into place.
- 2 Tighten the screws at both sides of the trunnion. After a few turns, tilt the control head for an optimum view of the display. Then, complete the tightening of the screws.

Figure 19: Remote Mount Enhanced Control Head Installation with Remote Mount Trunnion

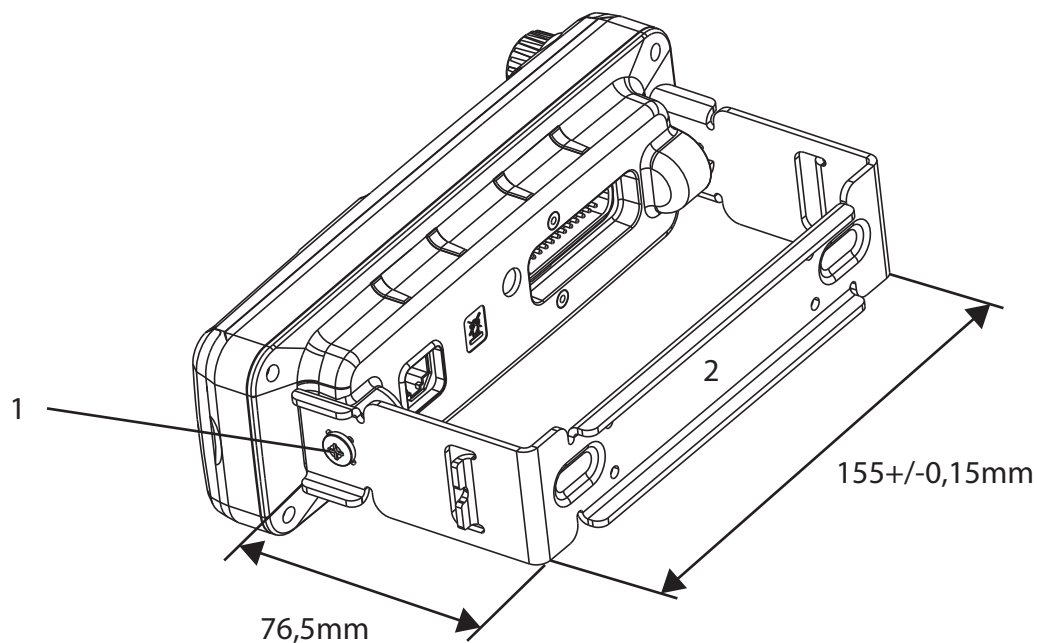
1 and 2 – Remote Mount Trunnion Kit (PMLN4912_)

Installing the Remote Mount Ethernet Control Head (eCh) in a DIN Mount Bracket

When and where to use: Follow these steps to install the Remote Mount Enhanced Control Head in a DIN Mount Bracket.

Procedure:

- 1 Slide the Remote Mount Enhanced Control Head onto the DIN Mount Bracket until it snaps into place.
- 2 Tighten the screws at both sides of the DIN Mount Bracket.

Figure 20: Remote Mount Enhanced Control Head Installation with DIN Mount Bracket

1 and 2 – DIN Mount Bracket Kit (PMLN5093_)

Inserting the Remote Mount Ethernet Control Head (eCH) with the DIN Mount Bracket into the DIN Frame

When and where to use: Follow these steps to insert the remote mount enhanced control head with the DIN mount bracket.

Procedure:

- 1 Insert the mounting frame into the DIN Mount Bracket and retain it by bending back the relevant fixing tabs.
- 2 Use all six tabs, if necessary, to hold it in place.



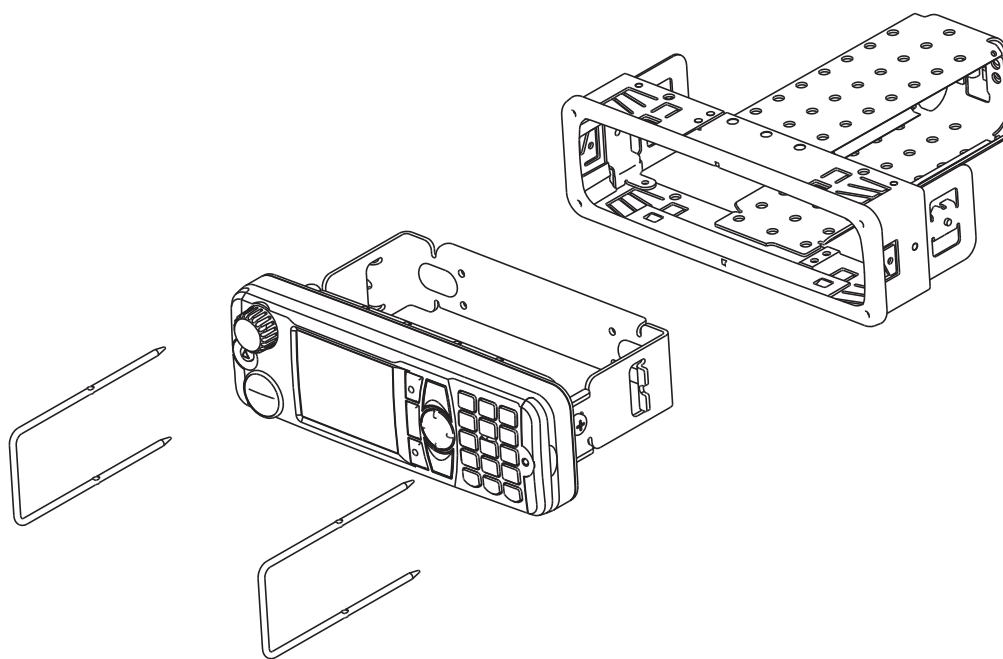
Note:

The tabs are easily bent back by twisting a large flat-bladed screwdriver into the slot behind the tabs.

For a more secure installation, the top and rear of the frame should also be secured with screws.

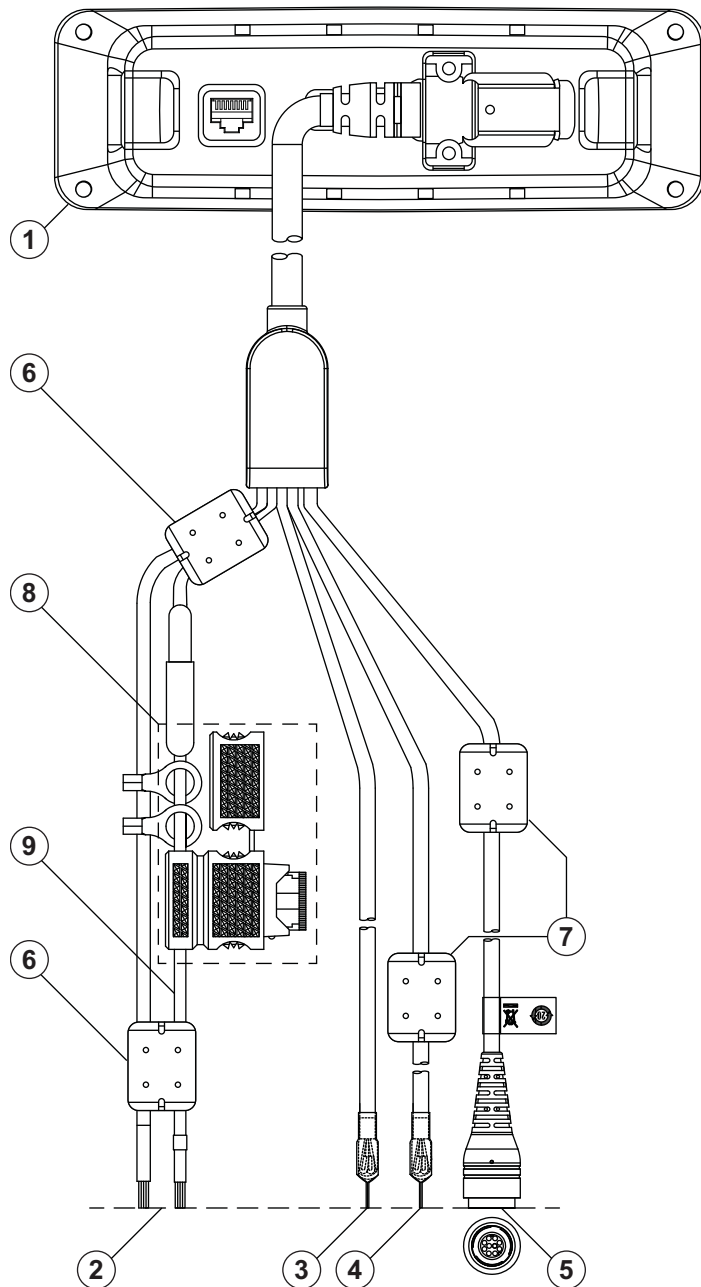
The demount tool can be used as an aid to mounting as well as demounting.

Figure 21: Mounting the Remote Mount Enhanced Control Head with the DIN Mount Bracket into the DIN Frame



Adding Extra Accessories to the Ethernet Control Head (eCH) and Telephone Style Control Head (TSCH)

The Accessories Expansion RECH Y-Cable (PMKN4133_) allows to connect extra accessories.

Figure 22: The Accessories Expansion RECH Y-Cable

Number	Item
1	Ethernet Remote Head with the cable connected (by the D-25 Connector)
2	Ground Wire and External Power Wire, Input supply 12V/24V: 2A — These connections correspond to P4 and P5 detailed in Figure 68: RECH Y-Cable Pin Diagram on page 103 which provides the Pin Diagram of Cable PMKN4133. P4 is the 12/24V positive DC supply input and P5 is Ground. This supply is for the Audio Power Amplifier and is required if a Loudspeaker is to be connected to the RECH. This is the only Power connection that allows 12 or 24V operation, all other Power supplies must be 12V.
3	Speaker Wires — These connections correspond to P6 detailed in Figure 68: RECH Y-Cable Pin Diagram on page 103 and correspond to the Loudspeaker output of the RECH. The Au-

Table continued...

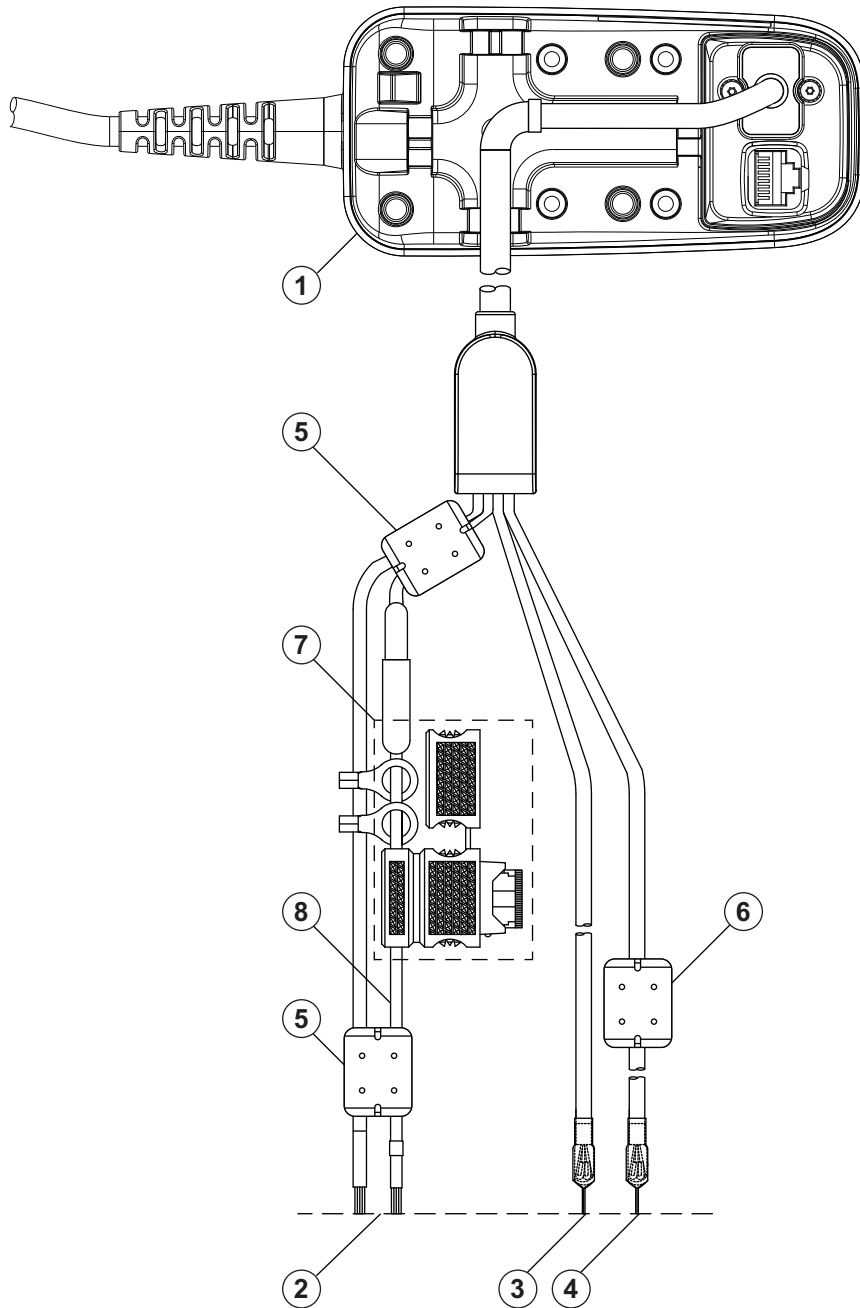
Number	Item
	dio Amplifier which supplies this output requires an independent DC Supply, refer to 2 above. The use of connector kit PMLN6487_ allows a plug and play installation of the associated Loudspeakers such as RSN4002_.
4	Free-end Wires. If used during installation, heat-shrink wrap unused wires to prevent shorting. These connections correspond to P3 detailed in Figure 68: RECH Y-Cable Pin Diagram on page 103 . These connections provide multiple functions including Hands Free Microphone (HF1 and HF2) these two inputs are individually screened and include a common drain-Ground, PTT1 and PTT2, Power On, Rear Audio and the available GPIO lines. The use of Impres Visor Microphone RMN5054_ also requires the One Wire bus connection provided on this cable.
5	Rear GCAI Connector. These connections correspond to P2 detailed in Figure 68: RECH Y-Cable Pin Diagram on page 103 and this is the Ten (10) pin Rear GCAI Accessory connector which enables compatible Accessories such as the RMN5107_ Fist Microphone to be connected to the rear of the Control Head.
6	Ferrite Clamp, PN 91012044002. Manual installation is required. Clamps are installed with 2-turns of wire around the clamp.
7	Ferrite Clamp, PN 91012044003. Manual installation is required. Clamps are installed with 2-turns of wire around the clamp.
8	Fuse of 2A, PN 65012023001
9	Label for Y-cable power rating

**Note:**

See the Appendix for wiring and pin out information.

Manual installation required. Clamps are fixed with 2-turns of wire.

The Accessories Expansion TSCH Y-Cable (PMKN4134_) allows to connect extra accessories.

Figure 23: The Accessories Expansion TSCH Y-Cable

Number	Item
1	Telephone Style Control Head
2	Ground Wire and External Power Wire, Input supply 12V/24V: 2A. These connections correspond to P3 and P4 detailed in Figure 69: TSCH Y-Cable Pin Diagram on page 103 which provides the Pin Diagram of PMKN4134. P3 is the 12/24V positive DC supply input and P4 is the Ground. This supply is for the Audio Power Amplifier and is required if a Loudspeaker is to be connected to the TSCH. Note this is the only Power connection that allows 12 or 24V operation all other Power supplies must be 12V.

Table continued...

Number	Item
3	Speaker Wires — these connections correspond to P5 detailed in <i>Figure 69: TSCH Y-Cable Pin Diagram on page 103</i> and correspond to the Loudspeaker output of the TSCH. The Audio Amplifier, which supplies this output, requires an independent DC Supply, refer to 2 above. The use of connector kit PMLN6487_ allows a plug and play installation of the associated Loudspeakers such as RSN4002_.
4	Free-end Wires. If used during installation, heat-shrink wrap unused wires to prevent shorting. These connections correspond to P2 detailed in <i>Figure 69: TSCH Y-Cable Pin Diagram on page 103</i> . These connections provide multiple functions including Hands Free Microphone PTT1 and PTT2, Emergency. The use of Impres Visor Microphone RMN5054_ also requires the One Wire bus connection provided on this cable.
5	Ferrite Clamp, PN 91012044002. Manual installation is required. Clamps are installed with 2-turns of wire around the clamp.
6	Ferrite Clamp, PN 91012044003. Manual installation is required. Clamps are installed with 2-turns of wire around the clamp. For easier installation on Free-end wires, insulation jacket should be removed.
7	Fuse of 2A, PN 65012023001
8	Label for Y-cable power rating



Note: Do not over torque the TSCH Y-cable screw. Recommended screw torque is 2.0+/-0.1 lb-in.

Telephone Style Control Head (TSCH)

The Ethernet Style Handset can be installed both horizontally and vertically. When installing the telephone style control head consider the wide viewing angle of the color display and the best direction to disengage the handset from the cradle. TSCH Handset & Cradle Part Number: PMWN4025_.

Figure 24: Telephone Style Control Head (TSCH) Cradle

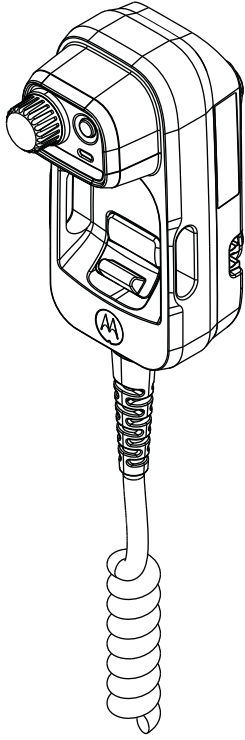
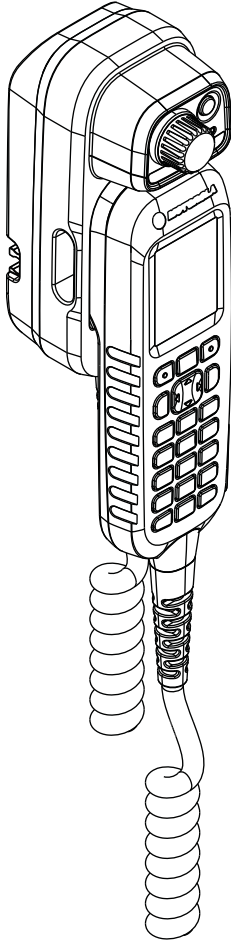
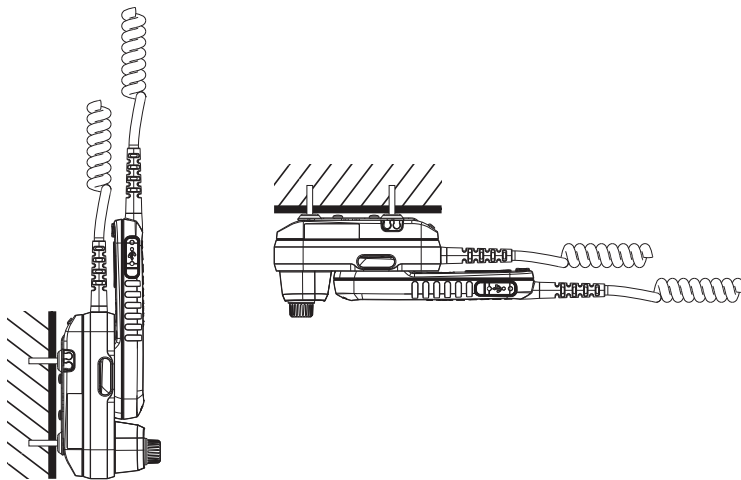


Figure 25: TSCH Handset and Cradle

Important: Do not install the TSCH in the following ways.

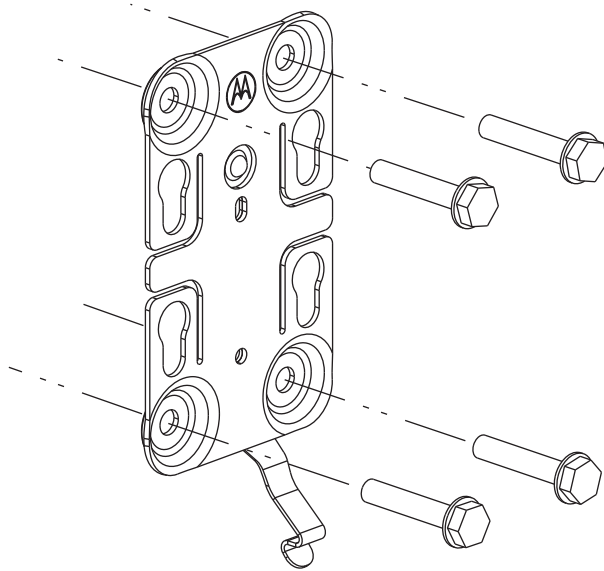
Figure 26: TSCH Unsupported Installation

Mounting TSCH Cradle onto Slim Bracket

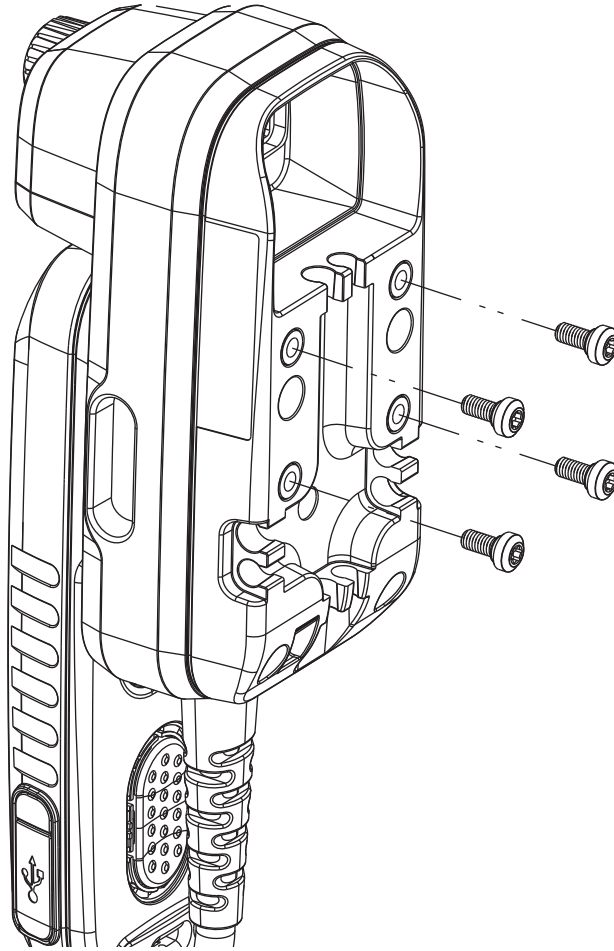
Procedure:

- 1 Place the bracket on intended location and tighten the four Screws (Motorola Part Number: 0312002B14) on screw holes as illustrated in the following picture.

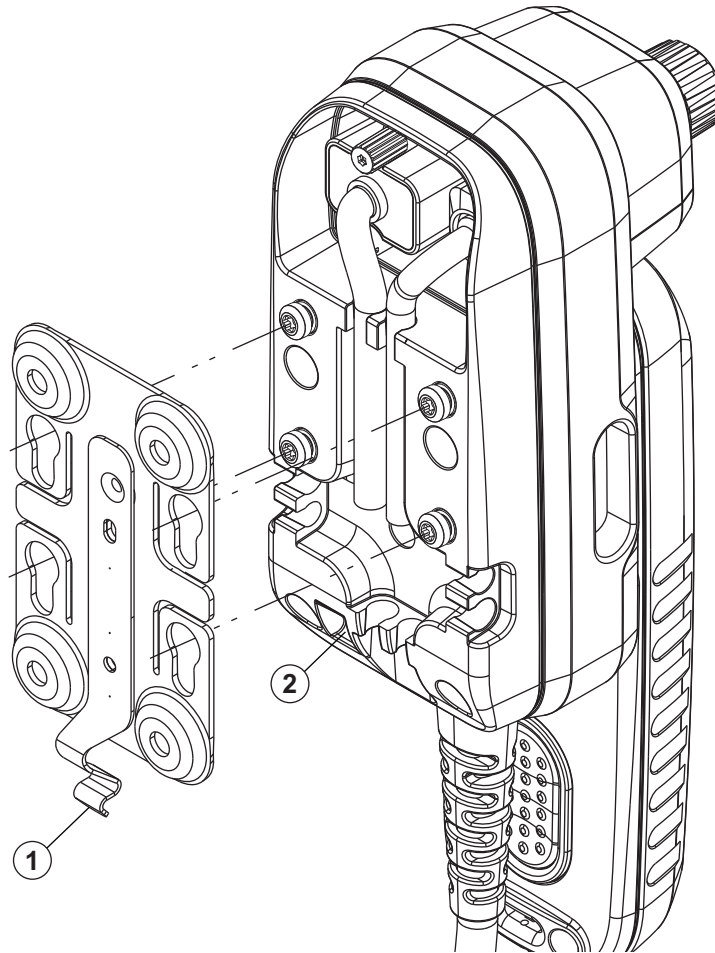
Figure 27: Slim Bracket



- 2 Tighten the four screws (Motorola Part Number: 03012069001) on four inserts of TSCH cradle as illustrated in the following picture with 5 lbs-in screw torque.

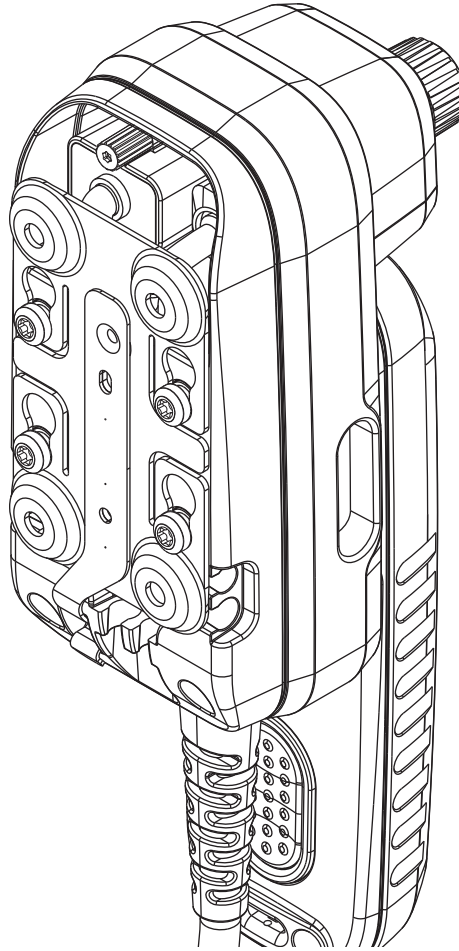
Figure 28: Rear View of TSCH Cradle

- 3 Slot the TSCH cradle into the Slim Bracket by aligning the four screws with the 'keyholes' on the bracket.

Figure 29: Rear View of the TSCH Cradle with Slim Bracket

Number	Description
1	Bracket Hook
2	TSCH Cradle Locking Slot

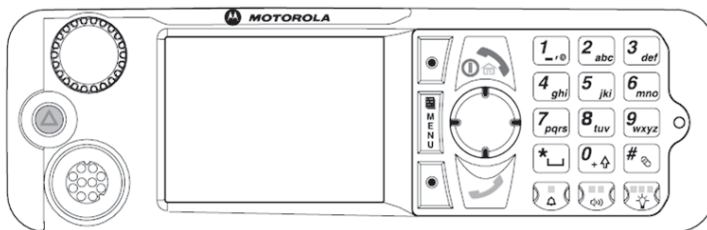
- 4 Pull down the TSCH cradle until the Bracket Hook is fully engaged to the TSCH Cradle Locking Slot.

Figure 30: Rear View of the TSCH Cradle with Attached Slim Bracket

Motorcycle Mount Enhanced Control Head Installation

Motorola provides standard Motorcycle installation kits for a range of applications including four Button Handlebar Control with integrated Helmet Headset and true Covert installations.

The keypad labeling of the control head may vary according to the specific customer/country concerns.

Figure 31: Motorcycle Mount Enhanced Control Head - Front Side

Installing Motorcycle Mount Enhanced Control Head

Planning is the key to fast, easy radio installation. Before a hole is drilled or a wire is run, inspect the vehicle and determine how and where you intend to mount the antenna, radio, and accessories. Plan wire and cable runs to provide maximum protection from pinching, crushing, and overheating.



Note: The installation planning should only be undertaken by persons who are competent and able to ensure that the complete installation fulfills its regulatory requirements, such as EMC (ElectroMagnetic Compatibility).

When and where to use: The following list of considerations should, as a minimum, be checked during installation planning:

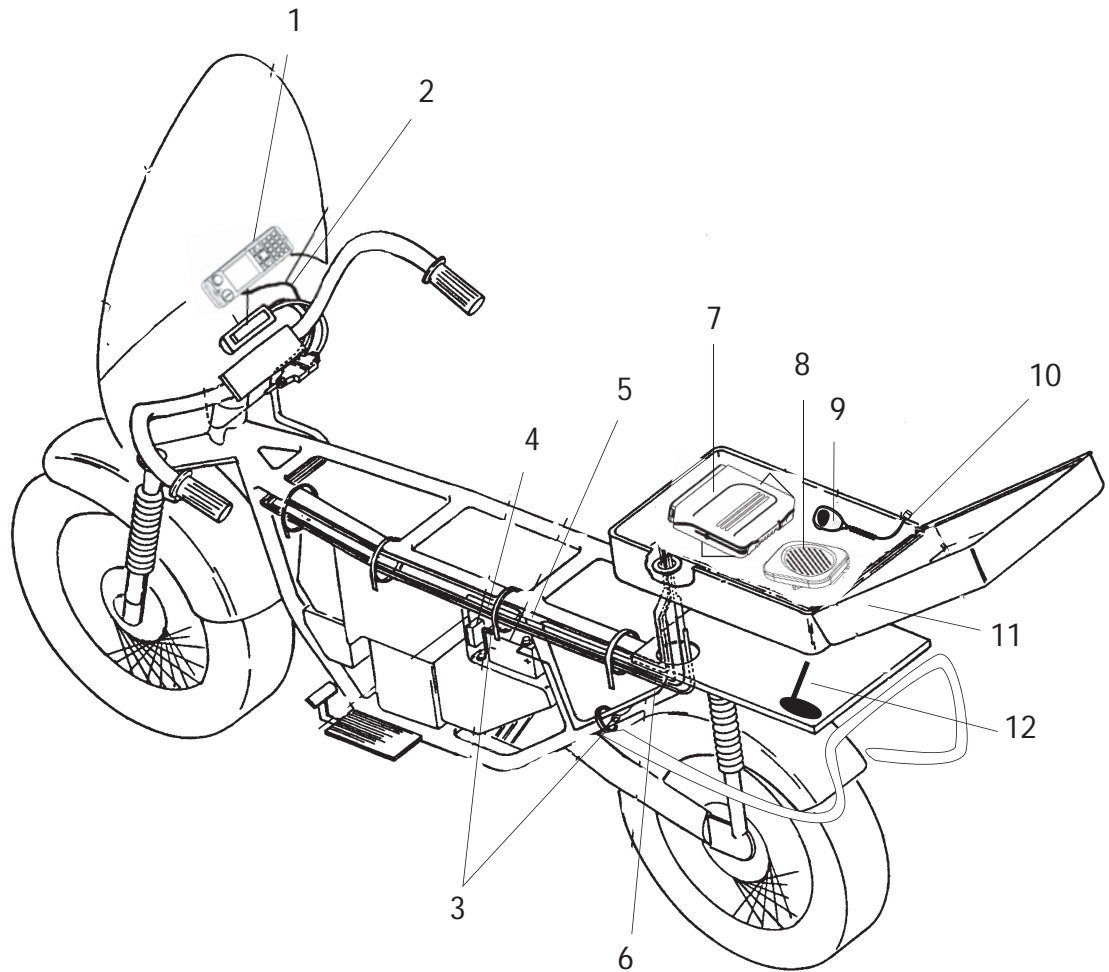
Procedure:

- 1 The recommended place for the transceiver is to place it in the box at the back of the motorcycle.
- 2 Mount the Motorcycle Mount Enhanced Control Head horizontally at a position which enables the driver to view the controls and operate them easily.
- 3 Be sure that the Motorcycle Mount Enhanced Control Head is close enough to the vehicle operator to permit easy access to operating controls.
- 4 It is recommended to mount the Motorcycle Mount Enhanced Control Head directly on the chassis or handle part.
- 5 Ensure that the units mounted in the motorcycle box are protected from dirt and moisture.
- 6 Verify that there is sufficient space around the units to allow air flow and removal.
- 7 Verify that the cable from a handlebars mounted Motorcycle Mount Enhanced Control Head and to the radio unit is long enough to allow for the handles to be turned.
- 8 Verify that the antenna cable is routed in the shortest way to minimize power loss over the cable.
- 9 Check that the mounting surfaces are able to support the weight of the units.



Note: If an additional GPS antenna or a combined TETRA/GPS antenna is used, the antenna housing carries the GPS receiver. Take care not to cover the antenna housing with metal or other radio wave absorbing material.

Figure 32: Motorcycle Installation



Number	Description
1	Motorcycle Mount Enhanced Control Head
2	Transceiver-to-Control Head Cable (PMKN4030_)
3	Chassis ground (PMKN4029_)
4	Fuse block
5	Battery
6	Fused power cable (GKN6270_), 3m fuse 10A
7	Transceiver
8	Loudspeaker
9	Fist microphone
10	Accessory Expansion Cable (PMKN4029_)
11	Motorcycle box
12	Antenna

- 10 Slide the Motorcycle Mount Enhanced Control Head onto the mounting trunnion until it snaps into place.
- 11 Tighten the screws at both sides of the trunnion. After a few turns, tilt the Motorcycle Mount Enhanced Control Head for an optimum view of the display. Then, complete the tightening of the screws.
- 12 There are two ways to mount the motorcycle trunnion, each limited to a 77 degree of allowable movement, as shown in the following picture.

Figure 33: Upward Movement

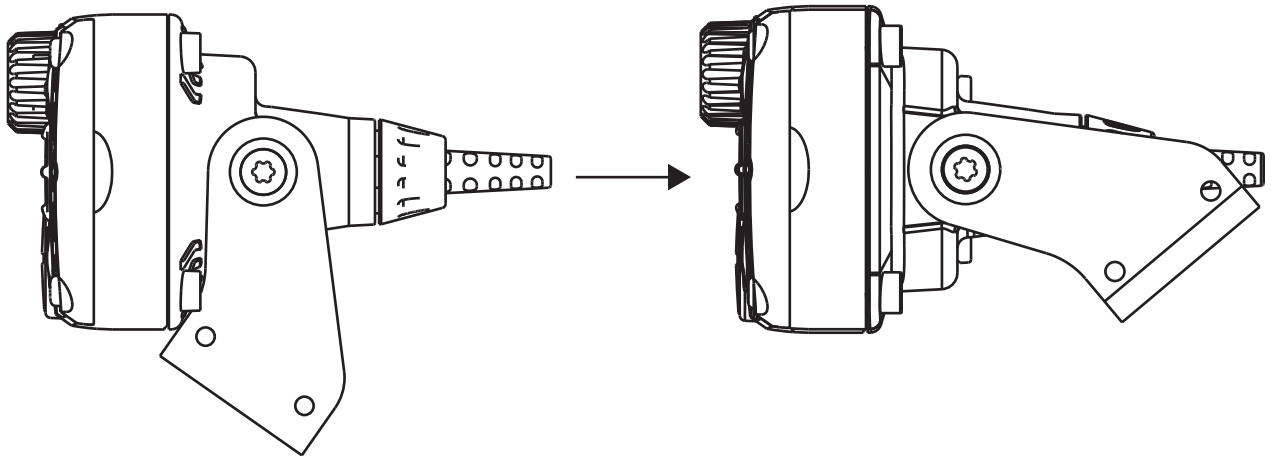
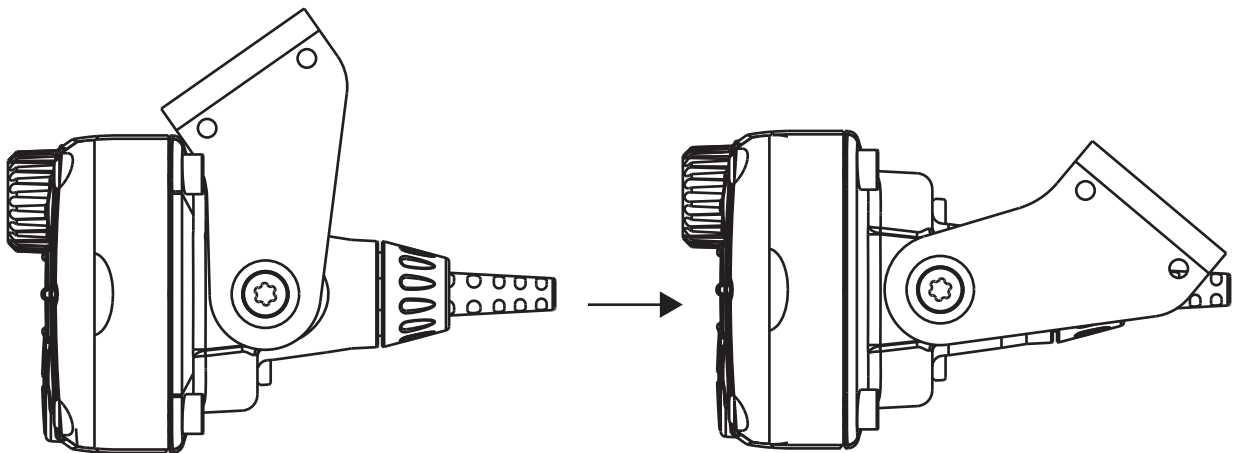


Figure 34: Downward Movement



MTM800FuG Mechanical Parts

Figure 35: Motorcycle Mount Enhanced Control Head Mounted in a Trunnion

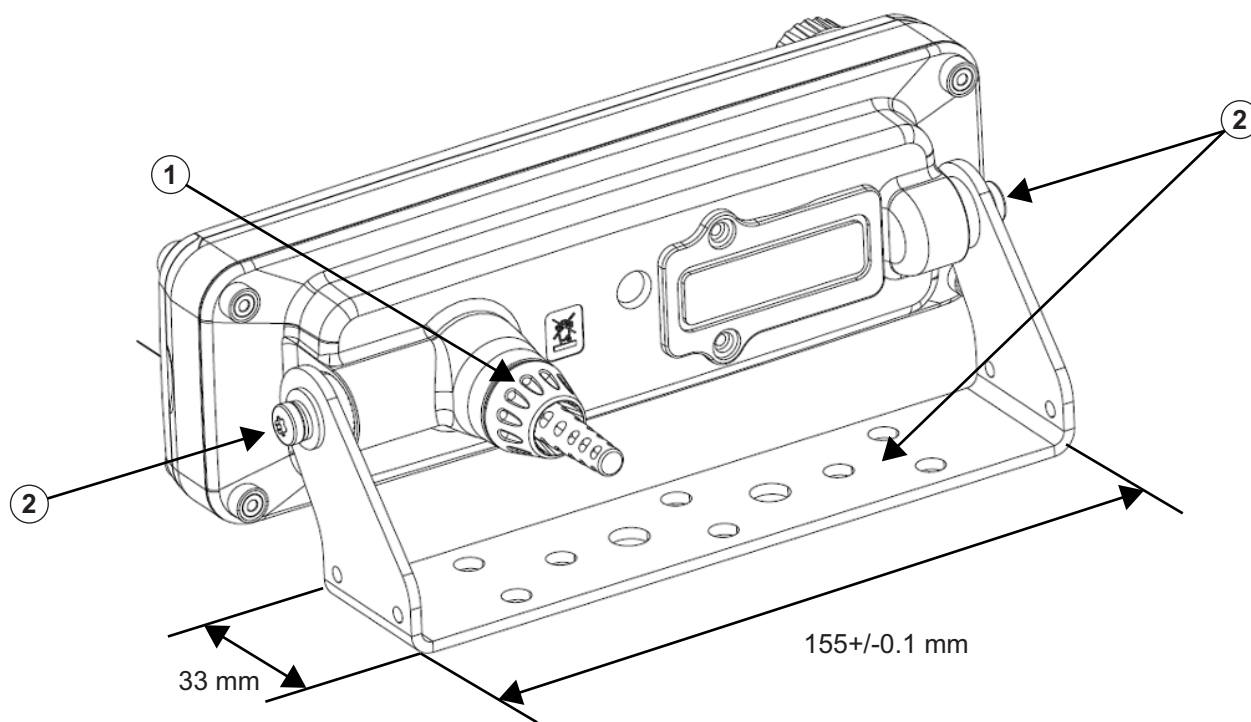


Table 48: Motorcycle Mount Enhanced Control Head - Mechanical Parts List for Installation

Item	Description	Part Number
1	Motorcycle Mount TELCO Cable	PMKN4030_
2	Motorcycle Trunnion Kit	PMLN5092_

Installing Motorcycle Mount TELCO Cable (PMKN4030_)

When and where to use: Follow these steps to install the Motorcycle Mount TELCO Cable (PMKN4030_).

Procedure:

- 1 Plug the TELCO connector to the TELCO socket of the Remote Head Enhanced/Data Expansion Head Enhanced connected to the transceiver.
- 2 Plug the other side of TELCO connector to the TELCO socket of Motorcycle Mount Enhanced Control Head.

Adding Extra Connectivity to the Motorcycle Mount Enhanced Control Head

For information on adding extra connectivity using the Accessories Expansion Cable and the Mobile Microphone Port (MMP)/USB Port module, see sections: “Adding Extra Accessories to the Remote Head by Expansion Cable” and “Installing the Accessories Expansion Cable”

Data Expansion Head Enhanced Installation

Data Expansion Head Enhanced Radio without Control Head

The Data Expansion Head Enhanced can be used without a control head.

This configuration allows the use of the radio without any control head, allowing the radio to be powered on via the ignition switch.

The packet data/SDS via the AT commands are available from the 9-pin subD connector (PEI) and from the Accessory Connector via the USB cable at the same time.

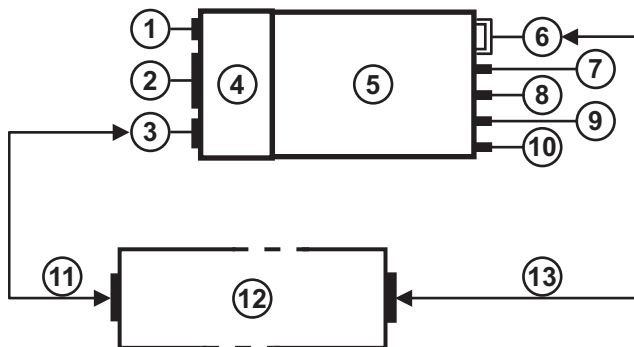
The Remote PTT can be connected via the 26-pin rear connector. Only one talkgroup is available, and that talkgroup is the first one on the CPS list.

Data Box Radio

This configuration allows the controlling of the radio (Transceiver Box) without NGCH via PEI (for example: Personal Computer, Laptop, Console, and so on) with AT Commands (recommended) or TNP1 protocol from a Control Terminal.

In this configuration, the Control Terminal is a substitute for the Enhanced Control Head. The Data Terminal is connected to either the 9-pin socket of the Data Expansion Head Enhanced via the RS232 cable, or to the 26-pin accessory connector via the USB cable.

Figure 36: Data Box Radio Interface Description



Number	Description
1	TELCO Connector (10-Pin)
2	25-Pin subD Connector (female)
3	9-Pin subD Connector (female)
4	Data Expansion Head Enhanced
5	Terminal Transceiver Box
6	Accessory Connector (26-Pin)
7	SMA GPS Connector
8	Power Connector
9	BNC Antenna Connector
10	BNC RF Connector

Table continued...

Number	Description
11	DB9–DB9 RS232 Cable
12	Data Terminal (can be connected either from the front or the back of the Terminal Transceiver Box)
13	USB Cable

Data Expansion Head Enhanced with 3rd Party Control Head

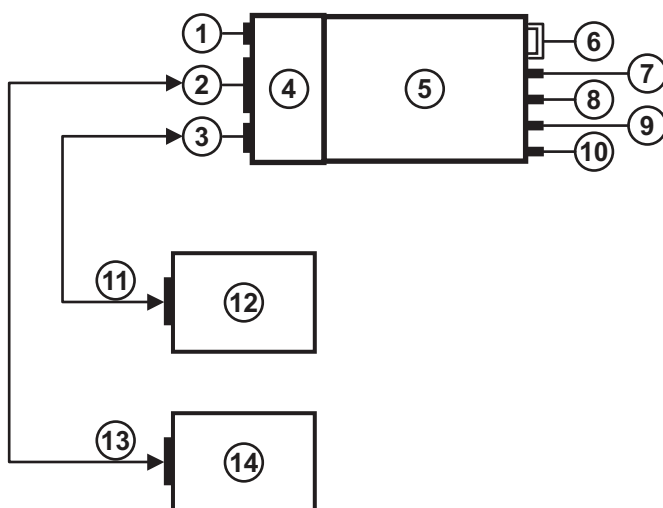
In this configuration, radio supports two Control and Data Terminals in parallel. Both support AT Commands for Control and Data. (see *AT Commands Programmer's Guide*).

The Peripheral Equipment Interface (PEI) is used to transfer data between the Mobile Terminal and External Terminal. The PEI interface is available on both RS232 and USB physical layers depending on the radio configuration. In the dash/desk mount or in the remote mount with no Expansion Head, the radio provides PEI via either 5-wire RS232 or USB at 26-pin Accessory Connector. When Expansion Head is connected the radio supports PEI via both 9-pin SubD (RS232) at Expansion Head and 26-pin Accessory Connector (USB).

The Data Expansion Head Enhanced can be used with a “virtual head” on a PC or a third-party control head.

This configuration allows the controlling of the radio (Transceiver Box) with a Control Terminal (for example: Personal Computer, Laptop or Console). In this configuration, the Control Terminal is a substitute for the Enhanced Control Head.

Figure 37: Example of Configuration with Remote Control Terminal and External SIM Card Reader



Number	Description
1	TELCO Connector (10-Pin)
2	Front DATA connector
3	9-Pin subD Connector (female), 8-Wire RS232 PEI Interface or External SIM Card (depends on CPS configuration)
4	Data Expansion Head Enhanced
5	Terminal Transceiver Box
6	Accessory Connector (26-Pin)
7	SMA GPS Connector

Table continued...

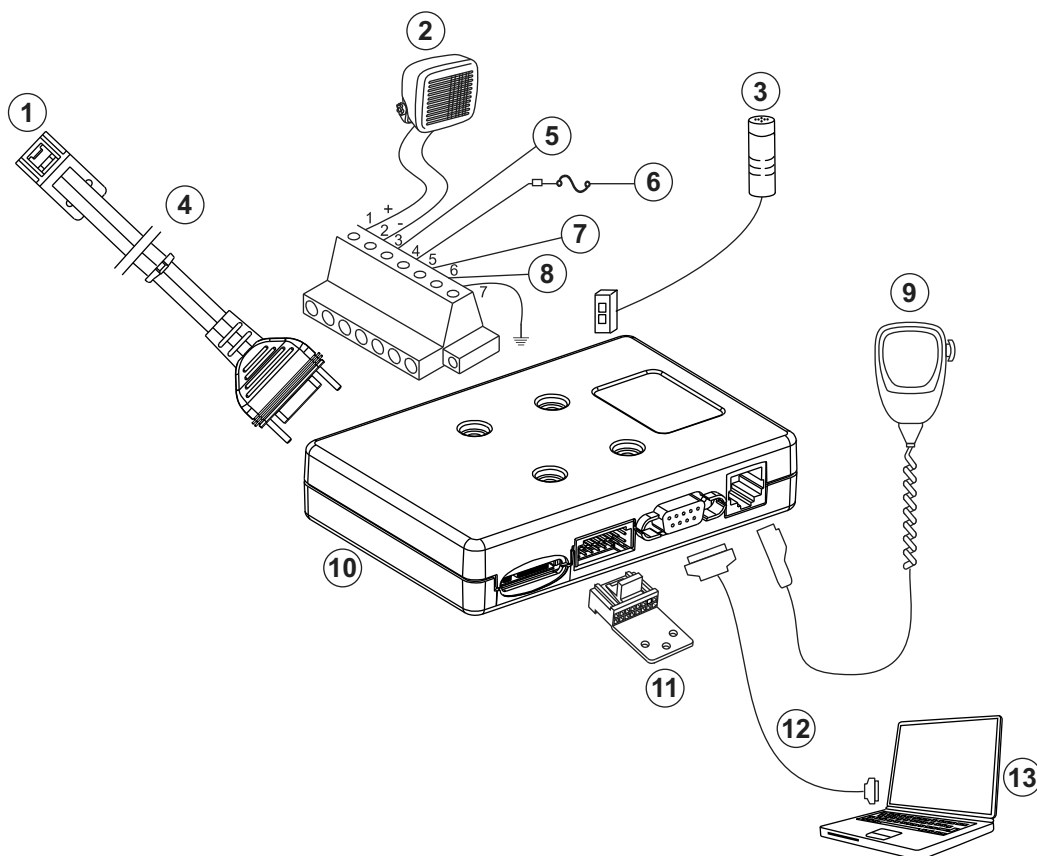
Number	Description
8	Power Connector
9	BNC Antenna Connector
10	BNC RF Connector
11	8-wired RS232 Cable
12	Remote Control Terminal via RS232
13	External SIM Reader Cable
14	External SIM Card Reader

Junction Box Installation

The data junction box (GMLN5089_) assists the easy installation for dash and remote mount configurations.

The junction box enables the customer adding a laptop to the remote configuration, connecting a visor microphone, various accessories, or fist microphone.

Figure 38: Remote Mount Installation with Junction Box



Number	Description
1	to MTM800 Enhanced accessory connector
2	Speaker
3	Visor microphone GMMN4065_
4	Connecting cable PMKN4101/2/3_
5	External PTT
6	To Ignition Switch
7	External Alarm
8	Emergency Switch
9	Fist Microphone GMMN4063_
10	Junction Box GMLN5089_
11	Accessory Connector Kit GMBN1021_
12	Standard RS232 cable
13	Laptop



Note: The junction box PCB is not repairable. Order a new junction box as necessary.

Installing Junction Box

The junction box can be installed horizontally and vertically. The junction box has no connector sealing and is designed for use in dust and water protected location only. See the following figure.

Procedure:

- 1 Secure the data junction box with the four screws supplied with kit.
- 2 Connect the connection cable (length = 6 m), (length = 4 m) or (length = 2 m) from the junction box to the accessory connector on the rear side of the transceiver and fasten it with the plug-screws.
The cable used for installation purposes only must be ordered separately. Ingress Protection (IP) Code: IP30
- 3 All other devices should be adapted as shown in the preceding figure.

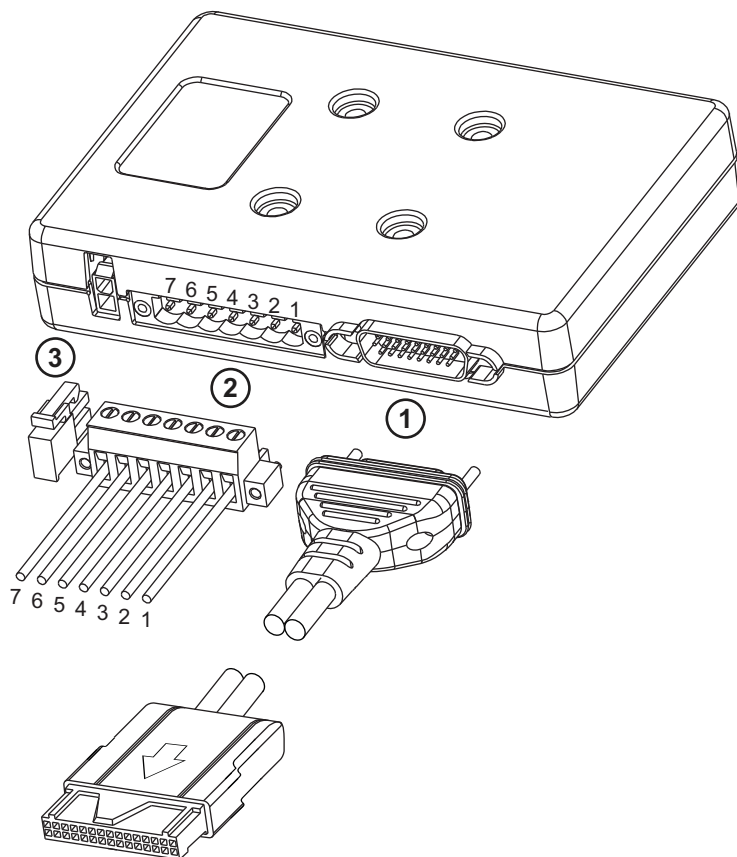
Connecting Accessories to the Junction Box

Procedure:

- 1 Connect all accessories to the junction box. If required see “Re-crimp Procedure” to be able to connect your accessory.
- 2 Connect the mobile-terminal-to-Junction box cable to the junction box.
- 3 Connect the programming cable to the junction box (if required).

Connectors on the Junction Box

Figure 39: Connectors on the Junction Box – Front Panel



Connectors on the Junction Box - Front Panel

1 = Connecting cable from Junction Box to MTM5200/MTM5400/MTM800 FuG (rear side 26-pin accessory connector) for installation purpose only.

PMKN4101_ (length 6 m)

PMKN4102_ (length 4 m)

PMKN4103_ (length 2 m)

2 = Connector for accessory terminal

pin 1 SPEAKER +

pin 2 SPEAKER -

pin 3 EXT_PTT

pin 4 IGNITION SENSE

pin 5 EXT_ALARM

pin 6 EMERGENCY

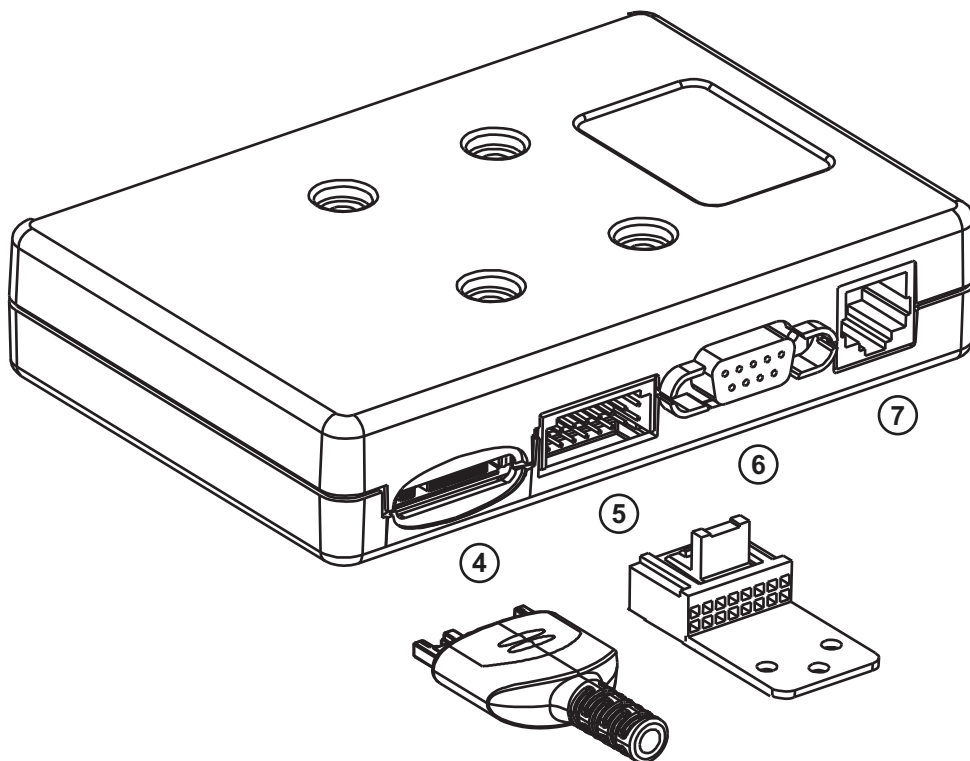
pin 7

3 = Visor Microphone connector
PMMN4087_ or GMMN4065_



Caution: PIN 4: Use an adapter between the radio and the accessory connector to short the ignition to ground. Interference can cause radio to hang.

Figure 40: Connectors on the Junction Box – Rear Panel

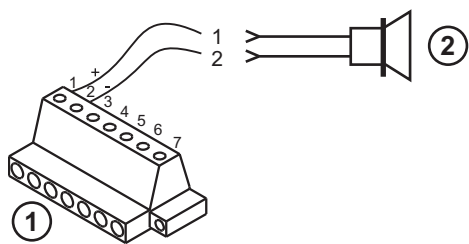


Connectors on the Junction Box - Rear Panel

4 = Auxillary PEI port can be used with PMKN4025_ 5 = 16 Pin Connector for Accessories, uses GMBN1021_ or full kit HLN9457_ Accessory connector kit. 6 = Connector for connecting a laptop via RS232 cable 7 = TELCO-connector for fist microphone (GMMN4063_)

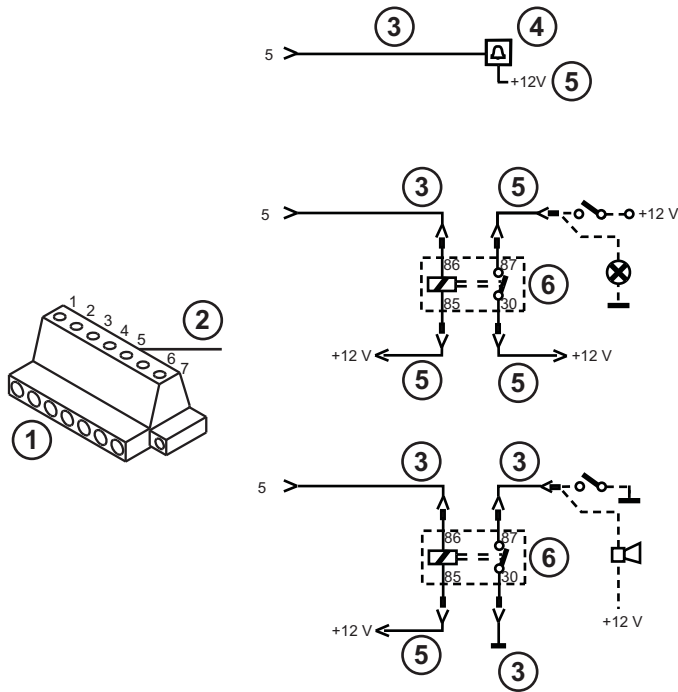
Connection Plan for the Junction Box Accessory Terminal

Figure 41: Connection Plan for the Speaker



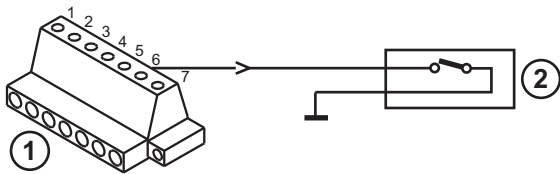
Number	Description
1	Junction Box Terminal
2	Speaker

Figure 42: Connection Plan for the Alarm Relay

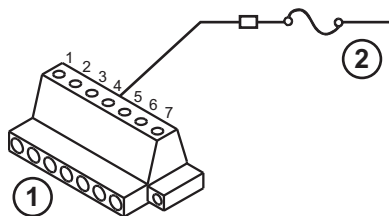


Number	Description
1	JUNCTION BOX TERMINAL
2	EXTERNAL ALARM
3	BLK
4	BUZZLER
5	RED
6	ALARM RELAY

Figure 43: Connection Plan for the Emergency Switch

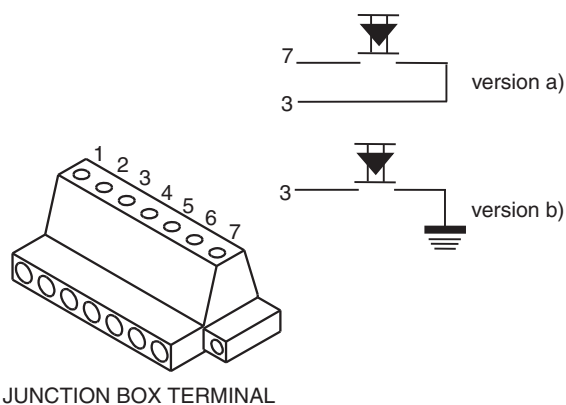


Number	Description
1	Junction Box Terminal
2	Emergency Switch

Figure 44: Connection Plan for the Ignition Sense Cable

Number	Description
1	Junction Box Terminal
2	To Ignition Switch, Ignition Switch Cable, Switched Battery Voltage

The ignition sense cable PMKN4120 allows the MTM800 FuG to be turned on and off by the vehicle ignition switch.

Figure 45: Connection Plan for External PTT

Installing the Cable

Procedure:

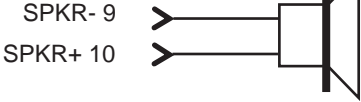

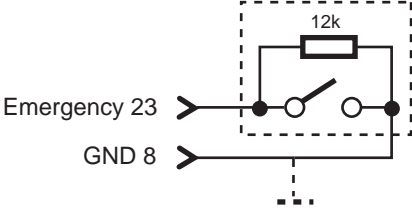
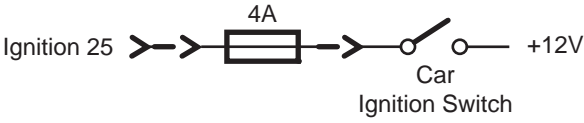

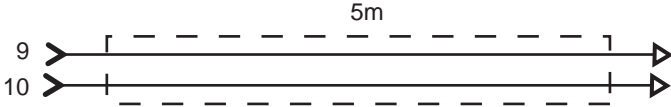
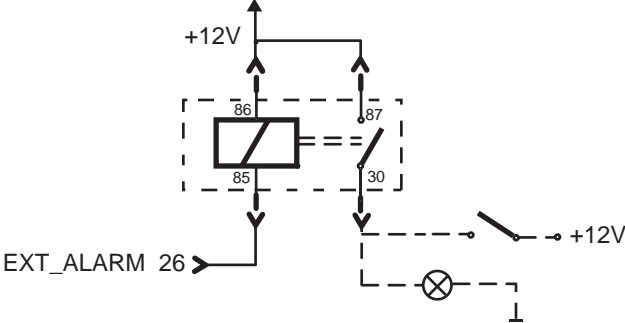
- 1 Connect the stripped lead of the fuse holder cable only to an ignition switched terminal of the fuse block. Use the supplied terminal or any other suitable terminal.
- 2 Mount the fuse holder using the mounting hole, and dress wires as required.
- 3 Cut the thin cable to the required length, crimp the supplied red lead to the stripped lead of the thin cable, and connect it to the blue terminal of the fuse holder cable.
- 4 Connect the other end of the ignition sense thin cable to pin 4 of the junction box terminal.
- 5 Insert the provided fuse into the fuse holder and close the cover.

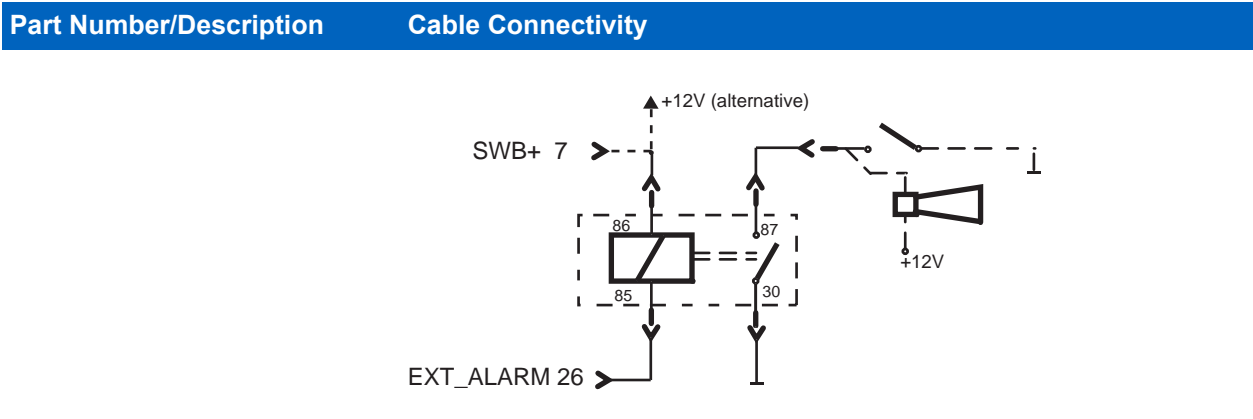


Caution: PIN 4: If the ignition line is not used, it needs to be grounded. Interference can cause radio to hang.

Connection Plan for Accessory Connector Kit

Table 49: Accessory Connector Kit – Cable Connectivity

Part Number/Description	Cable Connectivity
GMSN4066_ Speaker 13W GMSN4078_ Speaker 5W	
RLN4857_ Push button PTT RLN4858_ Gooseneck PTT	
RLN4836_ Tri-State Emergency Footswitch and Cable	
PMKN4120_ Ignition Sense Cable	
 Caution: HKN9327_ Ignition Sense Cable: If the ignition line is not used, it needs to be grounded. Interference can cause radio to hang.	
GMKN4084_ Speaker Extension Cable	
GKN6272_ External Alarm Relay and Cable	



Radios with Data Expansion Head Enhanced

To use a junction box with one of the mobile terminals fitted with a Data Expansion Head Enhanced, always use the 9-pin RS232 port on the Data Expansion Head Enhanced for PEI instead of the 9-pin RS232 port on the junction box (connector 6). Ensure to fit a jumper between pins 6 and 15 of the Junction Box (connector 5) for the PEI to operate correctly in this configuration.

Standard Radios without Data Expansion Head Enhanced

For standard mobile terminals without a Data Expansion Head Enhanced, the jumper between pins 6 and 15 of the junction box (connector 5) should be removed.

Mobile Terminal	Fit Jumper Pins 6-15?	Use Junction Box RS232 PEI?
With Data Expansion Head Enhanced	Yes	No. Use the Data Expansion Head Enhanced 9-pin PEI instead.
Without Data Expansion Head Enhanced	No	Yes

Standard Radios without Ethernet Data Expansion Head

For standard mobile terminals without an Ethernet Data Expansion Head, the jumper between pins 6 and 15 of the junction box (connector 5) should be removed.

Mobile Terminal	Fit Jumper Pins 6-15?	Use Junction Box RS232 PEI?
With Ethernet Data Expansion Head	Yes	No. Use the Ethernet Data Expansion Head 9-pin PEI instead.
Without Ethernet Data Expansion Head	No	Yes

Installing Trunnion

When and where to use: The trunnion allows the terminal to be mounted to various surfaces. The trunnion must be securely fixed to the vehicle chassis.

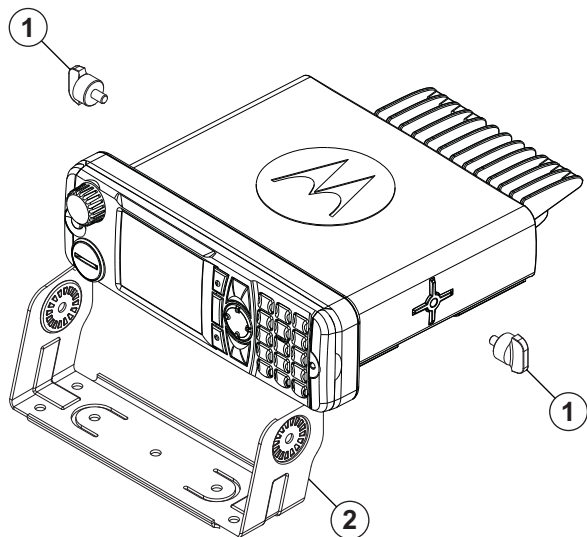
Procedure:

- 1 Ensure that the surface can support the weight of the terminal.

Although the trunnion can be mounted to a plastic dashboard, it is recommended that the mounting screws be located so they penetrate the supporting metal frame of the dashboard.

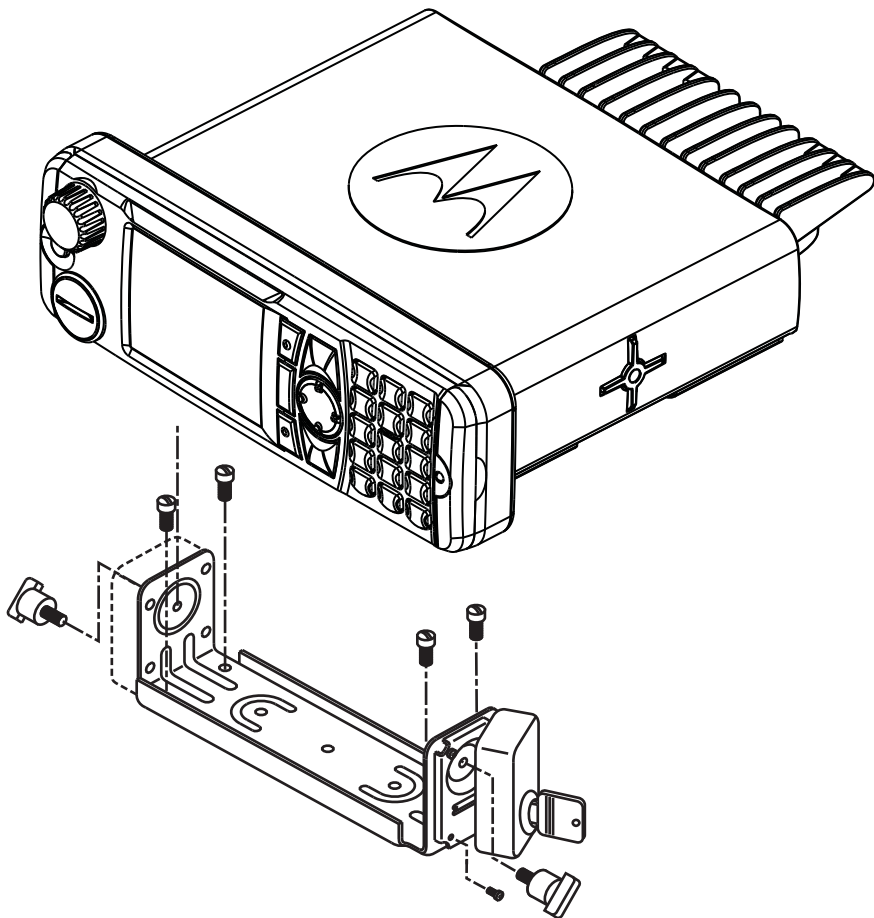
- 2 Ground the radio housing to the nearest vehicle chassis ground point, which can be done by removing the paint from the trunnion where the radio and vehicle chassis touches the trunnion, or use a short cable with ring lugs in both end and connect this to chassis under the wing screw.

Figure 46: Terminal into High Profile Trunnion (GLN7317_)



Number	Description
1	Wing screws (0302637Y01), wing screws are included in Trunnion Mount Kit.
2	Trunnion — main part, Part Number. GLN7317_

Figure 47: Terminal into Key Locked Mount Trunnion (RLN4779_)

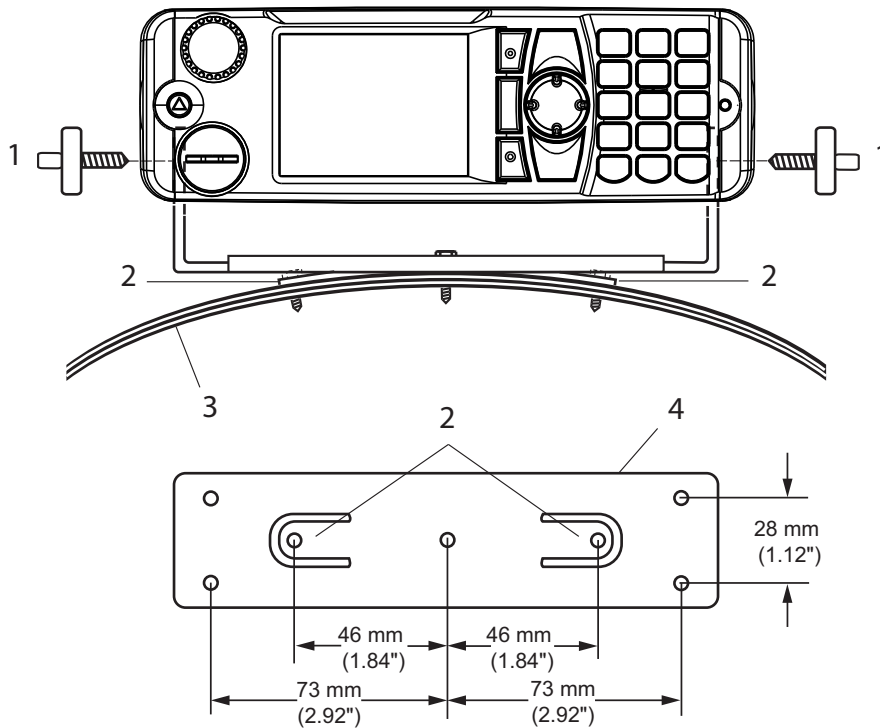


- 3 Select either the transmission hump or an open underneath portion of the dash to mount your terminal (see the following figure). When mounting the trunnion on the transmission hump, be careful that the transmission housing is not affected.
- 4 Use the trunnion mounting bracket as a template, to mark the hole positions on the mounting surface. Use the innermost three holes for a curved mounting surface, such as the transmission hump, and the three outermost holes for a flat surface such as under the dash.
- 5 Centre-punch the spots you marked and use a 4 mm (5/32-inch) bit to drill a hole at each location.
- 6 Secure the trunnion mounting bracket to the mounting surface with the three self-tapping screws provided (see the following figure).
- 7 Slide the terminal into the trunnion. Secure the terminal with the two wing screws provided.



Note: The keypad labeling of the control head may vary according to the specific customer/country concerns.

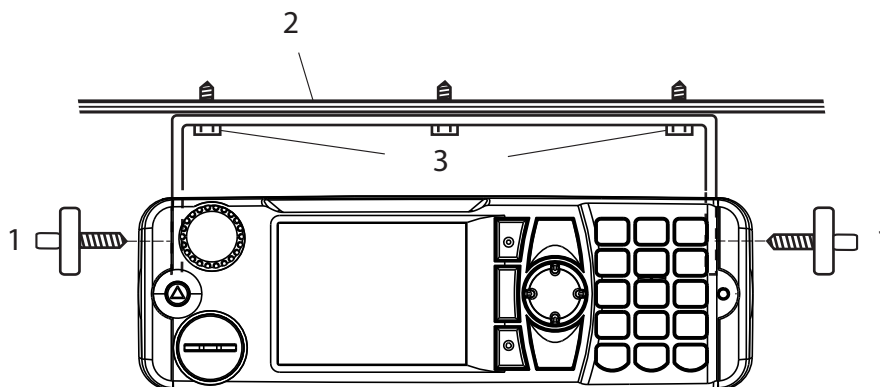
- 8 Ground the radio housing to the nearest vehicle chassis ground point, which can be done by removing the paint from the trunnion where the radio and vehicle chassis touches the trunnion, or use a short cable with ring lugs in both end and connect this to chassis under the wing screw.

Figure 48: Top of Dash Mount

Number	Description
1	Wing screw
2	Tab
3	Mounting surface
4	Trunnion mounting bracket

The GLN7317_ kit comes complete with:

- 0771061L01 – Bracket, Standard Trunnion
- 0302637Y01 – Wing Screw M5x7.9 mm, quantity 2
- 0400002647 – Lock washer, quantity 2
- 0312002B14 – Self-drill Steel 10-16x1, quantity 4

Figure 49: Below Dash Mounting

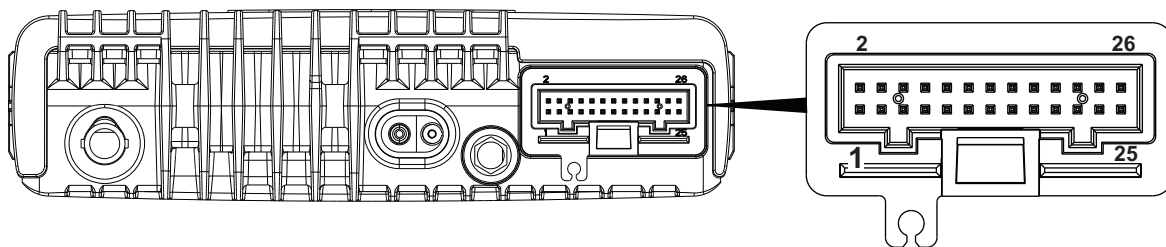
Number	Description
1	Wing screw
2	Mounting surface
3	Sheet metal screws

Chapter 5

Connectors and PIN Assignment

Transceiver Rear Side

Figure 50: Location of Accessory Connector – Rear Side



Caution: The accessory connections shown are not compatible to some other models of Motorola radios. Check the appropriate accessory or technical manual for further information.

Table 50: 26–PIN Accessory Connector


PIN	Function	Description
1	UART1_TXD / USBx_D+	USB 1.1 – Default Host
2	UART1_RXD / USBx_D-	RS232 or UART2 – Alternative Setting
3	UART1_RTS / USBx_VBUS	 Note: When Expansion Head is connected – the connection is USB1.1. UART2 is configured on DB9 interface on the expansion Head. The radio monitors DB9 interface to detect cable connection/disconnection based on PIN voltage level of RX and DTR lines. When Expansion Head is not connected – the connection can be configured to UART2 in the CPS codeplug (default setting is USB1.1).
4	GND_USBx	
5	1-WIRE	1-Wire standard port (pulled via 2K2 to 5V inside U600), Data for RMN5054_Microphone
6	KEYFAIL / FLASH	Key load (pulled via 10K to 5V) Flash input (>10V will trigger Flash mode)
7	SWB +	A+ voltage (limited to 14V) with 1A current limitation
8	GND_MAIN	Main and power ground

Table continued...


PIN	Function	Description
9	SPEAKER-	Loudspeaker (PA) output –
10	SPEAKER+	Loudspeaker (PA) output +
 Warning: Do not ground! See Appendix for Rated Audio Power. Do not attach audio accessories single-ended between the Speaker out (+ or -) and ground on rear connector because the mobile radio has a Class D amplifier. If it is required to connect a single ended accessory to speaker out then the balanced speaker output from the radio must be converted to single-ended using a transformer or an electrical circuit.		
11	TX_AUDIO	TX audio input (Line In, 26-Pins rear connector J400, used for audio recording)
12	GND_ANA	Main audio ground
13	MIC1 / EXT_MIC	External microphone input (EXT_MIC), or first microphone (MIC1), Nominal sensitivity: 80mV rms, Bias voltage: 9.3V or 2.1V (Selected accessory dependent)
14	RX_AUDIO	RX audio output (Line Out, 26-Pins rear connector J400, used for audio playback)
15	MIC2	Microphone input (MIC2), Nominal sensitivity: 80mV rms, Bias voltage: 9.3V or 2.1V (selected accessory dependent)
16	GND_MIC	Ground (for MIC)
17	EXTERNAL_PTT	PTT input (pulled via 4K7 to 5V)
18	UART2_DTR / USBy_ID	RS232 or UART1 / UART2 DTR / 2nd USB2.0 (OTG) ID
19	HOOK_PA_EN	HOOK_PA_EN input (or programmable 5V GPIO)
20	UART2_TXD / USBy_TX	RS232 or UART2 TXD / 2nd USB2.0 (OTG) D+
21	UART2_RTS / USBy_VBUS	RS232 or UART2 RTS / 2nd USB2.0 (OTG) VBUS – 100mA
22	UART2_RXD / USBy_RX	RS232 or UART2 RXD / 2nd USB2.0 (OTG) D-
23	EMERGENCY	Emergency Input (Pulled via 24K9 to A+) – Pull low to power on

Table continued...

PIN	Function	Description
24	UART_CTS	RS232 or UART1 / UART2 CTS input
25	IGNITION	Ignition input (through series 15K) – Pull > 10V to power on
26	EXTERNAL ALARM	External Alarm output (Pulled via 4K7 to A+)



Caution: PIN 25: If the ignition line is not used, it must be grounded for example connected to pin 8. Interference can cause radio to hang.



Note: PINs 13 and 15 cannot be used (nor configured) at the same time.

Accessory Connection Plan



Caution: The accessory connections shown are not compatible to some other models of Motorola radios. Check the appropriate accessory or technical manual for further information. Ensure correct position of the accessory connector.

Figure 51: Accessory Connector

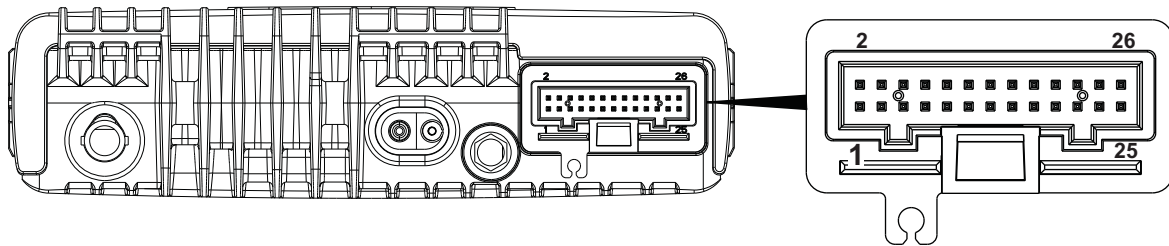
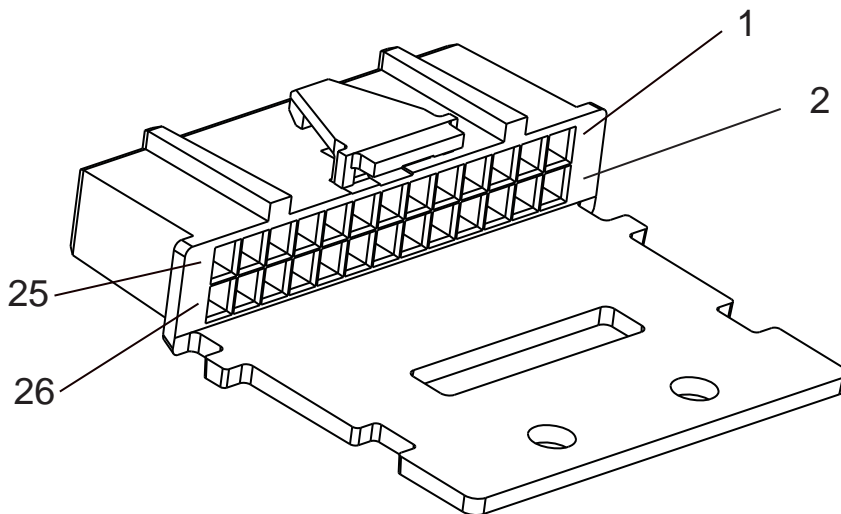
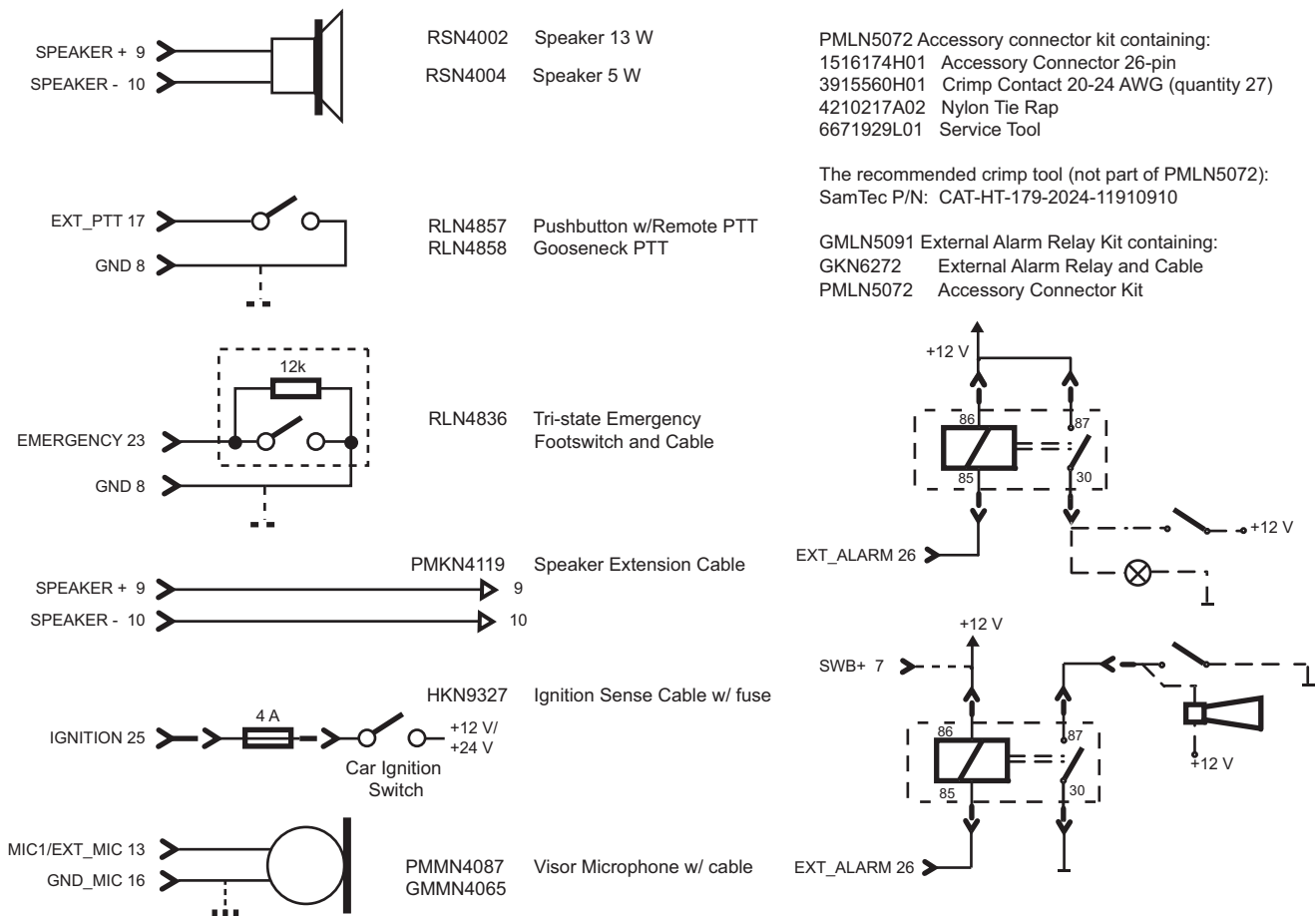


Figure 52: 26-Pin Accessory Connector



The 26-pin connector, Part Number: 1516174H01 (delivered with the accessory connector kit, Part Number: PMLN5072_) plugs into the 26-pin accessory connector on the terminal.

Figure 53: Connecting Diagrams



Caution: HKN9327_ Ignition Sense Cable: If the ignition line is not used, it needs to be grounded. Interference can cause radio to hang.

Re-crimp Procedure

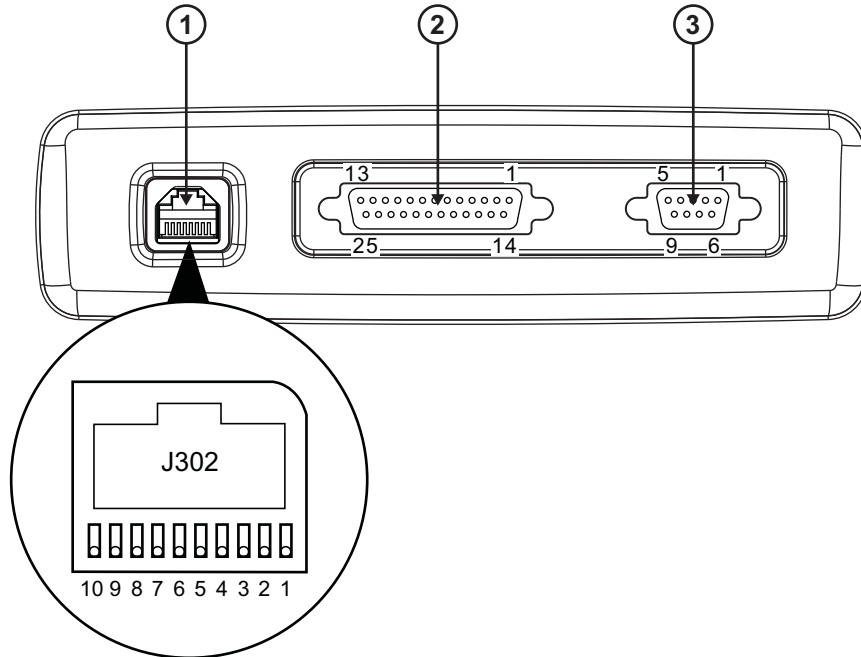
To use accessories from MTM800 such as RLN4858_ and GKN6272_ with the rear connector of the radio, follow the re-crimp procedure using the crimp pins provided with PMLN5072_ connector kit. These accessories do not require to be re-crimped when used with the Data Junction Box GMLN5089_.

Process:

- 1 Cut and remove nickel plated pins from wire.
- 2 Strip the insulation from the end of the wires (2 mm to 4 mm).
- 3 Place the new gold plated crimp pin (from the PMLN5072_ kit) on the gauge slot on the crimp tool.
- 4 Insert wire into the wire slot of the crimp pin.
- 5 Apply pressure to the crimp tool handle, until wire is crimped by the pin.

Connectors and Pin Assignment of Data Expansion Head Enhanced and Remote Head Enhanced

Figure 54: Data Expansion Head Enhanced – Front View and Connector Location




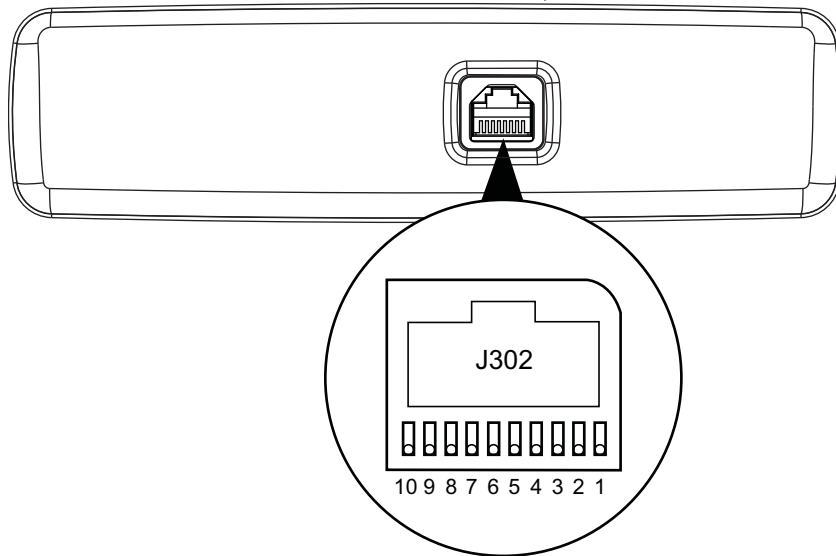
Number	Description
1	10-Pin TELCO Connector, Front View,  Caution: Connector to the Control Head.
2	25-Pin subD Connector
3	9-Pin subD Connector

Figure 55: Remote Head Enhanced – Front View and Connector Location

Caution: Connector to the Control Head.

10-Pin TELCO Connector

Data Expansion Head Enhanced:

- 1 The 10-pin TELCO connector can be used to connect a customized adapter, for example, for connecting the helmet including microphone/earpiece (non-Motorola accessory) or an external PTT. The customized adapter is connected via the cable RKN4077_.
- 2 The 10-pin TELCO connector can be used to connect a remote mount Enhanced Control Head.



Caution: DO NOT connect any other accessories (for example, microphone). This might result in malfunctioning hardware failure.

Remote Head Enhanced:

The 10-pin TELCO connector of the Remote Head Enhanced can be used in the same way as described in point 2.

Table 51: 10-Pin TELCO Connector Pins

PIN	Function	Description
1	Audio +	Balanced Audio + (Bidirectional)
2	Not Connected	
3	BUS+	This is used for communication between the radio and an Enhanced Control Head.
4	Audio-	Balanced Audio - (Bidirectional)
5	Not Connected	
6	Ground	Ground
7	Radio On/Off Control	This is the Enhanced Control Head service request input. A level of 5 volts indicates that the Enhanced Control Head needs to communicate

Table continued...

PIN	Function	Description
		with the radio. In addition it switches on the radio's voltage regulators. The idle state is a level below 0.6V.
8	SCI_TX	This is for communication between the radio and the Enhanced Control Head.
9	FLT_A+	This voltage is at battery voltage level and is available as long as the radio is connected to the supply voltage. The maximum current is 300mA. A fuse in the radio prevents further circuit damage in case of shorting this pin to ground.
10	Analog Ground	Analog Ground

25-Pin subD Connector

Data Expansion Head Enhanced:

The radio must be turned ON/OFF via the Ignition Sense Cable PMKN4120_, which has to be connected on Pin 10 of the Accessory Connector on the rear side of the radio.

Table 52: 25-Pin subD Connector Pins

PIN	Function	Description
1	GND	Ground
2	RS232_SCI_TX	Transceive data (RS232 line with RS232 level)
3	RS232_SCI_RX	Receive data (RS232 line with RS232 level)
4	RS232_RTS	Request to Send (RS232 line with RS232 level)
5	RS232_CTS	Clear to Send (RS232 line with RS232 level)
6	FLT_A+	Filtered unswitched UB+ / 200mA
7	Signal_GND	Ground for RS232
9	NC	Not Connected
10	NC	Not Connected
11	NC	Not Connected
12	SW_B+	Switched UB +/100mA
13		
14	ON_OFF_CONTROL / FLASH_MODE	<ul style="list-style-type: none"> Switch into flash mode (connect pin14 with 6) On/Off control for Std. Control Head
15		
16	INT_MIC	Microphone analogue input of 80mVRMS, 600ohm impedance, 9V=
17		
18	NC	Not Connected

Table continued...

PIN	Function	Description
19	GROUND	Ground
20	IGNITION	Connecting this pin to the ignition line of the vehicle that will automatically turn on the radio if ignition of the vehicle is turned on. High active
21	ON_OFF_GND	This is On/Off control for the old Control Head “J” (MTM300 Control Head)
22	EXPANSION_PTT	Expansion PTT, works together with INT_MIC
23		
24	HANDSET_AUDIO	Handset audio to earpiece impedance has to be > 200 Ohm
25	NC	Not Connected

9-Pin subD Connector

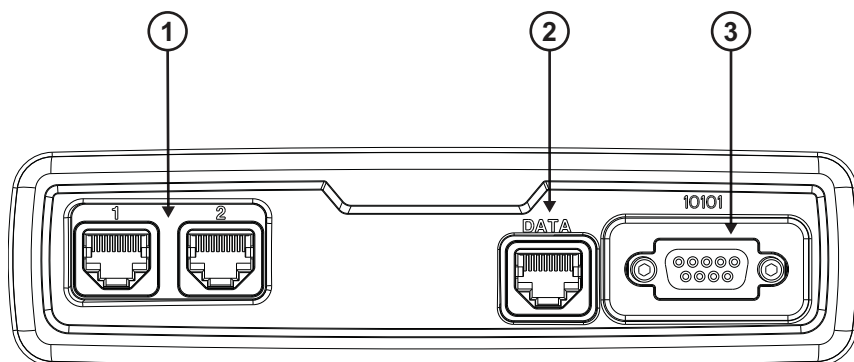
The pin assignment of this 9-pin subD connector follows the requirements of an RS232 standard interface with the RS232 voltage level. The cable (see section “Connecting Cables”) which has to be used is a standardized serial interface cable which allows to connect a data device with an RS232 Interface such as PC, Laptop, Console.


Table 53: 9–Pin subD Connector Pins

Pin	Function	Description	PC Direction
1	DCD	Data Carrier Detect	Input
2	RXD	Received Data Serial	Serial IN
3	TXD	Transmitted Data	Serial OUT
4	DTR	Data Terminal Ready	Output
5	GND	Ground Output	Output
6	DSR	Data Set Ready	Input
7	RTS	Request to Send	Output
8	CTS	Clear to Send	Input
9	RI	Ring Indicator	Input

Connectors and Pin Assignment of Ethernet Expansion Head

Figure 56: Ethernet Expansion Head Enhanced – Front View and Connector Location



Number	Description
1	Two 10-Pin Ethernet Connectors. (Connectors to the Control Heads).  Warning: Ethernet Expansion Heads are only compatible with Ethernet Remote Heads. Do not mix Ethernet control head with non-Ethernet control heads.
2	10-Pin Connector (used for SIM Connectivity)
3	9-Pin subD Connector



Note: TELCO cables cannot be used. The 10-Pin Ethernet cable can only be used to connect Ethernet Remote Mount Control Head or a Telephone Style Control Head.

Ethernet Control Head Interfaces

Table 54: Pin Assignment of the 10-Pin RJ50 Port 1 and Port 2 Connector – Ethernet Expansion Head

Pin	Function	Description
1	FLT_A+ (12V)	This is the voltage supply for EEH from power supply or battery
2	TX_P_P1	Ethernet transmit positive line, TX+
3	TX_N_P1	Ethernet transmit negative line, TX-
4	RX_P_P1	Ethernet receive positive line, RX+
5	GND	Main board GND
6	GND	Main boards GND
7	RX_N_P1	Ethernet receive negative line, RX-
8	CH_ON_OFF_OUTX_5V	ON/OFF control line Transceiver to Control Head

Table continued...

Pin	Function	Description
9	CH_ON_OFF_INX_5V	ON/OFF control line from Control Head to Transceiver
10	FLT_A+ (12V)	This is the voltage supply for EEH from power supply or battery

SIM Interface

Table 55: SIM Interface – Pins

Pin	Type	Description
1	SIM	TxD RS232
2	Ethernet	TX+
3	Ethernet	TX-
4	Ethernet	RX+
5	SIM	SIM Detect
6	SIM	GND
7	Ethernet	RX-
8	SIM	RxD RS232
9	SIM	SIM Reset
10	SIM	+12V

9-Pin subD Connector

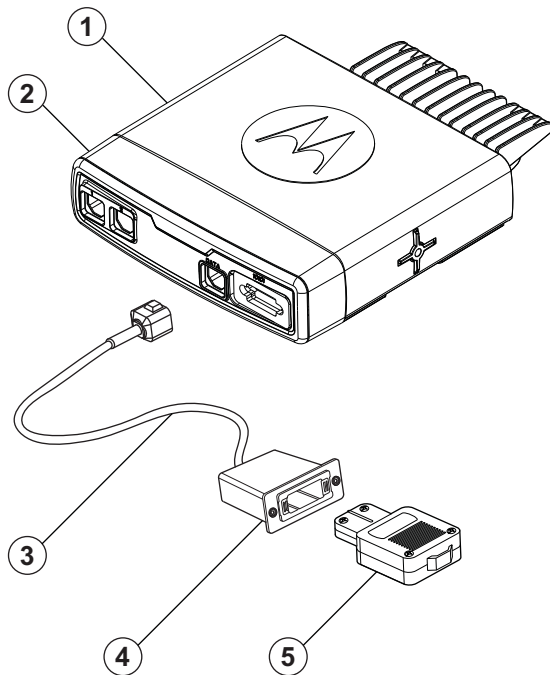
The pin assignment of this 9-pin subD connector follows the requirements of an RS232 standard interface with the RS232 voltage level. The cable (see section “Connecting Cables”) which has to be used is a standardized serial interface cable which allows to connect a data device with an RS232 Interface such as PC, Laptop, Console.


Table 56: 9–Pin subD Connector Pins

Pin	Function	Description	PC Direction
1	DCD	Data Carrier Detect	Input
2	RXD	Received Data Serial	Serial IN
3	TXD	Transmitted Data	Serial OUT
4	DTR	Data Terminal Ready	Output
5	GND	Ground Output	Output
6	DSR	Data Set Ready	Input
7	RTS	Request to Send	Output
8	CTS	Clear to Send	Input
9	RI	Ring Indicator	Input

SIM Card Reader

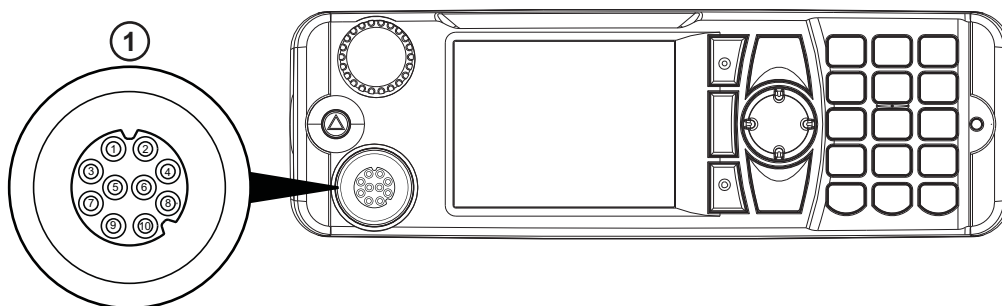
Figure 57: Ethernet Expansion Head with SIM Card Reader



Number	Description
1	Transceiver
2	Ethernet Expansion Head
3	SIM Card Reader cable PMKN4137_ or PMKN4142_
	 Warning: The SIM reader cable need to be connected to the SIM reader and the transceiver the right way. The cable is marked with SIM READER that indicates the SIM reader connector.
4	SIM Card Reader GMLN5246_
5	SIM Card Holder GMLN5101_

Connector and Pin Assignment of the Enhanced Control Head

Figure 58: Enhanced Control Head's Mobile Microphone Port Connector



Number	Description
1	View of the Enhanced Control Head's Mobile Microphone Port Connector



Note: The keypad labeling of the control head may vary according to the specific customer/country concerns.

Table 57: Enhanced Control Head's Mobile Microphone Port Connector

Mobile Microphone Port Pin	Default Functions	Alternative Functions	USB Functions	RS232 Functions	
1	1-WIRE	1-WIRE	1-WIRE	1-WIRE	
2	GPIO_3	PTT	GP Input or Output	GP Input or Output	RS-232-RTS
3	SPEAKER	SPEAKER	SPEAKER	SPEAKER	SPEAKER
4	GPIO_2	GPIO_2 INPUT	GP Input or Output	DATA -	RS-232-RXD
5	GND	GND	GND	GND	GND
6	OPT 5V	HIGH Impedance	OPT 5V	VBUS	OPT 5V
7	MIC +	MIC +	MIC +	MIC +	MIC +
8	GPIO_1	GPIO_1 INPUT	GP Input or Output	DATA +	RS-232-TXD
9	GPIO_4	HOOK	GP Input or Output	GP Input or Output	RS-232-CTS
10	GPIO_0	GPIO_0 INPUT	GP Input or Output, PWR ON	GP Input or Output, PWR ON	GP Input or Output, PWR ON



Note: The connector enters one of the 5 modes automatically based on the automatic detection of the connected accessory.

Figure 59: Enhanced Motorcycle Control Head — Rear View

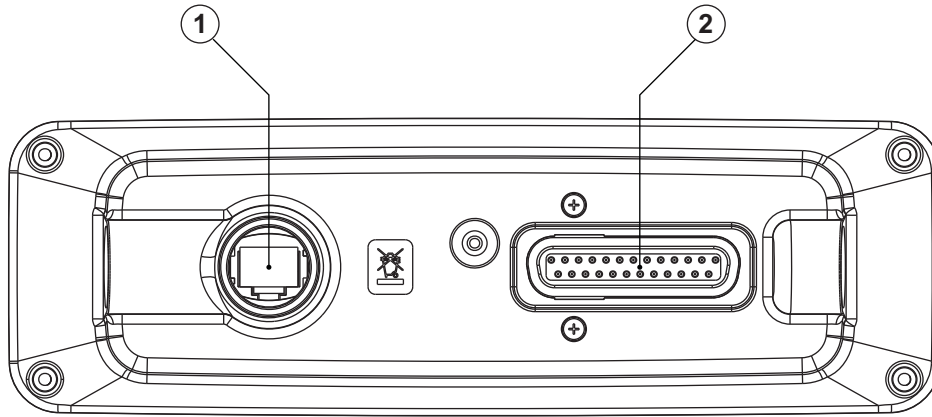


Figure 60: Remote Enhanced Control Head — Rear View

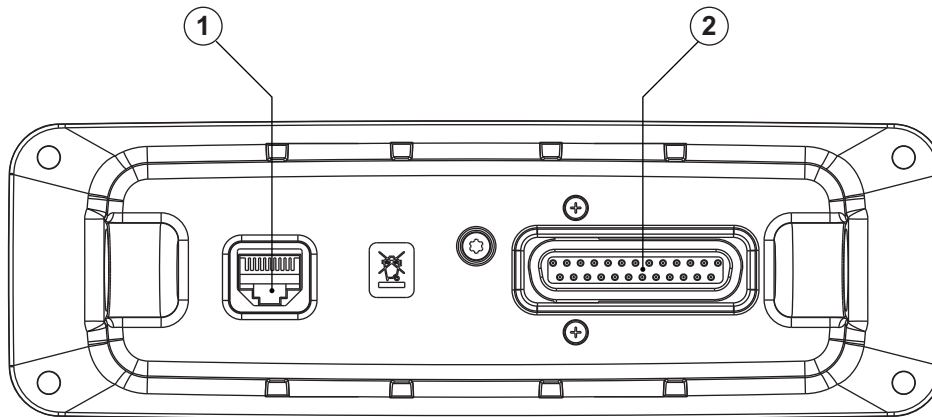
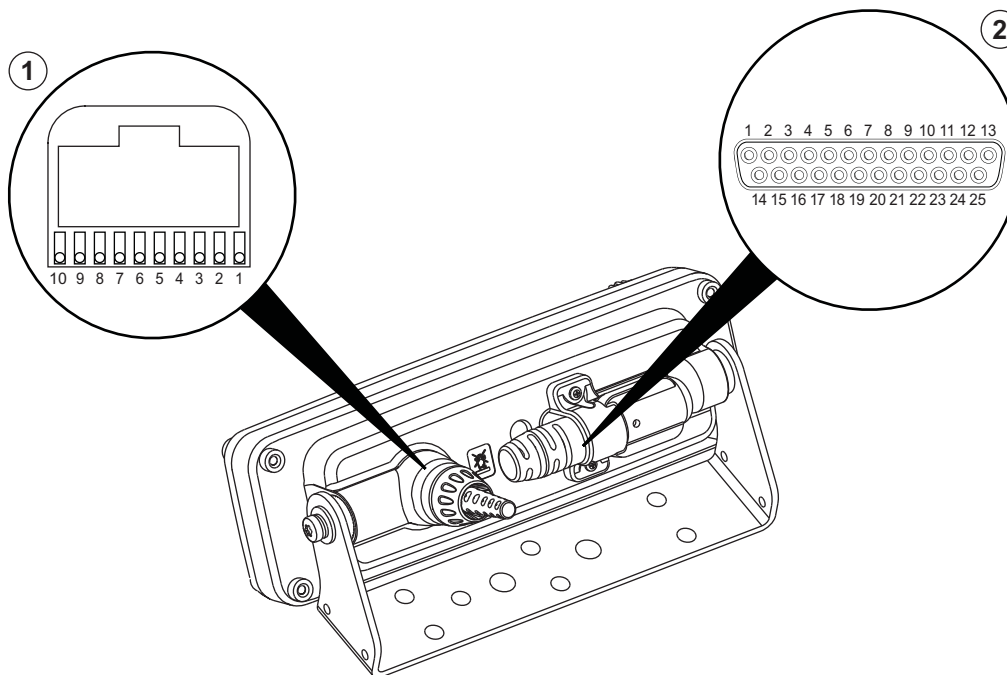


Figure 61: Enhanced Motorcycle Control Head — Rear Connectors





Note: Connectors on the Motorcycle Enhanced Control Head, and Remote Enhanced Control Head are the same. The housings and the cables are different.

Number	Description
1	10-Pin Telco Connector
2	25-Pin Back Connector

Table 58: 10–PIN Telco Connector

Telco Connector Pin	Function	Description
1	AUDIO +	Balanced Audio + (Bidirectional)
2	NC	Not Connected
3	BUS +	This is used for communication between the radio and an Enhanced Control Head.
4	AUDIO -	Balanced Audio - (Bidirectional)
5	NC	Not Connected
6	GND	Ground
7	Radio On/Off Control	This is the Enhanced Control Head service request input. A level of 5 volts indicates that the Enhanced Control Head needs to communicate with the radio. In addition it switches on the radio's voltage regulators. The idle state is a level below 0.6V.
8	SCI_TX	This is for communication between the radio and the Enhanced Control Head.
9	FLT_A +	This voltage is at battery voltage level and is available as long as the radio is connected to the supply voltage. The maximum current is 300mA. A fuse in the radio prevents further circuit damage in case of shorting this pin to ground.
10	Analog Ground	Analog Ground

Table 59: 25–PIN Back Connector

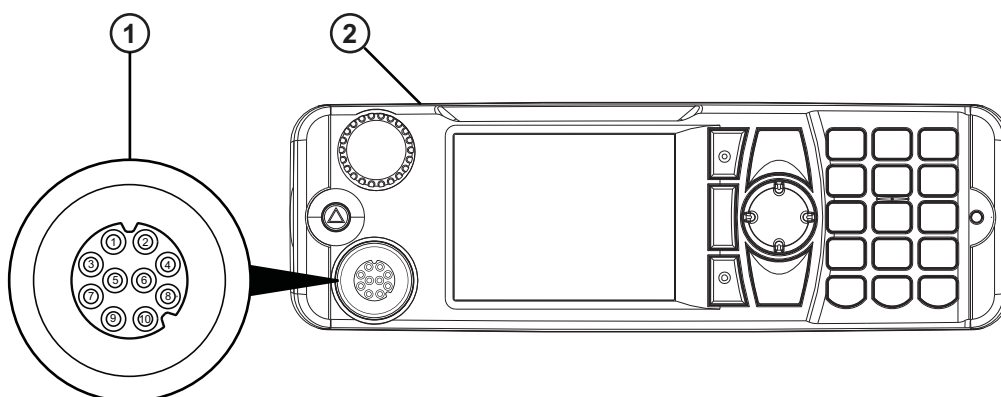
Back Connector Pin	Function	Description	Default
1	GPIO_9	NGCH GPIO4	Output: Active for duration of call (car radio mute). Can be used as a trigger to a local logger device.
2	GPIO_6	External PTT for MIC_REAR_2	PTT Input, TX audio from MIC_REAR_2
3	GPIO_8	NGCH GPIO2 (CPS configurable)	Disabled

Table continued...

Back Connector Pin	Function	Description	Default
4	GPIO_3	GCAI PIN 2 Mobile Microphone Port, External PTT or MIC_REAR_1, Ground Pin 8 to activate MIC_REAR_1	PTT Input, TX audio from MIC_REAR_1
5	VBUS_1B	GCAI PIN 6: 5V Supply	Disabled
6	REAR_D -	GCAI PIN 4: USB D -, GPIO_2 (Shared with the front MMP)	Disabled
7	REAR_D +	GCAI PIN 8: USB D +, GPIO_1 (Shared with the front MMP)	Disabled
8	GPIO_0	GCAI PIN 10: GPIO	Input: GCAI detection / Select Line
9	VBUS_2	Second USB 5 V Supply	Disabled
10	TX	4-wire RS232 TX	
11	RX	4-wire RS232 RX	
12	MIC_REAR_2	2nd Microphone Input (MIC_REAR_2), Nominal sensitivity 80mVrms, Bias voltage 9.3V	Disabled
13	GND	Ground	
14	GPIO_5	NGCH GPIO1 (CPS configurable)	Disabled
15	GPI_7	4-Level Analogue Input	Enabled
16	1_WIRE	GCAI PIN 1: Bi-directional Serial Bus	Disabled
17	HANDSET	GCAI PIN 3: Handset Audio Output	Parallel to front GCAI
18	GND	GCAI PIN 5: Ground	
19	MIC_REAR_1	External Microphone Input (MIC_REAR_1), Connected to GCAI PIN 7, Nominal sensitivity 80mVrms Bias voltage 9.3V, (Ground PIN 8 to activate)	Disabled
20	GPIO_4	GCAI PIN 9: GPIO	Hook Input
21	USB_D +	Second USB D +	
22	USB_D -	Second USB D -	
23	RTS	4-wire RS232 RTS	
24	CTS	4-wire RS232 CTS	
25	PWR_ON	Enhanced Control Head Power On Input	

Connector and Pin Assignment of Ethernet Control Head (eCH)

Figure 62: View of the Ethernet Control Head (eCH) with Mobile Microphone Port Connector



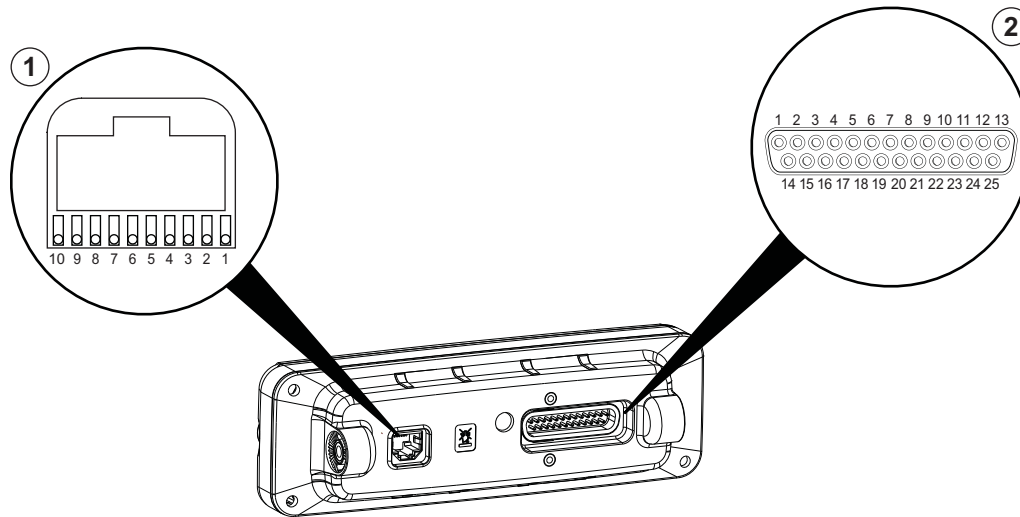
Number	Description
1	View of the Ethernet Control Head's Mobile Microphone Port Connector
2	Ethernet Control Head

Table 60: Mobile Microphone Port Connector

Mobile Microphone Port Pin	Default Functions	Alternative Functions	USB Functions	RS232 Functions	
1	1-WIRE	1-WIRE	1-WIRE	1-WIRE	
2	GPIO_3	PTT	GP Input or Output	GP Input or Output	RS-232-RTS
3	SPEAKER	SPEAKER	SPEAKER	SPEAKER	SPEAKER
4	GPIO_2	GPIO_2 INPUT	GP Input or Output	DATA -	RS-232-RXD
5	GND	GND	GND	GND	GND
6	OPT 5V	HIGH Impedance	OPT 5V	VBUS	OPT 5V
7	MIC +	MIC +	MIC +	MIC +	MIC +
8	GPIO_1	GPIO_1 INPUT	GP Input or Output	DATA +	RS-232-TXD
9	GPIO_4	HOOK	GP Input or Output	GP Input or Output	RS-232-CTS
10	GPIO_0	GPIO_0 INPUT	GP Input or Output, PWR ON	GP Input or Output, PWR ON	GP Input or Output, PWR ON



Note: The connector enters one of the 5 modes automatically based on the automatic detection of the connected accessory.

Figure 63: Ethernet Control Head — Rear Connectors

Number	Description
1	10-Pin Ethernet Connector
2	25-Pin Back Connector

Table 61: 10–Pin Ethernet Connector

Pin	Function	Description
1	FLT_A+ (12V)	This is the voltage supply for the Control Head from power supply or battery
2	TX+ Ethernet	Ethernet transmit positive line, TX+
3	TX– Ethernet	Ethernet transmit negative line, TX-
4	RX+ Ethernet	Ethernet receive positive line, RX+
5	GND	Main board GND
6	GND	Main board GND
7	RX- Ethernet	Ethernet receive negative line, RX-
8	CH_ON_OFF_OUT1_5V	ON/OFF control line from Transceiver to Control Head
9	CH_ON_OFF_IN1_5V	ON/OFF control line from Control Head to Transceiver
10	FLT_A+ (12V)	The voltage supply for the Control Head from power supply or battery

Table 62: 25–Pin Back Connector

Pin	Function	Description
1	GPIO_9	Output: Active for duration of call (car radio mute)
2	GPIO_6	External PTT for MIC_HF1, Ethernet Control Head GPIO6
3	GPIO_8	Control Head GPIO2 (CPS configurable)

Table continued...



Pin	Function	Description
4	GPIO_3	GCAI PIN 2 GPIO
5	VBUS_1B	+5 V Supply, Connected to Pin 6 of Mobile Microphone Port
6	REAR_D -	Rear handset D+ line
7	REAR_D +	Rear handset D- line
8	GPIO_0	GCAI Pin 10 GPIO
9	EXT_PWR_12V	External power supply, 12V or 24V for External Speaker
10	1_Wire	1-wire [®] bi-directional serial bus, Connected to GCAI Pin 1 of Mobile Microphone Port
11	MIC_HF1_GND	Ground for external microphone MIC_HF1
12	MIC_HF1	External microphone input (MIC_HF1), Nominal sensitivity: 80mV rms, Bias voltage: 9.3V or 2.1V (Selected accessory dependent)
13	GND	GND Common Ground
14	GPIO_5	Control Head GPIO1 (CPS configured/enabled)
15	GPIO_7	4 Level Analogue Input, 33k to 5.0V PU
16	1_WIRE	1-wire [®] bi-directional serial bus, dedicated to power-up detection of IMPRES Visor Mic (input MIC_HF1)
17	REAR_AUDIO	Handset VOL controlled audio output, Min RL = 150 Ohm unbalanced, Connected to GCAI Pin 3 Mobile Microphone Port Connector
18	GND	GND, Connected to GCAI Pin 5 Mobile Microphone Port
19	MIC_MMP_REAR	Rear microphone input MIC_MMP_REAR, Input 80mV rms, Bias voltage 7.7V, Connected to GCAI Pin 7 Mobile Microphone Port
20	GPIO_4	GPIO, Hook Input, Connected to GCAI Pin 9 Mobile Microphone Port.
21	SPK +	Speaker positive line  Warning: Do not ground!
22	SPK -	Speaker negative line

Table continued...

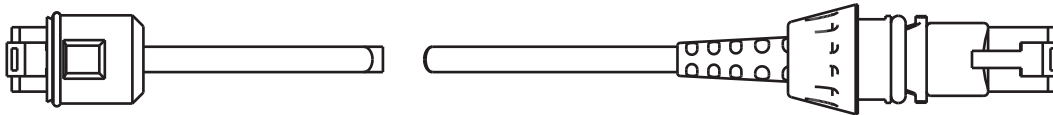
Pin	Function	Description
		 Warning: Do not ground!
23	MIC_HF2_GND	Ground for external MIC_HF2
24	MIC_HF2	2nd external microphone input MIC_HF2, Nominal sensitivity 80mV rms, CPS selectable bias voltage 7.7V or 2V
25	RM_ON	Turn on Control Head through accessories

Connecting Cables

Motorcycle Mount TELCO Cable

Motorcycle Mount TELCO Cable (to connect Motorcycle Mount Enhanced Control Head to the Remote Head Enhanced/Data Expansion Head Enhanced). Part Number: PMKN4030_, Length: 2.3 m (7.55 ft)

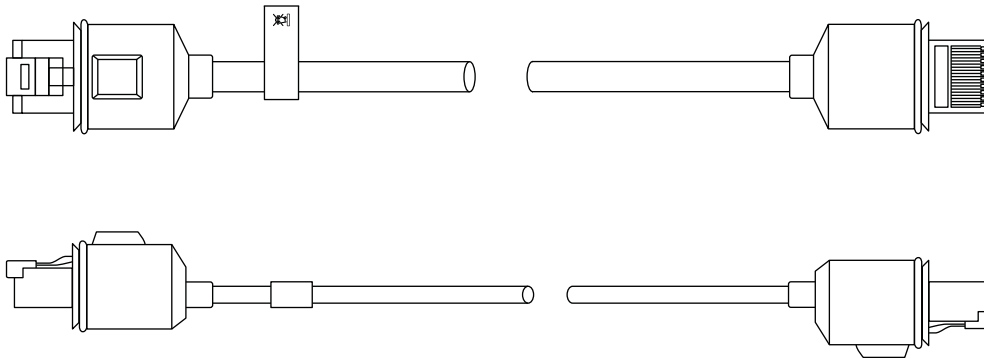
Figure 64: Motorcycle Mount TELCO Cable



Remote Mount Cables

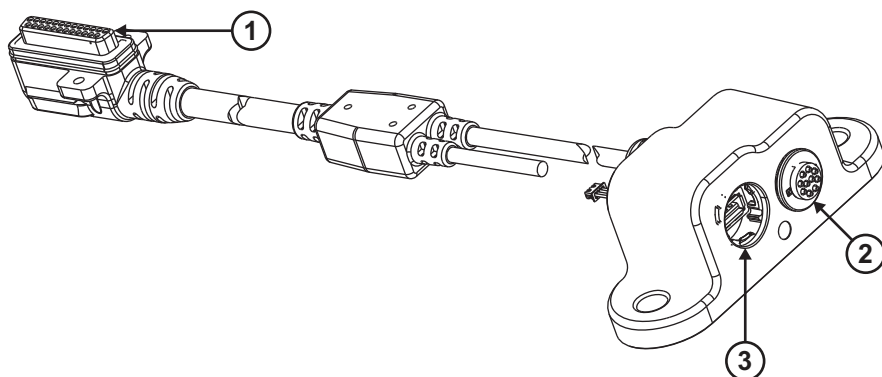
Remote Mount Cables (to connect Remote Mount Enhanced Control Head to the Remote/Expansion Head) – RKN4077/8/9, PMKN4020

Figure 65: Remote Mount Cable



Accessories Expansion Cable

Accessories Expansion Cable (to connect Remote Mount Enhanced Control Head/Motorcycle Mount Enhanced Control Head to accessories). Part Number: PMKN4029_

Figure 66: Accessories Expansion Cable

Number	Description
1	subD Connector
2	Mobile Microphone Port
3	USB Connector

Table 63: Accessories Expansion Cable — Connections

USB A JACK	Signal	subD 25 Pos
1	VBUS	9
2	D-	22
3	D+	21
4	Ground	18
Mobile Microphone Port (MMP)		
1	1_WIRE	16
2	GPIO_3 / OTG-ID / RTSc (PTT)	4
3	Speaker to Headset	17
4	GPIO_2 / D- / RxDc	6
5	GND (Ground)	—
6	Opt_5V / VBUS	5
7	Mic+	19
8	GPIO_1 / D+ / TxDc	7
9	GPIO_4 / CTSc / Keyfail (HOOK)	20
10	GPIO_0 / Pwr On	8
Customised Wire Color		
BROWN / BLACK	GPIO_9	1
ORANGE / BLACK	GPIO_6	2
YELLOW / BLACK	GPIO_8	3

Table continued...

LIGHT BLUE	GPIO_2	6
TURQUOISE	GPIO_1	7
GREEN / BLACK	TX	10
BLUE / BLACK	RX	11
GRAY / BLACK	MIC_2	12
BLUE	Ground	13
PINK / BLACK	GPIO_5	14
BLACK / WHITE	GPI_7	15
USB A JACK	Signal	subD 25 Pos
BROWN / WHITE	RTS	23
RED / WHITE	CTS	24
ORANGE / WHITE	Power On	25
RED / BLACK	Headset	17
YELLOW / WHITE	Ground	—

Connector and Pin Assignment for Cradle (Telephone Style Control Head)

At the back of the TSCH Cradle, there are two connectors:

- 10-PIN Audio Connector
- RJ50 Connector

See the following tables for the Pin assignments of these two.

Table 64: Pin Assignment of the 10-Pin Audio Connector – Telephone Style Control Head

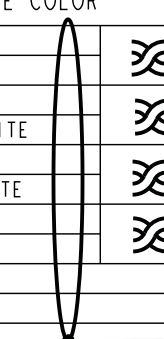
PIN	Function	Description
1	EXT_PWR_12	This is the external voltage supply (12V or 24 V) from power supply or battery for external speaker
2	PTT2	CPS configurable GPIO
3	PTT1	External PTT (for HF MIC 2)
4	EMERGENCY_FT_SW	Emergency signal line from external MIC
5	EXT_MIC	External MIC input line
6	GND	Main board GND
7	SPKR+	Output to External Speaker
8	SPKR-	Output to External Speaker
9	1-WIRE	1-Wire® bi-directional serial bus for accessories ID identification
10	Analog Ground	Analog Ground

Table 65: Pin Assignment of the 10-Pin RJ50 Connector – Telephone Style Control Head

PIN	Function	Description
1	FLT_A+ (12V)	This is the voltage supply for the Control Head from power supply or battery. The maximum current is 300mA
2	ETH_TX_POS	Ethernet transmit positive line, TX+
3	ETH_TX_NEG	Ethernet transmit negative line, TX-
4	ETH_RX_POS	Ethernet receive positive line, RX+
5	GND	Main board GND
6	GND	Main board GND
7	ETH_RX_NEG	Ethernet receive negative line, RX-
8	CH_ON_OFF_OUT1_5V	ON/OFF control line from Transceiver to Control Head
9	CH_ON_OFF_IN1_5V	ON/OFF control line from Control Head to Transceiver
10	FLT_A+ (12V)	This is the voltage supply for the Control Head from power supply or battery. The maximum current is 300mA

Ethernet Cables

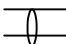
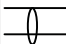
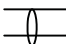
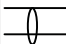






















Figure 67: Ethernet Cable Pin Diagram

CONNECTION						
EEH	PI	WIRE COLOR		AWG SIZE	P2	CH
12V	1	RED		26	1	12V
GND	5	BLACK		26	5	GND
TX+	2	GREEN		26	2	TX+
TX-	3	GREEN/WHITE		26	3	TX-
RX+	4	BLUE		26	4	RX+
RX-	7	BLUE/WHITE		26	7	RX-
GND	6	BROWN		26	6	GND
12V	10	YELLOW		26	10	12V
CH ON/OFF OUT	8	ORANGE		26	8	CH ON/OFF OUT
CH ON/OFF IN	9	GRAY		26	9	CH ON/OFF IN
SHELL		DRAIN		24		CUT

Remote Ethernet Control Head Y-Cable (Accessories Expansion Cable)

Part Number: PMKN4133_

Figure 68: RECH Y-Cable Pin Diagram

CONNECTION									
P1	SIGNAL NAME	WIRE COLOR(CABLE 1)	SR MOLD	WIRE COLOR	P2	P3	P4	P5	P6
16	1_WIRE	BLACK 28#	—	CABLE 1/BLACK 28#	1				
4	GPIO_3/PTT(GCAI)	YELLOW 28#	—	CABLE 1/YELLOW 28#	2				
17	REAR_AUDIO	GREEN 28#	—	CABLE 1/GREEN 28#	3				
5	VBUS_1B	WHITE 26#	—	CABLE 1/WHITE 26#	6				
18	MC_MMP_REAR GND	 DRAIN 26#	—	 CABLE 1/DRAIN 26#	5				
19	MIC_MMP_REAR	 WHITE 28#	—	 CABLE 1/WHITE 28#	7				
6	REAR_D-	 BROWN 28#	—	 CABLE 1/BROWN 28#	4				
7	REAR_D+	 ORANGE 28#	—	 CABLE 1/ORANGE 28#	8				
20	GPIO_4	BLUE 28#	—	CABLE 1/BLUE 28#	9				
—	GPIO_0	GRAY 28#	—	CABLE 1/GRAY 28#	10				
1	GPIO_9	BROWN/BLACK 28#	●—	CABLE 2/BROWN 28#		OPEN			
—	GPIO_6/PTT1	ORANGE/BLACK 28#	●—	CABLE 2/ORANGE 28#		OPEN			
3	GPIO_8/PTT2	YELLOW/BLACK 28#	●—	CABLE 2/YELLOW 28#		OPEN			
10	1_WIRE	GREEN/BLACK 28#	●—	CABLE 2/GREEN 28#		OPEN			
11	MIC_HF1_GND(ANALOG_GND_2)	 PINK 28#	●—	 CABLE 2/PINK 28#		OPEN			
12	MIC_HF1	 PURPLE 28#	●—	 CABLE 2/PURPLE 28#		OPEN			
13	GND	 DRAIN*3 26#	●—	 CABLE 2/DRAIN*3 26#		OPEN			
14	GPIO_5	BLUE/BLACK 28#	●—	CABLE 2/BLUE 28#		OPEN			
15	GPI_7	GRAY/BLACK 28#	●—	CABLE 2/GRAY 28#		OPEN			
17	REAR_AUDIO	PINK/BLACK 28#	●—	CABLE 2/RED 28#		OPEN			
23	MIC_HF2_GND(ANALOG_GND_1)	 LIGHT BLUE 28#	●—	 CABLE 2/LIGHT BLUE 28#		OPEN			
24	MIC_HF2	 LIGHT GREEN 28#	●—	 CABLE 2/LIGHT GREEN 28#		OPEN			
21	SPKR+	 BROWN 20#	●—	 CABLE 4/BROWN 20#					OPEN
22	SPKR-	 ORANGE 20#	●—	 CABLE 4/ORANGE 20#					OPEN
25	PWR_ON	TAN 28#	●—	CABLE 2/BLACK 28#		OPEN			
9	EXT_PWR_12/24V	 RED 20#	●—	 CABLE 3/RED 20#+FUSE			OPEN		
18	GND	 BLACK 20#	●—	 CABLE 3/BLACK 20#				OPEN	













Related Links

[Adding Extra Accessories to the Ethernet Control Head \(eCH\) and Telephone Style Control Head \(TSCH\)](#) on page 51

Telephone Style Control Head Y-Cable (Accessories Expansion Cable)

Part Number: PMKN4134_

Figure 69: TSCH Y-Cable Pin Diagram

CONNECTION									
P1	SIGNAL NAME	WIRE COLOR(CABLE 1)	SR MOLD	WIRE COLOR	P2	P3	P4	P5	
2	PTT2/GPI2	BLACK 28#	●—	CABLE 2/BLACK 28#	OPEN				
3	PTT1/GPI1	GREEN 28#	●—	CABLE 2/GREEN 28#	OPEN				
4	Emergency	BLUE 28#	●—	CABLE 2/BLUE 28#	OPEN				
7	Speaker+	BROWN 20#		 CABLE 3/BROWN 20#					OPEN
8	Speaker-	ORANGE 20#		 CABLE 3/ORANGE 20#					OPEN
5	Microphone Input	RED 28#		 CABLE 2/RED 28#	OPEN				
10	Analog Ground	WHITE 28#		 CABLE 2/WHITE 28#	OPEN				
9	1-WIRE	YELLOW 28#	●—	CABLE 2/YELLOW 28#	OPEN				
1	External Power 12/24V	RED 20#		 CABLE 4/RED 20#+FUSE		OPEN			
6	Power Ground	BLACK+DRAIN 24#		 CABLE 4/BLACK+DRAIN 24#	OPEN		OPEN		

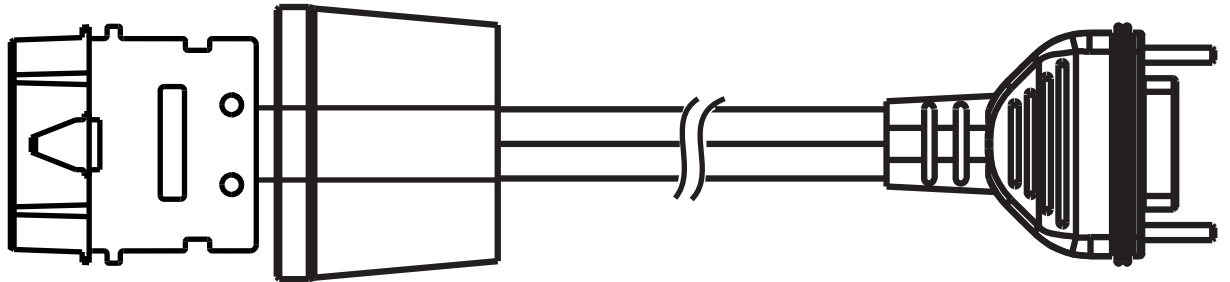
Related Links

[Adding Extra Accessories to the Ethernet Control Head \(eCH\) and Telephone Style Control Head \(TSCH\)](#) on page 51

Radio-to-Junction Box

Part Number: PMKN4101_ Length: 6 m (19.69 ft)

Figure 70: Connecting Cable - Radio-to-Junction Box

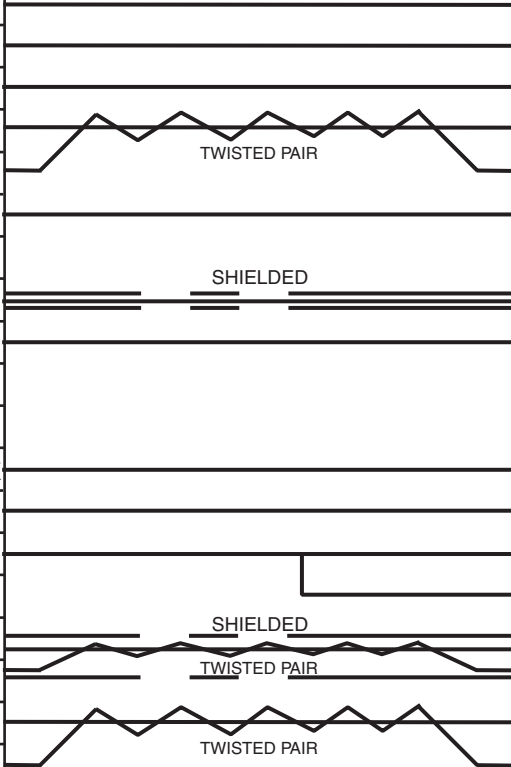


TERMINAL ACCESSORY CONNECTOR
26-Pin AMP

JUNCTION BOX CONNECTOR
20-Pin subD

Pin	From (Signal Name)	Wire Gage	Wire Colour
1	USB_D+		
2	USB_D-		
3	USB_VBUS		
4	GND (USB)		
5	1 WIRE APM		
6	KEYFAIL/FLASH	26	GREY
7	SWB+	20	RED
8	GND (PWR, GPIO, VIP)	20	WHITE
9	SPEAKER-	20	BLUE
10	SPEAKER+	20	BROWN
11	TX_AUDIO	26	TAN
12	AN_GND		DRAIN X2
13	MIC1	26	RED
14	RX_AUDIO	26	WHITE/BLACK
15	MIC2		
16	GND (MIC)		
17	EXT_PTT	26	YELLOW/BLACK
18	SCI_DTR	26	GREEN/WHITE
19	HOOK/AUDIO PA	26	BLUE/YELLOW
20	SCI_TXD	26	GREEN
22	SCI_RXD	26	VIOLET
21	RS232_RTS	26	ORANGE
24	RS232_CTS	26	RED
23	EMERGENCY	26	GREEN/BLACK
25	IGNITION	26	PINK
26	EXT_ALARM	26	BLUE/WHITE

Pin	To (Signal Name)
19	KEYFAIL/FLASH
6	SWB+
4	D_GND
3	SPKR-
1	SPKR+
5	TX_AUDIO
9	AUDIO_GND
11	EXT_MIC
2	RX_AUDIO
22	EXT_PTT
16	DTR
7	HOOK
8	AUDIO_PA_ENA
13	RX (UART TX)
23	TX (UART RX)
18	RTS
14	CTS
21	EMERGENCY
15	IGNITION
20	EXT_ALARM



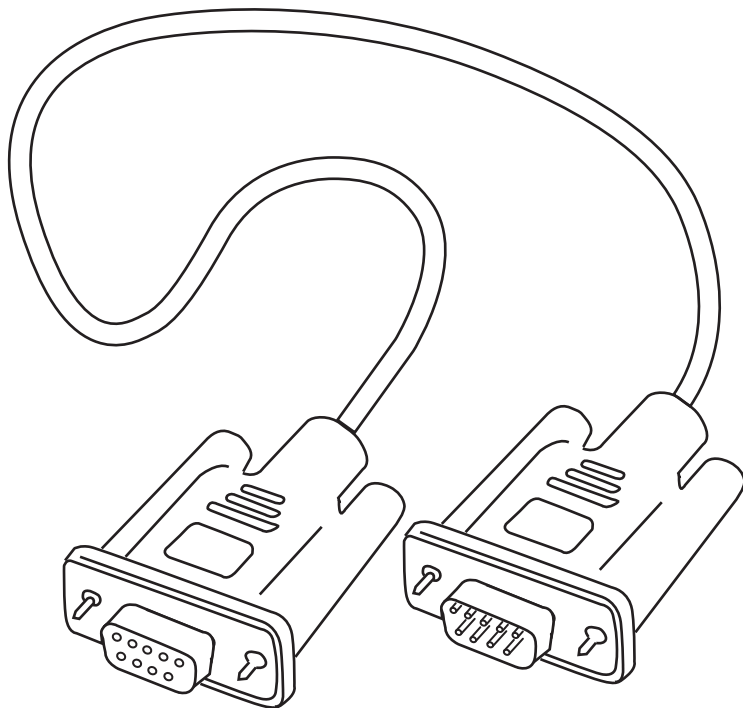


Note: The keypad labeling of the control head may vary according to the specific customer/country concerns.

Data Expansion Head Enhanced Radio-to-Data Device

This is a standardized RS232 cable (not provided by Motorola). Use the 9-pin socket on the front side of the Data Expansion Head Enhanced Radio to connect this cable with the data device.

Figure 71: Standardized RS232 Cable



Note: The Data Expansion Head Enhanced has a protection grade of IP54. To maintain IP54 sealing when connecting an RS232 data cable make sure to use an IP54 specified cable (example: ROLINE AT-Modem cable ST-BU 1.8 m order no. 11.01.4518).

Data Expansion Head Enhanced Radio-to-Fist Microphone

The GMKN4072_ Connecting Cable replaces the existing coiled cord cable of the fist microphone (Motorola Part Number: GMMN4063_).



Note: The GMKN4072_ originally is terminated with a 20-pin connector. Use the PMLN5072_ accessory connector kit to rerimp it.

Operation

Connect the crimped wires of the cable into the 26-pin Accessory Connector (delivered with speaker RSN4002_) and then plugged into the 26-pin connector on the rear side of the radio. The other end has a connector which fits into the fist microphone housing.

Making Connections

First connect the exposed four wires to the 26-pin Accessory Connector as shown in Figure 1 and then plug the connector block into the 26-pin accessory socket on the rear side of the radio. The connector block plugs into the 26-pin accessory connector (four outside pins do not connect).

Removing the Existing Coiled Cord Cable

Procedure:

- 1 Rotate the locking collar at the base of the microphone in a counterclockwise direction until it stops.
- 2 Pull out the cord and away from the base of the microphone.
- 3 Install the new coiled cord GMKN4072_ in a reverse order of removal.

Part Number: GMKN4072_, Length: 65 cm (2.2 ft)

Figure 72: Pin Assignment of Cable from Accessory Connector to Microphone Housing

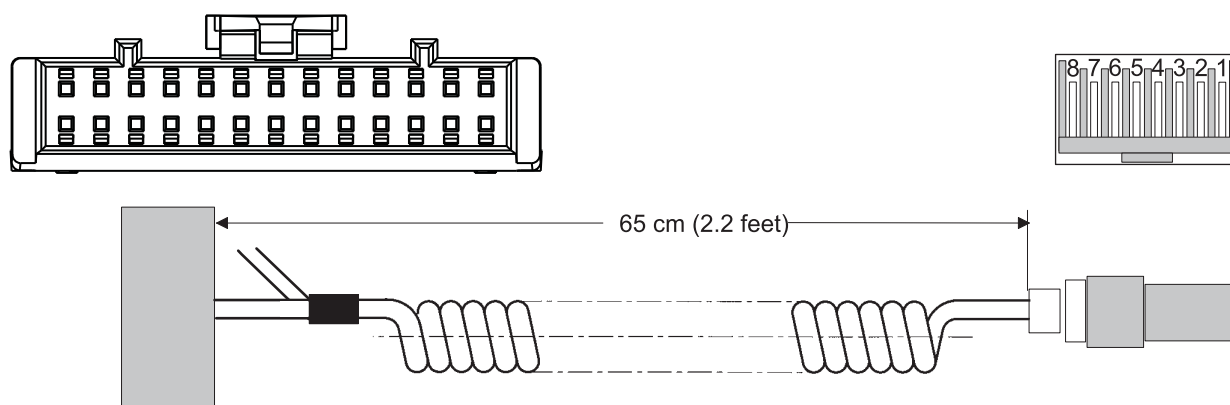


Table 66: Pin Assignment of Cable from Accessory Connector to Microphone Housing

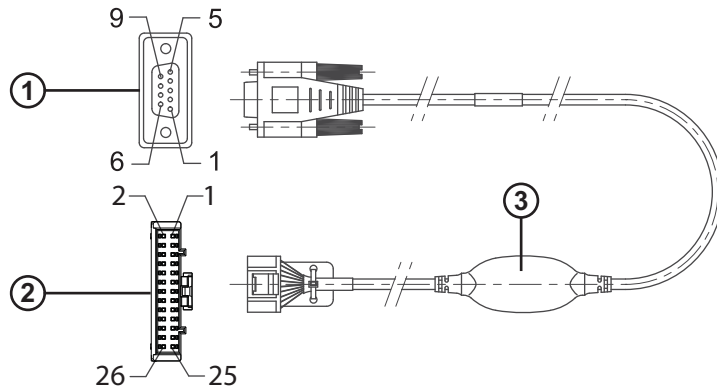
To Accessory Connector (left)		To Microphone Housing (right)	
1	nc	1	nc
...	...	2	nc
11	nc	3	PTT (white)
12	GND (black)	4	EXT_MIC (blue)
13	EXT_MIC (blue)	5	GND (black)
14	nc	6	HOOK (red)
15	nc	7	nc
16	nc	8	nc
17	EXT_PTT (white)		
18	nc		
19	HOOK (red)		
20	nc		
...	...		
26	nc		

Radio-to-Data Device: Active Data Cable

The PMKN4104_ Active Data Cable provides a 5-wire RS232 interface (for example, Rx/D, Tx/D, CTS, RTS, DTR) between a computer and a mobile radio. The cable has to be connected to the 26-pin Accessory Connector on the rear

side of the radio and into the 9-pin connector of a Data Device (for example, PC, Laptop, console). The PMKN4104_ Active Data Cable is not repairable. Order a replacement cable as necessary: Length: 2.0 m (6.56 ft).

Figure 73: Active Data Cable PMKN4104_



Number	Description
1	To the computer
2	To Radio Accessory Connector
3	Radio Interface Box

Table 67: Pin Assignment - Active Data Cable PMKN4104_

26-Pin Connector	Function	Colour
17	Ext PTT (+5V)	Black
8	GND_MAIN	Yellow
7	SWB+	Brown
18	DTR	Red
24	CTS	White
21	RTS	Blue
20	TxD	Gray
22	RxD	Tan

Chapter 6

External Equipment Installation

Vehicle Antenna Installation

Mobile Radio Operation and EME Exposure

To assure optimal radio performance and that human exposure to radio frequency electromagnetic energy is within the guidelines referenced in this document, transmit only when people inside and outside the vehicle are at least the minimum distance away from a properly installed, externally mounted antenna. The following table lists the minimum distance for several different ranges of rated radio power.

Table 68: Related Power and Distance

Mobile Radio Rated Power (see Note below)	Minimum Lateral Distance from Vehicle Body
Less than 7 Watts	20 Centimetres (8 inches)
7 to 14 Watts	30 Centimetres (1 Foot)
15 to 39 Watts	60 Centimetres (2 Feet)
40 to 110 Watts	90 Centimetres (3 Feet)



Note: If you are not sure about the rated power of your radio, contact your Motorola representative or dealer and supply the radio model number found on the radio model label. If you cannot determine the rated power out, then assure 90 cm (3 ft) separation from the body of the vehicle.

Selecting an Antenna Site

Procedure:

- 1 Install the vehicle antenna external to the vehicle and in accordance with:
 - The requirements of the antenna manufacturer/supplier
 - The requirements of the vehicle manufacturer
- 2 If you use the trunk lid, ensure that the trunk lid is grounded by connecting grounding straps between the trunk lid and the vehicle chassis.
- 3 Ensure that the antenna cable can be easily routed to the radio. Ensure that the antenna cable is routed separately and not in parallel to any other vehicle wiring or mobile radio cable wiring.



Caution: Make sure that your power cable is not placed with the antenna in parallel. Interference can cause radio to hang.

- 4 Check the antenna location for any electrical interference according to vehicle manufacturer requirements.
- 5 The minimum distance between the antenna and the radio/accessories should be at least 91.5 cm (3 feet).
- 6 Make sure that the mobile radio antenna is installed at least 30 centimeters (1 ft) away from any other antenna on the vehicle.



Note: Any two metal pieces rubbing against each other (such as seat springs, shift levers, trunk and hood lids, exhaust pipes, and so on) close to the antenna can cause severe receiver interference.

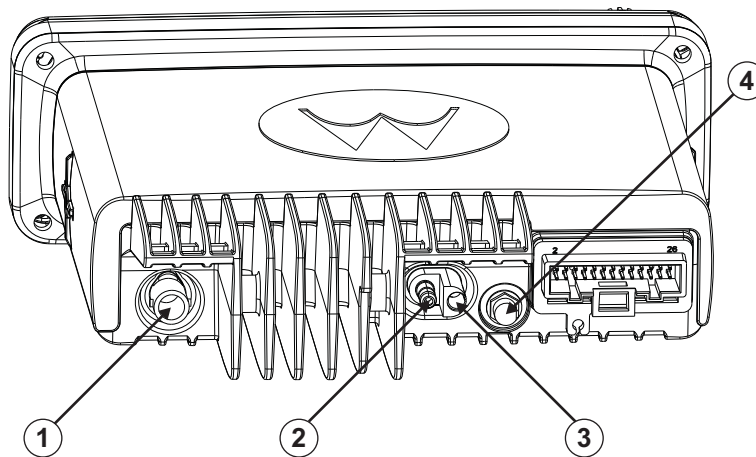
- 7 If a GPS or combined TETRA/GPS antenna is used, make sure that the antenna has a clear view to the sky and that the antenna base which carries the GPS receiver is not covered with any metallic or radio frequency absorbing material.
- 8 Install covert glass mount antenna in the center of the front or rear windshield only so that the separation distance between the antenna and bystanders outside the vehicle or passengers inside the vehicle is at least 11 cm (30 cm for 350MHz, 450MHz). Do not install on side windows. This is to ensure compliance with ICNIRP RF energy exposure limits.
- 9 Install bumper antenna with the consideration that the separation distance between the antenna and bystanders outside the vehicle or passengers inside the vehicle is at least 11 cm (30 cm for 350MHz and 450MHz). This is to ensure compliance with ICNIRP RF energy exposure limits.

Installing Antenna

Procedure:

- 1 Mount the antenna according to the instructions provided with the antenna kit. Run the coaxial cable to the radio mounting location. If necessary, cut off the excess cable and install the cable connector.
- 2 Connect the antenna cable connector to the radio antenna connector on the rear of the radio.
- 3 If applicable, connect the GPS antenna to the GPS antenna connector PMKN4114_ on the rear side of the radio.

Figure 74: Connections to the Rear Side of the Radio



Number	Description
1	Antenna BNC Connector
2	Battery +
3	Battery -
4	GPS Antenna SMA Connector

Completing Radio Installation

Procedure:

- 1 Mount the microphone clip to a convenient spot near your radio.
- 2 If your microphone has a telephone-type connector at the end of its cord, plug this connector into the 10-pin TELCO connector of your Junction Box.

**Caution:**

DO NOT use the 10-pin TELCO connector of Data Expansion Head Enhanced or Remote Head Enhanced to plug in a microphone.

- 3 Plug the power cable into the radio power connector.

**Note:**

Motorola supplies a wide range of antennas and associated coaxial cables correctly terminated for use with the mobile radio. However should the need arise to carry out reinstallation or repair of a cable or connector then suitable information on selection and installation of replacement connectors and cables can be found on most recognized connector and cable manufacturers, for example Radiall, Huber and Suhner, Samtec.

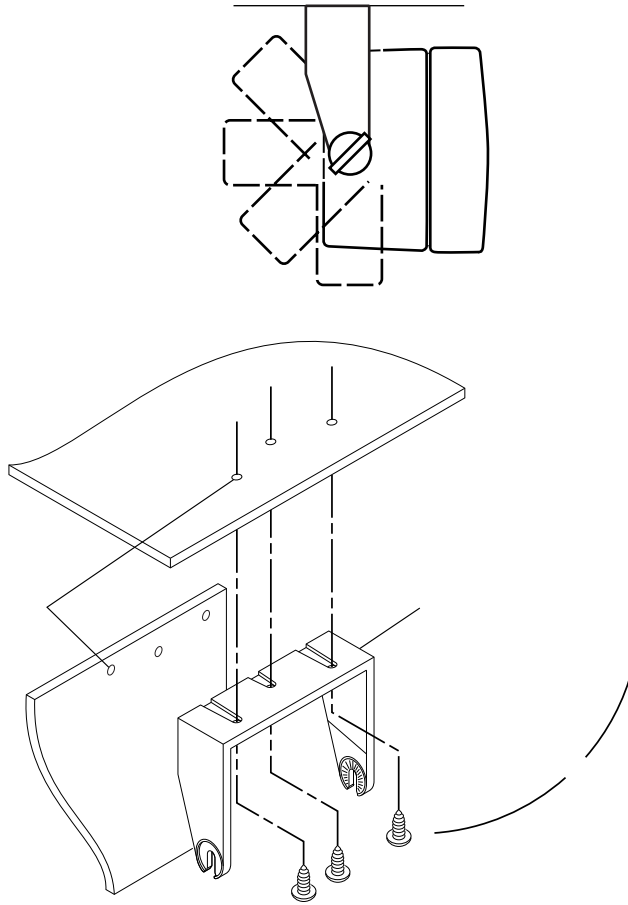
The BNC Connector should be typically of the crimped variety, likewise the SMA, or FME Connector used for GPS should also be of the crimped variety. Coaxial cable should be screened and low loss, see the individual specification sheets for the antennas to find details of specific cable types and or connectors. Additionally see the TETRA Interface Specification for the mobile radios for further information.

Installing External Speaker

Procedure:

- 1 Remove the speaker from the trunnion bracket by loosening the two wing screws.
- 2 Choose a place to mount the speaker. When mounting the trunnion on the transmission hump, be careful that the transmission housing is not affected.
- 3 Use the trunnion bracket as a template to mark the positions of the mounting holes.
- 4 Centre-punch the spots you marked and drill a 4 mm (5/32-inch) diameter hole at each location.

Figure 75: External Speaker Trunnion Bracket



FL0830253-O

- 5 Mount the trunnion bracket with the screws supplied.
- 6 Insert the speaker into the trunnion bracket and tighten the two wing screws.
- 7 Insert the external speaker accessory plug into the accessory connector of the radio.

Appendix

A

Service Information – EIA

Service orders are dealt with by two centres: European Radio Support Centre (ERSC) and European Systems and Components Centre (ESCC). This section contains contact details to service centers in Europe, Middle East, and Africa.

European Radio Support Centre (ERSC)

ERSC provides a remote Technical Support Service to help customers resolve technical issues and quickly restore their systems. The centre handles service orders for subscribers and accessories. This team of highly skilled professionals is available to the customers that have current ERSC service agreements in place. For further information and to verify whether your current service agreement entitles you to benefit from this service, contact your local customer support.

To contact ERSC, use the following EIA Integrated Call Center details:

E-mail: ersc@motorolasolutions.com .

Telephone: +49 30 66 86 1555

European Systems and Components Centre (ESCC)

ESCC provides a repair service for infrastructure equipment. Customers requiring a repair service should contact the Customer Information Desk and obtain a Return Material Authorization number. Unless advised otherwise, the equipment should then be shipped to the following address:

Motorola GmbH, European Systems Component Center, Am Borsigturm 130, 13507 Berlin, Germany

E-mail: escc.admin@motorolasolutions.com.

Telephone: +49 30 66 86 1404

Mon – Fri, 08:00 am – 06:00 pm (CET)

Service Information

Telephone Number to EIA Integrated Call Center for Germany: 6950070204

Parts Identification and Ordering

To get help in identification of non-referenced spare parts, contact your local Motorola Customer Care Organization.

To request replacement parts, kits and assemblies, place orders directly through your Motorola local distribution organization or through <http://emeaonline.motorolasolutions.com>.

EIA Test Equipment Support

For information related to support and service of Motorola Test Equipment, contact your local Motorola Customer Care Organization or see <http://emeaonline.motorolasolutions.com>.

For customers in Germany, contact the Equipment Service Group in Germany:

Telephone: +49 (0) 6128 702179

Fax: +49 (0) 6128 951046

Latest Versions of Manuals

To download the latest versions of technical manuals, see <http://emeaonline.motorolasolutions.com>.

Submit Your Comments

If you have any comments or would like to report a problem regarding Motorola publications, send an e-mail to: esc.admin@motorolasolutions.com.

Appendix

B

Service Information – AME

This topic contains contact details to service centers in Asia and Pacific region.

Technical Support

Technical support is available to assist the dealer/distributor in resolving any malfunction which may be encountered. Initial contact should be by telephone wherever possible. When contacting Motorola Technical Support, be prepared to provide the product model number and the serial number.

Further Assistance from Motorola

You can also contact the Customer Help Desk through the website: <http://www.motorolasolutions.com/tetra>. If a unit requires further complete testing, knowledge and/or details of component level troubleshooting or service than is customarily performed at the basic level, send the radio to a Motorola Service Center as listed in the following table:

Table 69: Service Information – Telephone Numbers and Addresses of the Asia and Pacific Motorola Centers

Country	Telephone Number	Address
Singapore	+65-6352-6383	Motorola Solutions Singapore Pte. Ltd, c/o Azure Engineering, 49 Jalan Pemimpin, #03-11 APS Industrial Building, Singapore 577203 Contact: Mareen Phua E-mail: mareen@azure.com.sg Enquiry: Tay Yong Hock E-mail: yonghock.tay@motorolasolutions.com
Malaysia	+603-7809-0000	Motorola Solutions Sdn. Bhd. Level 14, Persoft Tower, No. 68, Pesiaran Tropicana, 47410 Petaling Jaya, Selangor Darul Ehsan, Malaysia Contact: Koh Tiong Eng E-mail: A21001@motorolasolutions.com
Indonesia	+62-21-3043-5239	PT. Motorola Solutions Indonesia 30th Floor, Gedung BRI II, Suite 3001, Jl. Jend. Sudirman Kav. 44-46,

Table continued...

Country	Telephone Number	Address
		Jakarta 10210, Indonesia Contact: Eko Haryanto E-mail: Eko.Haryanto@motorolasolutions.com
Thailand	Tel: +662-653-220 Fax: +668-254-5922	Motorola Solutions (Thailand) Ltd. 142 Two Pacific Place Suite 2201, 3220 Sukhumvit Road, Klongtoey, Bangkok 10110 Contact: Nitas Vatanasupapon E-mail: Nitas@motorolasolutions.com
India	+91-9844218850	Motorola Solutions India Pvt. Ltd. C/o Communication Test Design India Private Limited, #4, 5 Maruthi Industrial Estate, Rajapalya, Hoodi Village, Bangalore - 560048, India Contact: K. Umamaheswari E-mail: umamaheshwari@motorolasolutions.com
China	+86-10-8473-5128	Motorola Solutions (China) Co. Ltd. No. 1 Wang Jing East Road, Chao Yang District, Beijing, 100102, P.R. China Contact: Sophy Wang E-mail: C18170@motorolasolutions.com
(Hong Kong)	852-2966-4823	Motorola Solutions Asia Pacific Ltd. Unit 1807-1812, 18/F, Two Harbourfront, 22 Tak Fung Street, Hung Hom, Kowloon, Hong Kong Contact: Judy Leung E-mail: Judy.Leung@motorolasolutions.com
Philippines	Tel: +632 858-7500 Fax: +632 841-0681	Motorola Communications Philippines, Inc. Unit 2102, One Global Place Building, 5th Ave., Bonifacio Global City, Taguig, Philippines 1634. Contact: Arthur Nieves E-mail: Arthur.Nieves@motorolasolutions.com
Korea	+822-3497-3649	Motorola Solutions Korea, Inc. 9th Floor, Hibrand Building, 215, Yangjae-Dong, Seocho-Gu,

Table continued...

Country	Telephone Number	Address
		Seoul, 137-924, Korea. Contact: KS Kwak E-mail: r45321@motorolasolutions.com
Taiwan	+886-2-8729 8000	Motorola Solutions Taiwan, Ltd. 8F, No. 9, Songgao Rd., Taipei 110, Taiwan (R.O.C.) Contact: Michael Chou E-mail: fp239@motorolasolutions.com
Australia	+613-9847-7725	Motorola Solutions Australia Pty. Ltd. 10 Wesley Court, Tally Ho Business Park, East Burwood Victoria 3151, Australia. E-mail: servicecentre.au@motorolasolutions.com

Piece Parts

Some replacement parts, spare parts, and/or product information can be ordered directly. If a complete Motorola part number is assigned to the part, it is available from Motorola Radio Aftermarket and Accessory Division (AAD). If no part number is assigned, the part is not normally available from Motorola. If a list of parts is not included, that means that no user-serviceable parts are available for that kit or assembly.

Customer Programming Software has no capability to tune the radio. Tuning the radio can only be performed at the factory or at the appropriate Motorola Repair Center. Component replacement can affect the radio tuning and must only be performed by the appropriate Motorola Repair Center.

All orders for parts/information should include the complete Motorola identification number. All part orders should be directed to your local AAD office. See your latest price pages.

Parts Identification and Ordering

Request for help in identification of non-referenced spare parts should be directed to the Customer Care Organization of Motorola local area representation. Orders for replacement parts, kits, and assemblies should be placed directly on Motorola local distribution organization or via Motorola Online (Extranet).

Appendix

C

Service Information – Americas

This topic contains contact details to service centers in Latin America and Caribbean region.

Technical Support

To request technical support, go to <https://businessonline.motorolasolutions.com>, **Contact Us**.

Some replacement parts, spare parts, and/or product information can be ordered directly. If a complete Motorola part number is assigned to the part, it is available from Motorola. If no part number is assigned, the part is not normally available from Motorola. If the part number is appended with an asterisk, the part is serviceable by Motorola Depot only. If a list of parts is not included, that means that no user-serviceable parts are available for that kit or assembly.

Warranty and Repairs

Table 70: Service Information – Telephone Numbers and Addresses of Latin America Radio Support Centers

Country	Telephone Number	Address
Colombia	571- 376-6990	MOTOROLA DE COLOMBIA SERVICE CENTRE Torre Banco Ganadero Carrera 7 No. 71-52 Torre B piso 13 Oficina 1301 Bogota
Mexico	5252576700	MOTOROLA DE MEXICO SERVICE CENTRE Bosques de Alisos #125 Col. Bosques de las Lomas CP 05120 Mexico DF

Piece Parts

To order parts in Latin America and the Caribbean contact your local Motorola CGISS representative.

Table 71: Service Information – Telephone Numbers and Addresses of Latin America Motorola Centers

Country	Telephone Number	Address
Argentina	5411-4317-5300	MOTOROLA DE ARGENTINA Ave. del Libertador 1855 B1638BGE, Vicente Lopez Buenos Aires

Table continued...

Country	Telephone Number	Address
Brasil	5511-3847-668	MOTOROLA DO BRASIL LTDA. Av. Chedid Jafet 222 Bloco D Conjuntos 11,12,21,22 E 41 Condominio Millennium Office Park 04551-065- Vila Olimpia, Sao Paulo
Chile	562-338-9000	MOTOROLA CHILE Ave. Nueva Tajamar 481 Edif. World Trade Center Of. 1702, Torre Norte Las Condes Santiago
Colombia	571-376-6990	MOTOROLA DE COLOMBIA, LTDA. Carrera 7 #71-52 Torre A, Oficina 1301 Bogotá
Costa Rica	506-201-1480	MOTOROLA DE COSTA RICA Parque Empresarial Plaza Roble Edificio El Portico, 1er Piso Centro de Negocios Internacional Guachepelin, Escazu San Jose
Ecuador	5932-264-1627	MOTOROLA DEL ECUADOR Autopist Gral. Rumiñahui, Puente 2 Conjunto Puerta del Sol Este-Ciudad Jardin Pasa E, Casa 65 Quito
Mexico	52-555-257-6700	MOTOROLA DE MEXICO, S.A. Calle Bosques de Alisos #125 Col. Bosques de Las Lomas 05120 México D.F.
Peru	511-211-0700	MOTOROLA DEL PERU, S.A. Ave. República de Panama 3535 Piso 11, San Isidro Lima 27
USA	954-723-8959	MOTOROLA SOLUTIONS, INC. Latin American Countries Region 789 International Parkway Sunrise, FL 33325
Venezuela	58212-901-4600	MOTOROLA DE LOS ANDES C.A. Ave. Francisco de Miranda Centro Lido, Torre A Piso 15, El Rosal

Country	Telephone Number	Address
		Caracas, 1060

Appendix

D

Warranty and Service Support

Motorola offers long-term support for its products. This support includes full exchange and/or repair of the product during the warranty period, and service/ repair or spare parts support out of warranty. Before shipping any terminal back to the appropriate Motorola warranty depot, contact Customer Resources or your Motorola dealer, distributor or reseller. All returns must be accompanied by a Warranty Claim Form, available from your Customer Service representative or Motorola Online Extranet (MOL) or your Motorola dealer, distributor, or reseller.

Warranty Period and Return Instructions

The terms and conditions of warranty are defined fully in the Motorola Customer, Dealer, or Distributor or Reseller contract. These conditions may change from time to time and the following notes are for guidance purposes only.

In instances where the product is covered under a "return for replacement" or "return for repair" warranty, a check of the product should be performed before shipping the unit back to Motorola. This is to ensure that the product has been correctly programmed or has not been subjected to damage outside the terms of the warranty.

Before shipping any terminal back to the appropriate Motorola warranty depot, contact Customer Resources (see the following pages). All returns must be accompanied by a Warranty Claim Form, available from your Customer Services representative. Products should be shipped back in the original packaging, or correctly packaged to ensure that no damage occurs in transit.

After Warranty Period

After the Warranty period, Motorola continues to support its products in two ways:

- Motorola Regional Radio Support Centers offer a repair service to both end users and dealers at competitive prices.
- AAD supplies individual parts and modules that can be purchased by dealers who are technically capable of performing fault analysis and repair.

Appendix

E

Product Specific Information for Digital Terminals Type MT953CG

This section gives the Service Personnel an overview about product-specific notes. This is necessary to take special precautions to avoid the introduction of hazards when operating, installing, servicing, or storing equipment. This terminal meets the applicable safety standards if it is used as described. Follow carefully all operating and safety instructions.

Table 72: Equipment Electrical Ratings

Rated Voltage	12 Volt DC
Rated Voltage Range	10.8 to 15.6 V DC
Rated Current	MT953CG (380-430 MHz): 4 Amps @ 10 Watts RF power Please be aware when planning the installation that there is a current consumption of max. 4.5A during PTT and even 30mA (non-Ethernet)/ 90mA (Ethernet) when terminal is switched off.
Transmitter Frequency Range	TMO: 380-430 MHz (MT953CG) DMO: 380-430 MHz (MT953CG)
Receiver Frequency Range	380-430 MHz (MT953CG)

Table 73: Normal Load Conditions

Rated RF Power	10 Watts
Rated Audio Power	10 Watts @ 4 Ohms; 6 Watts @ 8 Ohms
Antenna Impedance	50 Ohms
Operating Temp. Range	-30 to +60°C
Operating Time	Continuous/Intermittent



Note: In general, the terminal transmit and receive time (operating cycle time) is determined by the communication system. On overload, respectively on extensive use beyond the systems specifications at high ambient temperatures, the thermal control protects the terminal. The thermal control cuts down the RF output power, thus reducing the terminal coverage range.

Table 74: Fuse Identification


Fuse for Power Cable GKN6270/ GKN6274	10 A (Motorola Part Number: 6500139767)		Important: In case of blown fuses during the installation, replace ONLY
--	--	---	--

Table continued...

Fuse for Ignition Sense Cable
PMKN4120

4 A (Motorola Part Number:
6580283E02)

with fuses of identical
value. Never insert ones
of different values.

Copyright

Die in diesem Dokument beschriebenen Motorola-Produkte können durch Copyright geschützte Computerprogramme von Motorola enthalten. Nach den Gesetzen der USA und anderer Staaten sind bestimmte exklusive Rechte an der urheberrechtlich geschützten Software der Firma Motorola vorbehalten. Demzufolge dürfen urheberrechtlich geschützte Computerprogramme, die zusammen mit den in diesem Dokument beschriebenen Produkten ausgeliefert werden, ohne die vorherige schriftliche Genehmigung von den Inhabern der Urheberrechte weder kopiert noch in jeglicher Form reproduziert werden.

© 2014 Motorola Solutions, Inc. Alle Rechte vorbehalten

Die Vervielfältigung, Übertragung, Speicherung in einem Abrufsystem oder Übersetzung in eine Sprache oder Computersprache ist für keinen Teil dieses Dokuments in keinerlei Form oder durch keinerlei Methode ohne vorherige schriftliche Genehmigung von Motorola Solutions, Inc. gestattet.

Darüber hinaus werden mit dem Kauf von Produkten von Motorola weder ausdrücklich noch stillschweigend, durch Rechtsverwirkung oder auf andere Weise Lizenzen unter dem Copyright, dem Patent oder den Patentanwendungen von Software von Motorola ausgegeben, außer der Nutzung von normalen, nicht ausschließlich erteilten, gebührenfreien Lizenzen, die sich aus der Anwendung der Gesetze beim Verkauf eines Produkts ergeben.

Haftungsausschluss

Beachten Sie, dass bestimmte Funktionen, Fähigkeiten und Möglichkeiten, die in diesem Dokument beschrieben werden, für ein bestimmtes System möglicherweise nicht gelten oder nicht lizenziert sind, oder von den Eigenschaften bestimmter mobiler Endgeräte (Funkgeräte) oder von der Konfiguration bestimmter Parameter abhängen können. Wenden Sie sich für weitere Informationen an Ihren Motorola-Ansprechpartner.

Marken

MOTOROLA, MOTO, MOTOROLA SOLUTIONS und das stilisierte M-Logo sind Marken oder eingetragene Marken von Motorola Trademark Holdings, LLC und werden unter Lizenz verwendet. Alle anderen Marken sind Eigentum ihrer jeweiligen Inhaber.

WEEE-Richtlinie der EU



■ Gemäß WEEE-Richtlinie (Waste of Electrical and Electronic Equipment, deutsch Elektro- und Elektronikaltgeräte) der EU besteht für Elektro- und Elektronikgeräte, die in den Mitgliedsländern der Europäischen Union in Verkehr gebracht werden, Kennzeichnungspflicht.

Die Kennzeichnung erfolgt durch ein Etikett mit einer durchgestrichenen Mülltonne, das am Produkt selbst oder an der Verpackung angebracht wird.

Endverbraucher in den Mitgliedsländern der Europäischen Union sind angehalten, bei ihrem lokalen Händler oder beim Kundendienst des Herstellers Informationen zum Rücknahmesystem ihres Landes einzuholen.

Inhaltsverzeichnis

Copyright	3
Verzeichnis der Abbildungen	9
Verzeichnis der Tabellen	11
Verwendete Symbole	13
Kapitel 1: Umfang dieses Handbuchs	15
Sicherheitshinweise.....	15
MTM800 Fug/MTM800 Fug ET Hand- und Benutzerhandbücher.....	15
Kapitel 2: Modellinformationen und Zubehör	17
Modellbeschreibungen.....	17
Informationen zu den Mobilmodulen.....	18
Bezeichnung von Modellen.....	18
Modellspezifikationen.....	19
MTM800FuG Zuordnungsdiagramm Zubehör-zu-Modell.....	22
MTM800FuG ET Zuordnungsdiagramm Zubehör-zu-Modell.....	27
Kapitel 3: Vorbereiten des Fahrzeugs	33
Allgemeine Richtlinien für die Installation von Funkgeräten.....	33
Deinstallation des Funkgeräts.....	34
Installation des Kabels für die Gleichstromversorgung.....	34
Gleichstromkabel.....	37
Zündungserkennungskabel installieren.....	37
Zündungserkennungskabel.....	38
Kapitel 4: Installation des Funkgeräts	39
Einbau in das Armaturenbrett.....	39
Einbau des Funkgerätes in das Armaturenbrett.....	39
Einbau des Funkgerätes in den Einbaurahmen.....	39
Funkgerät aus dem Rahmen nehmen.....	40
Festinstallation.....	41
Planung einer Festinstallation.....	41
Festinstallation.....	41
MTM800FuG Remote-Installation.....	43
Abgesetztes Bedienteil in die Halterung montieren.....	44
Abgesetztes Bedienteil in die DIN-Halterung montieren.....	45
Abgesetztes Bedienteil in den DIN-Einbaurahmen montieren.....	45
Weiteres Zubehör mittels Zubehörkabel an das Bedienteil anschließen.....	46
Zubehör-Verlängerungskabel anschließen.....	47
MTM800 FuG ET Remote-Installation.....	47
Ethernet-Kabel.....	50
Ethernet-Bedienteil zur Remote-Montage (eCH) in die Halterung montieren.....	51
Ethernet-Bedienteil zur Remote-Montage (eCH) in eine DIN-Halterung montieren.....	52
Ethernet-Bedienteil zur Remote-Montage (eCh) in einen DIN-Einbaurahmen montieren.....	53
Zusätzliches Zubehör an Ethernet-Bedienteil zur Remote-Montage (eCh) und Bedienteil in Telefonausführung (TSCH) anbringen.....	54
Bedienteil in Telefonausführung (TSCH).....	58

TSCH-Auflage auf Montageblech montieren.....	61
(Erweitertes) Bedienteil auf einem Motorrad montieren.....	64
(Erweitertes) Bedienteil auf einem Motorrad montieren.....	65
MTM800FuG Mechanische Teile.....	68
TELCO-Kabel der Motorradhalterung montieren (PMKN4030_).....	68
Zusätzliche Anschlussmöglichkeiten am erweiterten Bedienteil für die Motorradmontage.....	69
Installation des erweiterten Datendienstmoduls.....	69
Erweitertes Modul für Datendienste ohne Bedienteil.....	69
Datenfeld-Funkmodul.....	69
Erweitertes Modul für Datendienste mit einem Bedienteil von einem Drittanbieter.....	70
Installation der Anschlussbox.....	71
Installation.....	73
Zubehör an Anschlussbox anschließen.....	73
Anschlüsse an der Anschlussbox.....	74
Anschlussplan für Klemmenblock der Anschlussbox.....	75
Installieren des Kabels.....	77
Anschlussplan für Zubehöranschlusssatz.....	78
Funkgeräte mit erweitertem Modul für Datendienste.....	79
Standard-Funkgeräte ohne erweitertes Modul für Datendienste.....	79
Standard-Funkgeräte ohne Ethernet-Erweiterungsmodul für Datendienste.....	79
Befestigungshalterung installieren.....	80

Kapitel 5: Anschlüsse und PIN-Belegung..... 85

Rückseite des Transceivers.....	85
Zubehöranschlussplan.....	87
Verfahren zum erneuten Zusammenklemmen.....	89
Anschlüsse und Pinbelegung des erweiterten Moduls für Datendienste und des erweiterten Remote-Moduls.....	89
10-poliger TELCO-Anschluss.....	90
25-poliger D-Sub-Anschluss.....	91
9-poliger D-Sub-Anschluss.....	92
Anschlüsse und Pin-Belegung des Ethernet-Erweiterungsmoduls.....	93
Schnittstellen des Ethernet-Bedienkopfes.....	93
SIM-Schnittstelle.....	94
9-poliger D-Sub-Anschluss.....	94
SIM-Kartenleser.....	95
Anschluss- und Pin-Belegung des erweiterten Bedienteils.....	96
Anschluss- und Pin-Belegung des Ethernet-Bedienteils (eCH).....	101
Anschluss der Kabel.....	104
Motorradhalterung, TELCO-Kabel.....	104
Kabel für Remote-Montage.....	104
Zubehör-Verlängerungskabel.....	104
Anschluss und Pin-Belegung bei Ladestation (Bedienteil in Telefonausführung).....	106
Ethernet-Kabel.....	107
Y-Kabel für das abgesetzte Ethernet-Bedienteil (Zubehör-Erweiterungskabel).....	107
Y-Kabel für das Bedienteil in Telefonhörerausführung (Zubehör-Erweiterungskabel).....	108
Funkgerät zu Anschlussbox.....	108
Erweitertes Modul für Datendienste des Funkgeräts zu Datengerät.....	110
Funkgerät mit erweitertem Modul für Datendienste zu Handmikrofon.....	110
Vorhandenes gewendelttes Kabel entfernen.....	111
Funkgerät zu Datengerät: Aktives Datenkabel.....	111

Kapitel 6: Installation von externen Geräten..... 113

Installation der Antenne am Fahrzeug.....	113
---	-----

Betrieb des mobilen Funkgeräts und Belastung durch elektromagnetische Strahlung.....	113
Antennenstandort wählen.....	113
Antenne installieren.....	114
Installation des Funkgeräts durchführen.....	115
Externen Lautsprecher installieren.....	115
Anhang A: Service-Informationen - EIA.....	117
Anhang B: Service-Informationen – AME.....	119
Anhang C: Service-Informationen – Nord-, Mittel- und Südamerika.....	123
Anhang D: Garantie und Service-Support.....	127
Anhang E: Produktspezifische Informationen für digitale Mobilfunkgeräte vom Typ MT953CG.....	129

Verzeichnis der Abbildungen

Abbildung 1: Netzkabel in den Motorraum legen	35
Abbildung 2: Anschluss des Netzkabels	36
Abbildung 3: Zubehöranschluss	38
Abbildung 4: Funkgerät mit Montagesatz	40
Abbildung 5: Funkgerät mit Demontagewerkzeugen	41
Abbildung 6: Typische Festmontage	42
Abbildung 7: Remote-Montage-Installation mit erweitertem Remote-Modul/erweitertem Modul für Datendienste ...	43
Abbildung 8: Installation des erweiterten Bedienteils zur Remote-Montage mit der Halterung für die Remote-Montage	44
Abbildung 9: Installation des erweiterten Bedienteils zur Remote-Montage auf einer DIN-Halterung	45
Abbildung 10: Funkgerät mit Halterung und Montagesatz	46
Abbildung 11: Zubehör-Erweiterungskabel mit Mobilmikrofonanschluss (MMP)	46
Abbildung 12: Installation der abgesetzten Montage mit Ethernet-Bedienteil (eCH) PMWN4024_	48
Abbildung 13: Installation der abgesetzten Montage mit Ethernet-Bedienteil in Telefonausführung (TSCH) PMWN4025_	48
Abbildung 14: Dual-Bedienteil mit zwei eCH	49
Abbildung 15: Dual-Bedienteil mit zwei TSCH	49
Abbildung 16: Dual-Bedienteil, gemischt mit eCH und TSCH	50
Abbildung 17: Ethernet-Kabel (PMKN4141_, PMKN4140A_, PMKN4139_, PMKN4138_, PMKN4136_, PMKN4146_)	51
Abbildung 18: Ethernet-Kabel PMKN4135_	51
Abbildung 19: Installation des erweiterten Bedienteils zur Remote-Montage mit der Halterung für die Remote-Montage	52
Abbildung 20: Installation des erweiterten Bedienteils zur Remote-Montage auf einer DIN-Halterung	53
Abbildung 21: Befestigung des erweiterten Bedienteils zur Remote-Montage mit der DIN-Halterung im DIN-Rahmen	54
Abbildung 22: Das RECH Y-Kabel zur Zubehörerweiterung	55
Abbildung 23: Das TSCH Y-Kabel zur Zubehörerweiterung	57
Abbildung 24: Bedienteil in Telefonausführung (TSCH)	59
Abbildung 25: TSCH-Mobilteil und Ladestation	60
Abbildung 26: Nicht unterstützte TSCH-Installation	60
Abbildung 27: Montageblech	61
Abbildung 28: Rückansicht der TSCH-Auflage	62
Abbildung 29: Rückansicht der TSCH-Auflage mit Montageblech	63
Abbildung 30: Rückansicht der TSCH-Auflage mit befestigtem Montageblech	64
Abbildung 31: Erweitertes Bedienteil zur Motorradmontage – Vorderseite	64
Abbildung 32: Motorradmontage	66
Abbildung 33: Aufwärtsbewegung	67
Abbildung 34: Abwärtsbewegung	67
Abbildung 35: Halterungssatz für das erweiterte Bedienteil, Motorradmontage	68
Abbildung 36: Beschreibung der Datenbox-Funkschnittstelle	69
Abbildung 37: Konfigurationsbeispiel mit Anschluss für eine Fernbedienung und einen externen SIM-Kartenleser	70
Abbildung 38: Remote-Installation mit der Anschlussbox	72
Abbildung 39: Anschlüsse an der Anschlussbox – Frontseite	74
Abbildung 40: Anschlüsse an der Anschlussbox – Rückseite	75
Abbildung 41: Anschlussplan für den Lautsprecher	75
Abbildung 42: Anschlussplan für das Alarmrelais	76

Abbildung 43: Anschlussplan für den Notrufschalter	76
Abbildung 44: Anschlussplan für das Zündungserkennungskabel	77
Abbildung 45: Anschlussplan für externe Sprechtaete (PTT)	77
Abbildung 46: Installation des Funkgeräts in der Halterung für erhöhte Montage (GLN7317_)	80
Abbildung 47: Gerät in abschließbare Gerätehalterung (RLN4779_)	81
Abbildung 48: Montage auf dem Armaturenbrett	82
Abbildung 49: Montage unter dem Armaturenbrett	82
Abbildung 50: Position des Zubehöranchlusses – Rückseite	85
Abbildung 51: Zubehöranschluss	87
Abbildung 52: 26-poliger Zubehöranschluss	88
Abbildung 53: Anschlussdiagramme	88
Abbildung 54: Erweitertes Datendienstmodul – Vorderansicht und Anschlussposition	89
Abbildung 55: Erweitertes Remote-Bedienteil – Vorderansicht und Anschlussposition	90
Abbildung 56: Erweitertes Ethernet-Modul – Vorderansicht und Anschlussposition	93
Abbildung 57: Ethernet-Erweiterungsmodul mit SIM-Kartenleser	95
Abbildung 58: Mobilmikrofonanschluss des erweiterten Bedienteils	96
Abbildung 59: Erweitertes Bedienteil zur Motorradmontage – Rückansicht	97
Abbildung 60: Erweitertes Bedienteil zur Remote-Montage – Rückansicht	97
Abbildung 61: Erweitertes Bedienteil zur Motorradmontage – Anschlüsse auf der Rückseite	98
Abbildung 62: Ansicht des Ethernet-Bedienteils (eCH) mit Mobilmikrofonanschluss	101
Abbildung 63: Ethernet-Bedienteil – Anschlüsse auf der Rückseite	102
Abbildung 64: Motorradhalterung, TELCO-Kabel	104
Abbildung 65: Kabel für Remote-Montage	104
Abbildung 66: Zubehör-Verlängerungskabel	105
Abbildung 67: Ethernet-Kabel, Pin-Diagramm	107
Abbildung 68: RECH Y-Kabel Pin-Diagramm	108
Abbildung 69: TSCH Y-Kabel Pin-Diagramm	108
Abbildung 70: Anschlusskabel – Funkgerät zu Anschlussbox	109
Abbildung 71: RS232-Standardkabel	110
Abbildung 72: Pin-Belegung des Kabels vom Zubehöranschluss zum Mikrofongehäuse	111
Abbildung 73: Aktives Datenkabel PMKN4104_	112
Abbildung 74: Anschlüsse auf der Rückseite des Funkgeräts	114
Abbildung 75: Externe Lautsprecherhalterung	116

Verzeichnis der Tabellen

Tabelle 1: Funkgerät-Modellbeschreibungen	17
Tabelle 2: Typ- und Modellnummern	18
Tabelle 3: Bezeichnung von Modellen	18
Tabelle 4: Vertriebsmodelle - Beschreibung von Symbolen	18
Tabelle 5: Allgemeine Daten	19
Tabelle 6: Technische Daten des Empfängers	20
Tabelle 7: Technische Daten des Empfängers	20
Tabelle 8: Technische Daten des Senders	21
Tabelle 9: Technische Daten des Senders	21
Tabelle 10: Bedienteile	22
Tabelle 11: Erweiterungs- und Remote-Modul-Bausätze	22
Tabelle 12: Mikrofone	22
Tabelle 13: Lautsprecher	22
Tabelle 14: Handsets	23
Tabelle 15: PTT-Schalter	23
Tabelle 16: Tisch- und Datenboxbefestigung	23
Tabelle 17: Netzkabel (für das Tischnetzteil GPN6145 und HPN4007)	23
Tabelle 18: Kabel	23
Tabelle 19: Anschlussbox	24
Tabelle 20: Netzkabel (zum Mobilgerät)	24
Tabelle 21: Installation	24
Tabelle 22: Halterung (Transceiver)	24
Tabelle 23: Halterung (Bedienteil)	25
Tabelle 24: Programmierung/Daten	25
Tabelle 25: Antennen (mit Funkgeräten verkauft)	25
Tabelle 26: GPS	26
Tabelle 27: Bedienteile	27
Tabelle 28: Mikrofone	27
Tabelle 29: Lautsprecher	27
Tabelle 30: Handsets	28
Tabelle 31: PTT-Schalter	28
Tabelle 32: Kabel	28
Tabelle 33: Netzkabel (zum Mobilgerät)	29
Tabelle 34: Installation	29
Tabelle 35: Halterung (Transceiver)	29
Tabelle 36: Halterung (Bedienteil)	29
Tabelle 37: Programmierung/Daten	29
Tabelle 38: Antennen (mit Funkgeräten verkauft)	30
Tabelle 39: Kennzeichnungsetikett	30
Tabelle 40: Ferrite für Ethernet-Bedienteil	31
Tabelle 41: GPS	31
Tabelle 42: Gleichstromkabel	37
Tabelle 43: Zündungserkennungskabel	38
Tabelle 44: Entsprechende Komponenten	42
Tabelle 45: Zugehörige Komponenten für die Remote-Montage	44
Tabelle 46: MTM800 FuG ET Konfigurationen - Grafische Darstellung	47
Tabelle 47: Ethernet-Kabel	50
Tabelle 48: Halterungssatz für das erweiterte Bedienteil, Motorradmontage – Teileliste für die Installation	68

Tabelle 49: Zubehöranschlussatz - Kabelanschluss	78
Tabelle 50: 26-poliger Zubehöranschluss	85
Tabelle 51: 10-poliger TELCO-Anschluss	90
Tabelle 52: 25-poliger D-Sub-Anschluss	91
Tabelle 53: 9-poliger D-Sub-Anschluss	92
Tabelle 54: Pin-Belegung des 10-poligen Steckverbinders von RJ50 Port 1 und Port 2 – Ethernet- Erweiterungsmodul	93
Tabelle 55: SIM-Schnittstelle – Pins	94
Tabelle 56: 9-poliger D-Sub-Anschluss	94
Tabelle 57: Mobilmikrofonanschluss des erweiterten Bedienteils	96
Tabelle 58: 10-poliger Telco-Anschluss	98
Tabelle 59: 25-poliger Anschluss (Rückseite)	99
Tabelle 60: Mobilmikrofonanschluss-Steckverbindung	101
Tabelle 61: 10-poliger Ethernet-Anschluss	102
Tabelle 62: 25-poliger Anschluss (Rückseite)	102
Tabelle 63: Zubehör-Verlängerungskabel – Anschlüsse	105
Tabelle 64: Pin-Belegung des 10-poligen Audio-Anschlusses – Bedienteil in Telefonausführung	106
Tabelle 65: Pin-Belegung des 10-poligen RJ50-Anschlusses – Bedienteil in Telefonausführung	107
Tabelle 66: Pin-Belegung des Kabels vom Zubehöranschluss zum Mikrofongehäuse	111
Tabelle 67: Pin-Belegung – Aktives Datenkabel PMKN4104_	112
Tabelle 68: Nennleistung und Abstand	113
Tabelle 69: Service-Informationen — Telefonnummern und Adressen von Motorola Service Centern in Asien und im Pazifikraum	119
Tabelle 70: Kundendienstinformation – Telefonnummern und Adressen von Servicezentren für Funkgeräte in Lateinamerika	123
Tabelle 71: Kundendienstinformation – Telefonnummern und Adressen von Motorola-Servicezentren in Lateinamerika	123
Tabelle 72: Elektrische Bemessungsgrößen des Geräts	129
Tabelle 73: Normale Ladebedingungen	129
Tabelle 74: Sicherungsidentifizierung	130

Verwendete Symbole

Visuelle Hinweise in der Dokumentation bieten dem Benutzer einen besseren Überblick. Die folgenden grafischen Symbole werden in der gesamten Dokumentation verwendet. Die verwendeten Symbole und ihre Bedeutung werden im Folgenden beschrieben.



Gefahr: Das Signalwort GEFÄHR und das entsprechende Sicherheitssymbol weisen auf Informationen hin, die bei Nichteinhaltung zum Tode oder schweren Verletzungen führen.



Warnung: Das Signalwort WARNUNG und das entsprechende Sicherheitssymbol weisen auf Informationen hin, die bei Nichteinhaltung zum Tode oder schweren Verletzungen sowie zu schweren Beschädigungen des Produkts führen können.



Vorsicht: Das Signalwort ACHTUNG und das entsprechende Sicherheitssymbol weisen auf Informationen hin, die bei Nichteinhaltung zu leichten oder mittelschweren Verletzungen sowie zu schweren Beschädigungen des Produkts führen können.

Vorsicht: Das Signalwort VORSICHT kann auch ohne das Sicherheitssymbol verwendet werden, um Sie über potenzielle Schäden oder Verletzungsgefahr zu informieren, die nicht mit dem Produkt in Zusammenhang stehen.



Wichtig: WICHTIGE Informationen, die für den aktuell beschriebenen Vorgang wichtig sind, jedoch nicht zu den Kategorien VORSICHT und WARNUNG zählen. Inhalte, die als WICHTIG gekennzeichnet sind, beinhalten keinerlei Warnungen.



Hinweis: HINWEISE enthalten Informationen, die wichtiger sind als der umgebende Text, wie beispielsweise Ausnahmen und Voraussetzungen. In Hinweisen wird der Benutzer zudem auf zusätzliche Informationen hingewiesen, dem Benutzer die Durchführung eines Vorgangs in Erinnerung gerufen (wenn dieser beispielsweise nicht Teil des aktuell beschriebenen Vorgangs ist), oder dem Benutzer erklärt, wo sich ein Element auf dem Bildschirm befindet. Ein Hinweis beinhaltet keinerlei Warnhinweise.



Vorschlag: VORSCHLAG kennzeichnet eine Empfehlung oder einen Tipp von Motorola, die nicht befolgt werden müssen, die jedoch hilfreich sein können. Ein VORSCHLAG beinhaltet keinerlei Warnhinweise.

Kapitel

1

Umfang dieses Handbuchs

Dieses Handbuch ist für die Verwendung durch Servicetechniker bestimmt, die mit vergleichbaren Geräten vertraut sind. Es enthält Informationen zur Installation der beschriebenen Ausrüstung und entspricht zum Zeitpunkt des Drucks dem aktuellen Stand. Änderungen, die nach dem Druckdatum vorgenommen wurden, können durch eine vollständige Überarbeitung des Handbuchs oder als Zusätze eingefügt werden. MTM800FuG Plattform zum Mobilfunkgerät gibt es in verschiedenen Versionen und verschiedenen Hardware-Konfigurationen. Diese Konfigurationen werden durch die Produktnamen MTM800FuG; MTM800FuG ET kenntlich gemacht. In dieser Anleitung wird nur dann zwischen den verschiedenen Produkten unterschieden, wenn es einen Unterschied gibt.



Hinweis: Das mobile Terminal darf nur von geschultem Personal installiert werden. Alle Installationen müssen entsprechend den Anforderungen des Fahrzeug- und Antennenherstellers erfolgen.

Sicherheitshinweise

Handbuch zur HF-Energiestrahlung und Produktsicherheit für Funkgeräte



Vorsicht: Bevor Sie dieses Produkt verwenden, lesen Sie das Handbuch zur HF-Energiestrahlung und Produktsicherheit für Funkgeräte durch, das im Lieferumfang des Funkgeräts enthalten ist. Dieses Handbuch enthält wichtige Bedienungsanweisungen für den sicheren Umgang und HF-Energiesicherheitsinformationen zur Einhaltung der geltenden Normen und Richtlinien. Dieses Funkgerät ist nur für eine berufliche Nutzung vorgesehen. Änderungen am Gerät, die nicht ausdrücklich von Motorola autorisiert wurden, könnten dazu führen, dass dem Benutzer die Erlaubnis für den Gebrauch des Geräts entzogen wird.

MTM800 Fug/MTM800 Fug ET Hand- und Benutzerhandbücher

Produktinformationshandbuch

- 68015000883 MTM800FuG/MTM800FuG ET Produktinformationshandbuch

Installationsanleitungen

- I68015000584 MTM800 Fug/MTM800 Fug ET Installationhandbuch (Englisch)
- 68015000553 MTM800 FuG/MTM800 FuG ET Installationhandbuch (Englisch/Deutsch)

Wartungshandbuch

- 68015000183 MTM5400 / MTM800 FuG Basic Service Manual EMEA (Englisch)

Kurzanleitungen

- 68015000554 MTM800 FuG Kurzübersicht (Englisch)
- 68015000555 MTM800 FuG Kurzübersicht (Deutsch)

- 68015000613 TSCH Kurzübersicht (Englisch)
- 68015000614 TSCH Kurzübersicht (Deutsch)

Benutzerhandbücher

- 68015000185 MTM800 FuG Feature User Guide (Englisch)
- 68015000552 MTM800 FuG Feature User Guide (Englisch/Deutsch)

Sicherheitshefte

- 6866537D37 Sicherheitsheft für mobile Geräte (EMEA)

Kapitel

2

Modellinformationen und Zubehör

Modellbeschreibungen

Tabelle 1: Funkgerät-Modellbeschreibungen

Modell	Beschreibung
M1	Armaturenbrethalterung mit Funkgerät, mit erweitertem Bedienteil zur Direktmontage, Lautsprecher, Mikrofon oder Handapparat, Standard-Benutzerhandbuch und Installationszubehör.
M2	Tischhalterung mit Mobilfunkgerät, mit erweitertem Bedienteil zur Direktmontage, Lautsprecher, Mikrofon oder Handapparat, Standard-Benutzerhandbuch, Installationszubehör und Station mit Netzteil.
M3	<p>Remote-Halterung mit Mobilfunkgerät, mit erweitertem Bedienteil zur Remote-Montage, optional mit erweitertem Remote-Modul oder erweitertem Modul für Datendienste, Lautsprecher, Mikrofon oder Handapparat, Remote-Montage-Kabel, Standard-Benutzerhandbuch und Installationszubehör.</p> <p>Für MTM800FuG ET – Remote-Modul mit Mobilterminal, mit erweitertem Bedienteil zur Remote-Montage mit Ethernet-Erweiterungsmodul für Datendienste, Lautsprecher, Mikrofon oder Handset, Kabel für Remote-Montage, Standard-Bedienungsanleitung und Installationszubehör. Für MTM800FuG ET sind folgende Bedienteile für Remote-Montage möglich:</p> <ul style="list-style-type: none"> • Bedienteil in Telefonausführung (TSCH) • Remote Ethernet-Bedienteil (RECH) • Eine Kombination dieser oder jeweils zwei
M4	Motorradhalterung mit Mobilfunkgerät, mit erweitertem Bedienteil zur Motorradmontage, optional mit erweitertem Remote-Modul oder erweitertem Modul für Datendienste, Lautsprecher, Mikrofon oder Handset, Motorradkabeln, Standard-Benutzerhandbuch und Installationszubehör; Doppelhalterung mit zwei erweiterten Bedienteilen (Master und Slave), Audiozubehör, Standard-Bedienungsanleitung und Installationszubehör.
M5	Datenmodul – Konfiguration des Remote-Moduls mit erweitertem Modul für Datendienste, ohne erweitertes Bedienteil, Remote-Montage-Kabel, Standard-Bedienungsanleitung, Installationszubehör und einem Netzteil.



Hinweis: Andere Kombinationen werden nicht empfohlen oder sind nicht möglich.

Informationen zu den Mobilmodulen

Tabelle 2: Typ- und Modellnummern

Dieses Handbuch bezieht sich auf die folgenden Mobilmodule:

Art.-Nr.	Vertriebsmodell-Nr.	Kurze Beschreibung	Modell
MT953CG	M83PFS6TZ5AG	MTM800 FuG 380-430 MHz, DASH	M1
	M83PFS6TZ4AG	MTM800 FuG 380-430 MHz, DESK	M2
	M83PFS6TZ6AG	MTM800 FuG 380-430 MHz, REMOTE	M3
	M83PFS6TZ2AG	MTM800 FuG 380-430 MHz, M'CYCLE	M4
	M83PFA6TZ5AG	MTM800 FuG 380-430 MHz, DATA	M5
	M83PFT6TZ6AG	MTM800FuG 380-430 REM ETHERNET	M3



Warnung: Ethernet-Erweiterungsmodule sind nur kompatibel mit Ethernet-Remote-Bedienteilen. Ein Ethernet-Bedienteil darf nicht mit Nicht-Ethernet-Bedienteilen kombiniert werden. Zum Anschließen des Ethernet-Erweiterungsmoduls am TSCH und eCH ist auch darauf zu achten, dass die richtigen Ethernet-Kabel verwendet werden. Falls der Anschluss nicht ordnungsgemäß erfolgt, kann der Transceiver beschädigt werden.

Bezeichnung von Modellen

Tabelle 3: Bezeichnung von Modellen

Position	1	2	3	4	5	6	7	8	9	10	11	12
Typische Modellnummer	M	8	3	P	F	S	6	T	Z	5	A	N

Tabelle 4: Vertriebsmodelle - Beschreibung von Symbolen

Position	Beschreibung	Wert
1	Gerätetyp	M = Mobilgerät
2	Modellreihe	83 = MTM800 FuG/MTM800FuG ET
3		
4	Frequenzband	M = 260–275 MHz M = 350–390 MHz M = 380–430 MHz R = 410–470 MHz U = 806-870 MHz (für DMO; 851-870 MHz)
5	Ebene	F = 10,0 Watt
6	Physische Pakete	S = Erweitertes Bedienteil

Tabelle wird fortgesetzt...

Position	Beschreibung	Wert
		A = Datenmodul (kein Bedienteil)
7	Kanalabstand	6 = 20/25 kHz
8	Spezifische Variante	T = TETRA
9	Versionsbuchstabe	Z = TETRA
10	Funktionsebene	5 = Armaturenbrett-/Datenhalterung (Dash/ Data)
		4 = Tischhalterung (Desk)
		2 = Motorradhalterung
		6 = Remote-Halterung
11	Primärer Systemtyp	Modellversion – z. B. A, B C
12	Primärer Betrieb	N = Standard-Lieferumfang G = FuG-Modelle

Modellspezifikationen

Tabelle 5: Allgemeine Daten

Parameter	Wert	
ETSI	ETS 300 394-1 ETS 300 489-1	
Typennummer	MTM800 FuG, MTM800FuG ET 380-430 MHz	
Temperaturbereich für Transceiver	Betrieb	-30 °C bis +60 °C
	Lagerung	-40 °C bis +85 °C
Stromversorgung	Minimum:	10,8 V DC
	Nennwert:	13,2 V DC
	Maximum:	15,6 V DC
	Max. Strom	Ca. 4,5 A
Abmessungen (H x B x T) in mm	Transceiver mit erweitertem Bedienteil, für Montage am Armaturenbrett (MTM800FuG)	60 x 188 x 198
Abmessungen (H x B x T) in mm	Transceiver mit Ethernet-Erweiterungsmodul (MTM800 FuG ET)	45 x 170 x 190 mm
	Ethernet-Bedienteil (eCH)	60 x 190 x 40 mm
	Bedienteil in Telefonausführung (TSCH)	220 x 65 x 75 mm
Gewicht in Gramm:	Transceiver mit erweitertem Bedienteil, für Montage am Armaturenbrett (MTM800FuG)	1500

Tabelle wird fortgesetzt...

Parameter	Wert
Gewicht in Gramm:	Transceiver mit Ethernet-Erweiterungsmodul (MTM800 FuG ET) 1330 g
	Ethernet-Bedienteil (eCH) 310 g
	Bedienteil in Telefonausführung (TSCH) (ohne Kabel) 450 g
GPS-Leistung	Eigenständige Aufnahmesensitivität: -146 dBm/-176 dBW
	Empfindlichkeit für Positionsbestimmung -160 dBm / -190 dBW

Tabelle 6: Technische Daten des Empfängers

Parameter	Wert
Kanalbandbreite:	25 kHz
Digitale Empfindlichkeit (3,5 % BER):	-114 dBm (statisch), -105 dBm (dynamisch)
Intermodulation:	-47 dBm
Blockierung (50-100 kHz):	-40 dBm
Nebenwellenunterdrückung:	-45 dBm
Verhältnis der Störungen zwischen benachbarten Kanälen:	-45 dBm
Frequenzstabilität:	Eingerastet in Basis +/- 100 Hz
	Nicht eingerastet in Basis +/- 1 KHz
Audio (@4 Ohm):	Für externe Lautsprecher: 10 W
	Verzerrung bei Audiomessung: 5 % Max.

Tabelle 7: Technische Daten des Empfängers

Parameter	Wert
Empfängertyp	Direkte Konvertierung
Frequenzbereich	MT953CG 380 bis 430 MHz
Kanalbandbreite:	25 kHz
Digitale Empfindlichkeit (3,5 % BER):	-114 dBm (statisch), -105 dBm (dynamisch)
Intermodulation:	-47 dBm
Blockierung (50-100 kHz):	-40 dBm
Nebenwellenunterdrückung:	-45 dBm
Verhältnis der Störungen zwischen benachbarten Kanälen:	-45 dBm
Frequenzstabilität:	Eingerastet in Basis +/- 100 Hz
	Nicht eingerastet in Basis +/- 1 KHz
Audio (@4 Ohm):	Für externe Lautsprecher: 10 W

Tabelle wird fortgesetzt...

Parameter	Wert
	Verzerrung bei Audiomessung: 5 % Max.

Tabelle 8: Technische Daten des Senders

Parameter	Wert	
Modulationstyp:	μ /4DQPSK	
HF-Leistung	TMO	Einstellbar auf Klasse 2 (10 W), Klasse 2L (5,6 W), Klasse 3 (3 W). Leistung im MSPD Modus ist auf Klasse 2L beschränkt. Leistung im TEDS Modus ist auf Klasse 3 beschränkt.
	DMO	10 W/40 dBm
Frequenzbereich TMO	MT953CG	380 bis 430 MHz
Frequenzbereich DMO	MT953CG	380 bis 430 MHz
Frequenzstabilität	Eingerastet in Basis	+/- 100 Hz
	Nicht eingerastet in Basis	+/- 1 KHz
Störemissionen:	Abgeleitet/Abgestrahlt	-36 dBm \leq 1 GHz
		-30 dBm $>$ 1 GHz

Tabelle 9: Technische Daten des Senders

Parameter	Wert	
Modulationstyp:	μ /4DQPSK	
HF-Leistung	TMO	MTM800FuG/MTM800FuG ET: Einstellbar auf Klasse 2 (10 W), Klasse 2L (5,6 W), Klasse 3 (3 W). Leistung im MSPD Modus ist auf Klasse 2L beschränkt.
	DMO	MTM800FuG/MTM800FuG ET: Einstellbar auf Klasse 2 (10 W), Klasse 2L (5,6 W), Klasse 3 (3 W). Leistung im MSPD Modus ist auf Klasse 2L beschränkt.
Frequenzbereich TMO	MT953CG	380 bis 430 MHz
Frequenzbereich DMO	MT953CG (MTM800FuG, MTM800FuG ET)	380 bis 430 MHz
Frequenzstabilität	Eingerastet in Basis	+/- 100 Hz
	Nicht eingerastet in Basis	+/- 1 KHz
Störemissionen:	Abgeleitet/Abgestrahlt	-36 dBm \leq 1 GHz
		-30 dBm $>$ 1 GHz

MTM800FuG Zuordnungsdiagramm Zubehör-zu-Modell

Tabelle 10: Bedienteile

Zubehör	Artikelnummer	M1	M2	M3	M4	M5
Bedienteil, lateinische Tastatur	PMWN4009_	x	x			
Bedienteil zur Remote-Montage, lateinische Tastatur	PMWN4017_			x		
IP67 Motorrad-Bedienteil, lateinische Tastatur	PMWN4002_				x	

Tabelle 11: Erweiterungs- und Remote-Modul-Bausätze

Zubehör	Artikelnummer	M1	M2	M3	M4	M5
Erweitertes Modul für Datendienste	PMLN4908_			x	x	x
Remote-Modul	PMLN4904_			x	x	

Tabelle 12: Mikrofone

Zubehör	Artikelnummer	M1	M2	M3	M4	M5
Tischmikrofon, Mobilmikrofonanschluss	RMN5106_	x	x	x		
Kompaktes Handmikrofon mit Clip	RMN5107_	x	x	x	x	
Handmikrofon mit Clip ²	GMMN4063_	x	x	x		x
Umschalter (PTT)	RLN5926_	x	x	x	x	x
Intelligentes Visiermikrofon	RMN5054_	x	x	x	x	x
Visiermikrofon	PMMN4087_	x	x	x	x	x
Robustes Handmikrofon	RMN5111_	x	x	x	x	x

Tabelle 13: Lautsprecher

Zubehör	Artikelnummer	M1	M2	M3	M4	M5
Kleiner Lautsprecher, 5 W ²	GMSN4078_	x	x	x	x	x
Lautsprecher, 13W ²	GMSN4066_	x	x	x	x	x
Externer Lautsprecher, 5 W	RSN4004_	x	x	x	x	x
Externer Lautsprecher, 13 W	RSN4002_	x	x	x	x	x
Externer Lautsprecher, 7 W	RSN4003_	x	x	x	x	x

Tabelle 14: Handsets

Zubehör	Artikelnummer	M1	M2	M3	M4	M5
Handapparat in Telefonhörerausführung mit Auflage und Befestigungsmaterial	HLN7016_	x	x	x	x	x
Kit, Halterung für Telefon-Halterung	NNTN7232_	x	x	x	x	x
Kit, Hardware für Telefon-Halterung	NNTN7214_	x	x	x	x	x
BMI Hörer Lautsprecher-Mikrofon	PMMN4070_	x	x	x	x	x

Tabelle 15: PTT-Schalter

Zubehör	Artikelnummer	M1	M2	M3	M4	M5
Externer PTT-Schalter mit Not-Fußschalter (zur Verwendung mit einer Anschlussbox)	RLN4836AR	x	x	x	x	
Schwanenhals-PTT (zur Verwendung mit einer Anschlussbox)	RLN4858_	x	x	x	x	
Drucktaste mit Remote-PTT (zur Verwendung mit einer Anschlussbox)	RLN4857_	x	x	x	x	

Tabelle 16: Tisch- und Datenboxbefestigung

Zubehör	Artikelnummer	M1	M2	M3	M4	M5
Tischstation ohne Lautsprecher	GLN7318_		x			
Tischstation mit Lautsprecher	RSN4005_		x			
Tischnetzteil	HPN4007_		x			x
Tischnetzteil	GPN6145_		x			x

Tabelle 17: Netzkabel (für das Tischnetzteil GPN6145 und HPN4007)

Zubehör	Artikelnummer	M1	M2	M3	M4	M5
Netzkabel für USA (3060665A04), verpackt	NTN7373_		x			x
Netzkabel für Europa (3060665A05), verpackt	NTN7374_		x			x
Netzkabel für Großbritannien (3002120F02), verpackt	NTN7375_		x			x
Netzkabel, zur Verwendung mit HPN4007C und GPN6145B	GKN6266_		x			x

Tabelle 18: Kabel

Zubehör	Artikelnummer	M1	M2	M3	M4	M5
Kabel für Remote-Halterung (Funkgerät zu C/H), 3 m	RKN4077_			x		
Kabel für Remote-Halterung (Funkgerät zu C/H), 5 m	RKN4078_			x		

Tabelle wird fortgesetzt...

Zubehör	Artikelnummer	M1	M2	M3	M4	M5
Kabel für Remote-Halterung (Funkgerät zu C/H), 7 m	RKN4079_			x		
Kabel für Remote-Halterung (Funkgerät zu C/H), 10 m	PMKN4020_			x		
Zubehör-Erweiterungskabel, 2,3 m	PMKN4029_			x	x	
Motorradhalterung, TELCO-Kabel, 2,3 m	PMKN4030_				x	
Lautsprecher-Verlängerungskabel (zur Verwendung mit einer Anschlussbox)	GMKN4084_	x	x	x	x	
Lautsprecher-Verlängerungskabel	PMKN4119_	x	x	x	x	

Tabelle 19: Anschlussbox

Zubehör	Artikelnummer	M1	M2	M3	M4	M5
Daten-Anschlussbox	GMLN5089_	x	x	x	x	
Kabel, 6 m, Transceiver zu Anschlussbox ²	PMKN4101_	x	x	x	x	
Kabel, 4 m, Transceiver zu Anschlussbox ²	PMKN4102_	x	x	x	x	
Kabel, 2 m, Transceiver zu Anschlussbox ²	PMKN4103_	x	x	x	x	

Tabelle 20: Netzkabel (zum Mobilgerät)

Zubehör	Artikelnummer	M1	M2	M3	M4	M5
12-V-Netzkabel zu Akku, 3 m mit Sicherung (10 A)	GKN6270_	x		x	x	
12-V-Netzkabel zu Akku, 6 m mit Sicherung (10 A)	GKN6274_	x		x	x	

Tabelle 21: Installation

Zubehör	Artikelnummer	M1	M2	M3	M4	M5
Externes Alarmrelais	GKN6272_	x	x	x	x	
Externes Alarmrelais (PTO-Kit mit GKN6272A & PMLN5072A)	GMLN5091_	x	x	x	x	
Zubehöranschlusssatz – Geräterückseite (zur Verwendung einer Anschlussbox)	HLN9457_	x	x	x	x	
Zubehöranschlusssatz – Anschlussbox, 26-poliger Stecker ¹	PMLN5072_	x	x	x	x	

Tabelle 22: Halterung (Transceiver)

Zubehör	Artikelnummer	M1	M2	M3	M4	M5
Abschließbare Gerätehalterung	RLN4779_	x	x	x	x	x
Halterung für erhöhte Montage	GLN7317_	x	x	x	x	x
Halterung für niedrige Montage	GLN7324_	x	x	x	x	x

Tabelle wird fortgesetzt...

Zubehör	Artikelnummer	M1	M2	M3	M4	M5
Halterung zur Installation des Transceivers im DIN-Schacht	PMLN5094_	x	x	x	x	x

Tabelle 23: Halterung (Bedienteil)

Zubehör	Artikelnummer	M1	M2	M3	M4	M5
Halterungssatz für Remote-Montage	PMLN4912_			x		
Halterungssatz für Motorradmontage	PMLN5092_				x	
DIN-Halterung	PMLN5093_			x		

Tabelle 24: Programmierung/Daten

Zubehör	Artikelnummer	M1	M2	M3	M4	M5
USB-Programmierskabel (Port an der Geräterückseite) ⁴	PMKN4110_	x	x	x	x	x
Aktives Datenkabel ³	PMKN4104_	x	x	x	x	
USB-Programmierskabel (Mobilmikrofonanschluss)	HKN6184_	x	x	x	x	x

Tabelle 25: Antennen (mit Funkgeräten verkauft)

Zubehör	Artikelnummer	M1	M2	M3	M4	M5
Peitschenantenne Tetra mit Gelenk, 380–430 MHz	GMAE4253_	x	x	x	x	x
Glasmontage-Antenne Tetra, 410 – 430MHz	GMAE4254_	x	x	x	x	x
Konsolen-/Dachmontage-Antenne Tetra 380 – 430 MHz	GMAE4255_	x	x	x	x	x
Magnetmontage-Antenne Tetra, 380 – 400 MHz	GMAE4256_	x	x	x	x	x
Magnetmontage-Antenne Tetra, 410 – 430 MHz	GMAE4257_	x	x	x	x	x
Glasmontage-Antenne Tetra, 380 – 400 MHz	GMAE4258_	x	x	x	x	x
Glasmontage-Antenne Tetra, 410 – 430 MHz	GMAE4259_	x	x	x	x	x
Niedrigmontage-Antenne Tetra, 380 – 400 MHz	GMAE4260_	x	x	x	x	x
Niedrigmontage-Antenne Tetra, 410 – 430 MHz	GMAE4261_	x	x	x	x	x
Wandmontage-Antenne Tetra, 380 – 400 MHz	GMAE4262_	x	x	x	x	x
Wandmontage-Antenne Tetra, 410 – 430 MHz	GMAE4263_	x	x	x	x	x
Motorrad-Antenne Tetra, 380 – 400 MHz	GMAE4266_	x	x	x	x	x
Motorrad-Antenne Tetra, 410 – 430 MHz	GMAE4267_	x	x	x	x	x
Konsolen-/Dachmontage-Antenne/Dicke bis zu 4 mm	GMLN4276_	x	x	x	x	x
Konsolen-/Dachmontage-Antenne/Dicke bis zu 6 mm	GMLN4277_	x	x	x	x	x
Magnetmontage-Antenne	GMAE4279_	x	x	x	x	x
Peitschenantenne Tetra mit flexiblem Gelenk, 380 – 400 MHz	GMAE4279_	x	x	x	x	x

Tabelle wird fortgesetzt...

Zubehör	Artikelnummer	M1	M2	M3	M4	M5
Peitschenantenne Tetra mit flexiblem Gelenk, 410 – 430 MHz	GMAE4280_	x	x	x	x	x
Peitschenantenne Tetra mit flexiblem Gelenk, 380 – 430 MHz	GMAE4281_	x	x	x	x	x
Peitschenantenne Tetra mit Gelenk, 380–400 MHz	GMAE4282_	x	x	x	x	x
Peitschenantenne Tetra mit Gelenk, 410–430 MHz	GMAE4283_	x	x	x	x	x
Peitschenantenne Tetra mit Gelenk, 380–430 MHz	GMAE4284_	x	x	x	x	x
GPS/TETRA COMBI-Antennen-Kit, 380-430 MHz	GMAE4248_	x	x	x	x	x
Antenne, Motorrad UHF 438-470 MHz	GMAE4268_				x	
Antenne, kombiniert GPS/UHF 430-470 MHz	PMAE4269_	x	x	x	x	x
Antenne, Befestigung auf Glas 450-470 MHz	GMAE4270_	x	x	x	x	x
Antennenkuppel-Panel/Dachmontage, 430-470 MHz	GMAE4271_	x	x	x	x	x
Antenne, Magnetbefestigung, 430-470 MHz	GMAE4272_	x	x	x	x	x
Glasmontage-Antenne, 420-465 MHz	GMAE4273_	x	x	x	x	x
Antenne, flaches Profil, 430-470 MHz	GMAE4274_	x	x	x	x	x
Antenne, Wandbefestigung, 430-470 MHz	GMAE4275_	x	x	x	x	x
Antenne, Dachmontage	GMLN4276_	x	x	x	x	x
Antenne, Dachmontage	GMLN4277_	x	x	x	x	x
Magnetmontage-Antenne	GMLN4278_	x	x	x	x	x
Tetra-Peitschenantenne mit flexiblem Gelenk, 450 MHz	GMAE4285_	x	x	x	x	x
Flexible Tetra-Peitschenantenne, 450 MHz	GMAE4286_	x	x	x	x	x

Tabelle 26: GPS

Zubehör	Artikelnummer	M1	M2	M3	M4	M5
GPS-Adapter (wird benötigt, wenn MTM800 FME-Antennen erneut verwendet werden)	PMKN4114_	x	x	x	x	x
Kombinierte Antenne Tetra/GPS 380-430 MHz SMA	GMAE4507_	x	x	x	x	x
Nur-GPS-Konsolenmontage-Antenne SMA	GMAG4253_	x	x	x	x	x
Nur-GPS-Magnetmontage-Antenne SMA	GMAG4254_	x	x	x	x	x
Kombinierte TETRA- und GPS-Antenne, 350 MHz	PMAE4493_	x	x	x	x	x

¹ Bewahren Sie die GCAI-Anschlussabdeckung aus dem Lieferumfang des neuen Bedienteils auf.

² Erfordert Anschlussbox, GMLN5089_.

³ Das Kabel PMKN4104 ist nur kompatibel, wenn die Remote-Konfiguration nicht mit einem erweiterten Modul für Datendienste als deren Bestandteil ausgestattet ist. Bei einer derartigen Konfiguration kann über das erweiterte Modul für Datendienste auf die TETRA PEI für IP-Paketdaten und SDS-Dienste zugegriffen werden. Das aktive Datenkabel PMKN4104_ kann nicht verwendet werden.

⁴ Wird sowohl für die Programmierung als auch für die Datenübertragung verwendet.

**Vorsicht:**

Komplexe Installationen, bei denen die Verlegung von Verlängerungskabeln und Bedienteile für Remote-Montage mit Audio-Zubehör wie dem Handapparat in Telefonausführung (HLN7016_) erforderlich sind, könnten vom sorgfältigen Verlegen von Kabeln und, in einigen Fällen, zusätzlicher EMV-Reduzierungsmethoden wie der Verwendung von Ferrit/Toroid-Zubehör profitieren. Geeignete Beispiele dafür sind Folgende:

- Ferritklemme, Teilnr. 91012044001, 91012044002 oder 91012044003
- Toroid, Teilnr. 01015001001

MTM800FuG ET Zuordnungsdiagramm Zubehör-zu-Modell



Hinweis: Beschreibungen von Modellen (M1 — M5) finden Sie in Abschnitt „Modellbeschreibungen“

Tabelle 27: Bedienteile

Zubehör	Artikelnummer	M1	M2	M3	M4	M5
Ethernet-Bedienteil mit Datendienst-Erweiterung	PMLN7009_			x		
Remote Ethernet-Bedienteil (eCH), lateinisch	PMWN4024_			x		
Ethernet-Bedienteil in Telefonausführung (TSCH), lateinisch	PMWN4025_			x		

Tabelle 28: Mikrofone

Zubehör	Artikelnummer	M1	M2	M3	M4	M5
Tischmikrofon, Mobilmikrofonanschluss	RMN5106_	x	x	x		
Kompaktes Handmikrofon mit Clip	RMN5107_	x	x	x	x	
Handmikrofon mit Clip ²	GMMN4063_	x	x	x		x
Intelligentes Visiermikrofon	RMN5054_	x	x	x	x	x
Visiermikrofon	PMMN4087_	x	x	x	x	x
Hochleistungsmikrofon	RMN5111_	x	x	x	x	x
Umschalter (PTT)	RLN5926_	x	x	x	x	x

Tabelle 29: Lautsprecher

Zubehör	Artikelnummer	M1	M2	M3	M4	M5
Externer Lautsprecher, 5 W	RSN4004_	x	x	x	x	x
Externer Lautsprecher, 13 W	RSN4002_	x	x	x	x	x
Externer Lautsprecher, 7 W	RSN4003_	x	x	x	x	x
Lautsprecher-Verlängerungskabel	PMKN4119_	x	x	x	x	x
Kleiner Lautsprecher, 5 W ²	GMSN4078_	x	x	x	x	x

Tabelle 30: Handsets

Zubehör	Artikelnummer	M1	M2	M3	M4	M5
Handapparat in Telefonhörerausführung mit Auflage und Befestigungsmaterial	MDHLN7016_	x	x	x	x	x
Handapparat in Telefonhörerausführung mit Mittel PTT, Auflage und Befestigungsmaterial	MDHLN7016A SP01	x	x	x	x	x
Kit, Halterung für Telefon-Halterung	NNTN7232_	x	x	x	x	x
Kit, Hardware für Telefon-Halterung	NNTN7214_	x	x	x	x	x
BMI Hörer-Lautsprecher, Mikrofon	PMMN4070_	x	x	x	x	x

Tabelle 31: PTT-Schalter

Zubehör	Artikelnummer	M1	M2	M3	M4	M5
Umschalter (PTT)	RLN5926_	x	x	x	x	
Externe Sendetaste (PTT) mit Notruffußschalter ²	RLN4836AR	x	x	x	x	x
Schwanenhals-PTT ²	RLN4858_	x	x	x	x	x
Schalter mit Remote-Sendetaste ²	RLN4857_	x	x	x	x	x
Umschalter (PTT) ²	RLN5926_	x	x	x	x	x

Tabelle 32: Kabel

Zubehör	Artikelnummer	M1	M2	M3	M4	M5
Tetra Mobile Ethernet-Kabel, 40 m	PMKN4135_			x		
Tetra Mobile Ethernet-Kabel, 15 m	PMKN4146_			x		
Tetra Mobile Ethernet-Kabel, 12 m	PMKN4136_			x		
Tetra Mobile Ethernet-Kabel, 10 m	PMKN4138_			x		
Tetra Mobile Ethernet-Kabel, 7 m	PMKN4139_			x		
Tetra Mobile Ethernet-Kabel, 5 m	PMKN4140_			x		
Tetra Mobile Ethernet-Kabel, 3 m	PMKN4141_			x		
RECH Y-Kabel mit Sicherung (2 A)	PMKN4133_			x		
TSCH Y-Kabel mit Sicherung (2 A)	PMKN4134_			x		
Zubehör-Kit	PMLN6487_			x		
SIM-Kartenleserkabel, 60 cm	PMKN4137_			x		
SIM-Kartenleserkabel, 195 cm	PMKN4142_			x		

Tabelle 33: Netzkabel (zum Mobilgerät)

Zubehör	Artikelnummer	M1	M2	M3	M4	M5
12-V-Netzkabel zu Akku, 3 m mit Sicherung (10 A)	GKN6270_	x		x	x	
12-V-Netzkabel zu Akku, 6 m mit Sicherung (10 A)	GKN6274_	x		x	x	

Tabelle 34: Installation

Zubehör	Artikelnummer	M1	M2	M3	M4	M5
Externes Alarmrelais (PTO-Kit mit GKN6272A & PMLN5072A)	GMLN5091_	x	x	x	x	
Zubehöranschlusssatz – Anschlussbox, 26-poliger Stecker ¹	PMLN5072_	x	x	x	x	
Externes Alarmrelais	GKN6272_			x		
Externes Alarmrelais (PTO-Kit mit GKN6272A & PMLN5072A)	GMLN5091_			x		
Zubehöranschlusssatz – Funkgerät Rückseite ²	HLN9457_			x		

Tabelle 35: Halterung (Transceiver)

Zubehör	Artikelnummer	M1	M2	M3	M4	M5
Abschließbare Gerätehalterung	RLN4779_	x	x	x	x	x
Halterung für erhöhte Montage	GLN7317_	x	x	x	x	x
Halterung für niedrige Montage	GLN7324_	x	x	x	x	x
Halterung zur Installation des Transceivers im DIN-Schacht	PMLN5094_	x	x	x	x	x

Tabelle 36: Halterung (Bedienteil)

Zubehör	Artikelnummer	M1	M2	M3	M4	M5
Halterungssatz für Remote-Montage	PMLN4912_			x		
Halterungssatz für Motorradmontage	PMLN5092_				x	
DIN-Halterung	PMLN5093_			x		
Kit für dünne Montagehalterung	PMLN6346_			x		

Tabelle 37: Programmierung/Daten

Zubehör	Artikelnummer	M1	M2	M3	M4	M5
USB-Programmierskabel (Port an der Geräterückseite) ⁴	PMKN4110_	x	x	x	x	x
Aktives Datenkabel ³	PMKN4104_	x	x	x	x	
USB-Programmierskabel (Mobilmikrofonanschluss)	HKN6184_	x	x	x	x	x
USB-Programmierskabel	25-124330-01_	x	x	x	x	x

Tabelle 38: Antennen (mit Funkgeräten verkauft)

Zubehör	Artikelnummer	M1	M2	M3	M4	M5
Peitschenantenne Tetra mit Gelenk, 380–430 MHz	GMAE4253_	x	x	x	x	x
Glasmontage-Antenne Tetra, 410 – 430MHz	GMAE4254_	x	x	x	x	x
Konsolen-/Dachmontage-Antenne Tetra 380 – 430 MHz	GMAE4255_	x	x	x	x	x
Magnetmontage-Antenne Tetra, 380 – 400 MHz	GMAE4256_	x	x	x	x	x
Magnetmontage-Antenne Tetra, 410 – 430 MHz	GMAE4257_	x	x	x	x	x
Glasmontage-Antenne Tetra, 380 – 400 MHz	GMAE4258_	x	x	x	x	x
Glasmontage-Antenne Tetra, 410 – 430 MHz	GMAE4259_	x	x	x	x	x
Niedrigmontage-Antenne Tetra, 380 – 400 MHz	GMAE4260_	x	x	x	x	x
Niedrigmontage-Antenne Tetra, 410 – 430 MHz	GMAE4261_	x	x	x	x	x
Wandmontage-Antenne Tetra, 380 – 400 MHz	GMAE4262_	x	x	x	x	x
Wandmontage-Antenne Tetra, 410 – 430 MHz	GMAE4263_	x	x	x	x	x
Motorrad-Antenne Tetra, 380 – 400 MHz	GMAE4266_	x	x	x	x	x
Motorrad-Antenne Tetra, 410 – 430 MHz	GMAE4267_	x	x	x	x	x
Konsolen-/Dachmontage-Antenne/Dicke bis zu 4 mm	GMLN4276_	x	x	x	x	x
Konsolen-/Dachmontage-Antenne/Dicke bis zu 6 mm	GMLN4277_	x	x	x	x	x
Magnetmontage-Antenne	GMLN4278_	x	x	x	x	x
Peitschenantenne Tetra mit flexiblem Gelenk, 380 – 400 MHz	GMAE4279_	x	x	x	x	x
Peitschenantenne Tetra mit flexiblem Gelenk, 410 – 430 MHz	GMAE4280_	x	x	x	x	x
Peitschenantenne Tetra mit flexiblem Gelenk, 380 – 430 MHz	GMAE4281_	x	x	x	x	x
Peitschenantenne Tetra mit Gelenk, 380–400 MHz	GMAE4282_	x	x	x	x	x
Peitschenantenne Tetra mit Gelenk, 410–430 MHz	GMAE4283_	x	x	x	x	x
Peitschenantenne Tetra mit Gelenk, 380–430 MHz	GMAE4284_	x	x	x	x	x

Tabelle 39: Kennzeichnungsetikett

Zubehör	Artikelnummer	M1	M2	M3	M4	M5
Farbcode (weiß), Beutel mit fünf	PMLN6335_	x	x	x	x	x
Farbcode (grün), Beutel mit fünf	PMLN6336_	x	x	x	x	x
Farbcode (rot), Beutel mit fünf	PMLN6337_	x	x	x	x	x
Farbcode (gelb), Beutel mit fünf	PMLN6338_	x	x	x	x	x
Farbcode (blau), Beutel mit fünf	PMLN6339_	x	x	x	x	x

Tabelle 40: Ferrite für Ethernet-Bedienteil

Zubehör	Artikelnummer	M1	M2	M3	M4	M5
Baugruppe, Ferritperlen	PMLN6488_			x		

Tabelle 41: GPS

Zubehör	Artikelnummer	M1	M2	M3	M4	M5
GPS-Adapter	PMKN4114_	x	x	x	x	x
Kombinierte Antenne Tetra/GPS 380–430 MHz SMA	GMAE4507_	x	x	x	x	x
Nur-GPS-Konsolenmontage-Antenne SMA	GMAG4253_	x	x	x	x	x
Nur-GPS-Magnetmontage-Antenne SMA	GMAG4254_	x	x	x	x	x
Kombinierte Antenne Tetra und GPS 350–390 MHz	PMAE4493_	x	x	x	x	x

¹ Bewahren Sie die GCAI-Anschlussabdeckung aus dem Lieferumfang des neuen Bedienteils auf.

² Erfordert Anschlussbox, GMLN5089_.

³ Das Kabel PMKN4104 ist nur kompatibel, wenn die Remote-Konfiguration nicht mit einem erweiterten Modul für Datendienste als deren Bestandteil ausgestattet ist. Bei einer derartigen Konfiguration kann über das erweiterte Modul für Datendienste auf die TETRA PEI für IP-Paketdaten und SDS-Dienste zugegriffen werden. Das aktive Datenkabel PMKN4104_ kann nicht verwendet werden.

⁴ Wird sowohl für die Programmierung als auch für die Datenübertragung verwendet.

**Vorsicht:**

Komplexe Installationen, bei denen Verlängerungskabel und Bedienteile für Remote-Montage mit Audio-Zubehör wie dem Handapparat in der Telefonhörerausführung (HLN7016_) benötigt werden, könnten vom sorgfältigen Verlegen von Kabeln und, in einigen Fällen, zusätzlicher EMV-Reduzierungsmethoden wie Ferrit/Toroid-Zubehör profitieren. Geeignete Beispiele dafür sind Folgende:

- Ferritklemme, Teilnr. 91012044001, 91012044002 oder 91012044003
- Toroid, Teilnr. 01015001001

Kapitel

3

Vorbereiten des Fahrzeugs

Allgemeine Richtlinien für die Installation von Funkgeräten

Die Installation dieses Produkts in einem Fahrzeug muss den Richtlinien des Fahrzeugherstellers und den Instruktionen in diesem Handbuch entsprechen. Dabei sollten nur die Teile von Motorola, die in diesem Handbuch angegeben sind, verwendet werden.

Sonst wird die Kraftfahrzeugrichtlinie (72/245/EWG, geändert durch 95/54/EG) gegebenenfalls nicht eingehalten. Für Produkte, die für zwei- und dreirädrige Fahrzeuge konzipiert sind, gilt die Richtlinie 97/24/EG.

Dieses Funkgerät ist nur für terrestrische Verwendung konstruiert und zertifiziert.

Ein Zubehöranschluss auf der Rückseite des Geräts ermöglicht Ihnen, verschiedenes Zubehör anzubringen (siehe Abschnitt „Plan für die Zubehöranschlüsse“).

Über einen Mobilmikrofonanschluss auf der vorderen Abdeckung des Bedienteils können verschiedene Mikrofone angeschlossen werden.

Um das Funkgerät in einem Fahrzeug zu installieren, können Sie nach einer der folgenden Methoden vorgehen:

- Unter Verwendung der im Standardpaket enthaltenen Direktmontage-Halterung und des Netzkabels.
- Remote-Montage in der Aussparung für das Autoradio (unter Verwendung des erforderlichen DIN-Montagesatzes PMLN5094) gemäß ISO7736.
- Die zwei Arten der Remote-Montage.



Hinweis:

Dieses Gerät kann nur an eine Stromversorgung von 12 V angeschlossen werden. Bei Fahrzeugen mit 24-V-Stromversorgung ist ein DC/DC-Wandler erforderlich. Verwenden Sie nur DC/DC-Wandler von Herstellern, die eine Zertifizierung für Fahrzeugmontage bieten und deren Geräte den maßgeblichen Funkgeräte-Spezifikationen entsprechen. Motorola empfiehlt eine geeignete Produktreihe von DC/DC-Wandlern von Alfatronix LTD UK. Einige Modelle sind auch über Motorola Radio Aftermarket und Accessory Division (AAD) erhältlich. Fragen Sie Ihren Kundenbetreuer.

Bitte beachten Sie bei der Planung der Installation, dass derzeit ca. 4,5 A während des PTT-Betriebs verbraucht werden und auch bei ausgeschaltetem Gerät ein Stromverbrauch von 30 mA (nicht-Ethernet)/ 90mA (Ethernet) besteht. Zur Netzteil-Spezifikation siehe [Modellspezifikationen auf Seite 19](#).

Das Gerät sollte in horizontaler Lage in der Nähe des Fahrers installiert werden, sodass dieser die Bedienelemente, das Mikrofon (Positionierung der Mikrofonhalterung) sowie das Zubehör gut sehen und bequem bedienen und darauf zugreifen kann. Vor der Installation sind die folgenden Faktoren zu berücksichtigen:

- Vergewissern Sie sich, dass der für die Installation vorgesehene Platz nicht Schmutz oder Feuchtigkeit ausgesetzt ist.
- Vergewissern Sie sich, dass rund um das Funkgerät ausreichend Raum ist, damit die Luft zirkulieren kann und die Installation durchgeführt werden kann.
- Überprüfen Sie, ob genug Platz für den Stromkabelanschluss und das Antennenkoaxialkabel vorhanden ist.
- Wählen Sie den besten Platz für die Anbringung der Anschlüsse, um Quetschen, Knicken oder Überhitzen auf ein Minimum zu reduzieren.

- Wenn Ihr Fahrzeug über einen Airbag verfügt, stellen Sie sicher, dass das Funkgerät sowie jegliches Zubehör nicht im Entfaltungsbereich des Airbags installiert wird.

Deinstallation des Funkgeräts

Vorgang:

1. Vor der Deinstallation des Funkgeräts:
 - a. Schalten Sie das Funkgerät aus.
 - b. Warten Sie mindestens 4 Sekunden, nachdem Sie den Schalter des Funkgeräts losgelassen haben.
 - c. Ziehen Sie dann das 13,2-V-Netzteil.
2. Alternativ können Sie die Hauptstromversorgung abschalten, ohne das Funkgerät abzuschalten.

Installation des Kabels für die Gleichstromversorgung



Vorsicht: Dieses Gerät darf nur in Systemen mit negativem Massepotential betrieben werden. In einem System mit positivem Massepotential verursacht die Sicherung des Netzkabels einen Kurzschluss. Überprüfen Sie daher die Bordspannung des Fahrzeugs, bevor Sie mit der Installation beginnen.

Vorgang:

1. Machen Sie einen Plan zur Verlegung der Kabel, und beachten Sie dabei neben anderen Faktoren, wo das Funkgerät angebracht werden soll:
 - a. Achten Sie nach Möglichkeit darauf, dass das Kabel nicht über den Abgaskatalysator verläuft.
 - b. Stellen Sie sicher, dass das Stromkabel nicht über scharfe Kanten läuft.
 - c. Verwenden Sie Kabeldurchführungen, wenn ein Kabel durch ein Loch in einer metallischen Abdeckung verläuft.



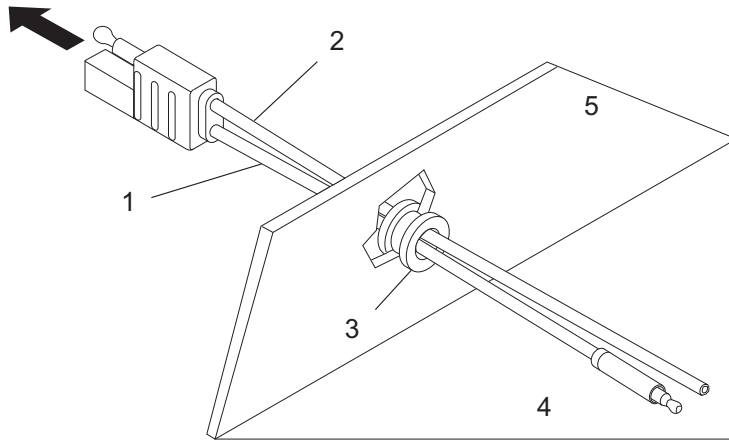
Vorsicht: Ein unsachgemäßer Umgang mit dem Netzkabel kann zu einem Kurzschluss in der Masseleitung führen. Stellen Sie sicher, dass während der Installation des Stromversorgungskabels die Sicherung entfernt ist. Stellen Sie zudem sicher, dass das Stromversorgungskabel nicht parallel zur Antenne verläuft. Interferenzen können dazu führen, dass das Funkmodul nicht richtig arbeitet.

2. Nutzen Sie zum Verlegen des Kabels ein in der Stirnwand bereits existierendes Loch mit einer Kabeldurchführung, oder bohren Sie mit einem 9,5-mm-Bohrer ein Zugangsloch in die Stirnwand. Bringen Sie in dem Loch eine Kabeldurchführung mit einem Innendurchmesser von 5 mm an, um das Netzkabel zu schützen.



Vorsicht: Achten Sie darauf, bestehende Verkabelungen nicht zu beschädigen.

3. Führen Sie von der Fahrgastzelle aus den roten und den schwarzen Draht (ohne dass die Kabelschuhe daran befestigt sind) durch das Loch in den Motorraum.

Abbildung 1: Netzkabel in den Motorraum legen

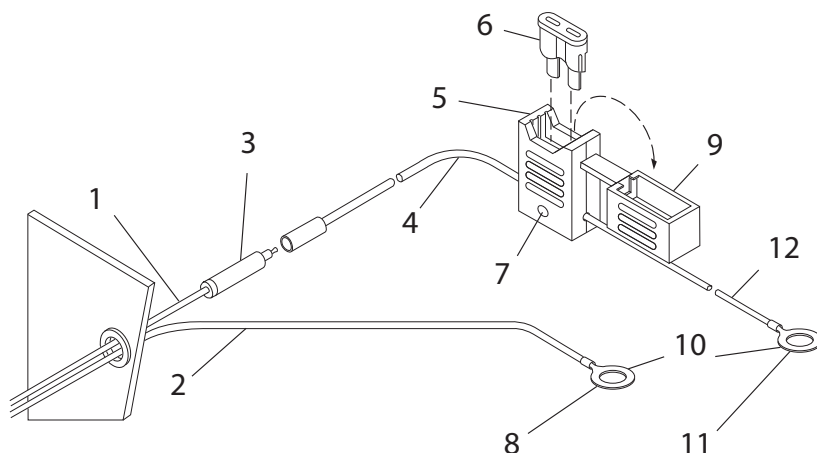
FL0830246-O

Zahl	Beschreibung
1	Roter Draht
2	Schwarzer Draht
3	Kabeldurchführung
4	Motorraum
5	Firewall

4. Schließen Sie den schwarzen Draht des Netzkabels an den nächsten Massepunkt der Karosserie an (verwenden Sie dabei bei Bedarf den mitgelieferten Kabelschuh). Kürzen Sie den schwarzen Draht, wenn er zu lang ist.



Hinweis: Suchen Sie am Fahrzeug nach einem guten Massepunkt. Der Fahrzeugrahmen ist dafür optimal. Eine optimale Leistung des Geräts kann nur dann erzielt werden, wenn die Masseverbindung einen geringen Widerstand aufweist. Stellen Sie sicher, dass die Verbindungen zwischen dem Minuspol der Batterieanschlussklemme, Fahrzeug-Chassis und Motorblock einen geringen Widerstand haben.

Abbildung 2: Anschluss des Netzkabels

1FL08302470

Zahl	Beschreibung
1	Roter Draht
2	Schwarzer Draht (mind. 2,5 mm)
3	Adapter
4	Roter Draht (mind. 2,5 mm)
5	Sicherungshalter
6	Sicherung (10 A)
7	Montageloch
8	Zur Batterie (-) oder Karosserie
9	Abdeckung
10	Kabelschuhe
11	Zur Batterie (+)
12	Roter Draht (mind. 2,5 mm)

5. Bringen Sie den Sicherungshalter in der Nähe der Batterie an. Vergewissern Sie sich, dass sich in der Nähe keine heißen Motorteile befinden. Bringen Sie den Sicherungshalter mithilfe des Montagelochs an, und befestigen Sie die Kabel wie hier beschrieben.
6. Führen Sie das freiliegende Ende des roten Drahts vom Sicherungshalter in die Hülse des Kabelschuhs ein, und klemmen Sie sie zusammen. Verbinden Sie das rote Adapterkabel der Sicherungshalterung mit dem entsprechenden Anschluss am roten Draht des Netzkabels.
7. Verbinden Sie den Kabelschuh des roten Kabels der Sicherungshalterung mit dem Pluspol der Batterie. Vergewissern Sie sich, dass das Adapterkabel mit dem roten Draht des Stromversorgungskabels verbunden ist.
8. Überprüfen Sie sorgfältig, ob alle Verbindungen korrekt sind. Führen Sie die Sicherung in die Sicherungshalterung ein, und schließen Sie die Abdeckung.

Erforderliche Schritte danach: In der folgenden Tabelle sind die für dieses Funkgerät verfügbaren Stromversorgungskabel aufgeführt.

Gleichstromkabel

Tabelle 42: Gleichstromkabel

Zahl	Beschreibung	Bewertung
GKN6270_	Netzkabel zum Akku mit Sicherung, 10 A	12-V-Netzkabel zur Batterie, Länge: 3 m
GKN6274_	Netzkabel zum Akku mit Sicherung, 10 A	12-V-Netzkabel zur Batterie, Länge: 6 m
6500139767	Sicherung 10 A für das Netzkabel	
6580283E02	Sicherung, 4 A, für Zündungserkennungskabel	
6505663R02	Sicherung, 2 A für Y-Kabel	



Vorsicht: Durchgebrannte Sicherungen dürfen nur durch Sicherungen mit gleichen Werten ersetzt werden. Verwenden Sie nie Sicherungen mit anderen Werten.



Hinweis: Weitere Informationen zu Zündkabeln finden Sie im Abschnitt „Installation des Zündungserkennungskabels“. Das Zündungserkennungskabel ermöglicht das Ein- und Ausschalten des Funkgeräts durch die Fahrzeugzündung.

Zündungserkennungskabel installieren

Das PMKN4120_ Zündungserkennungskabel ermöglicht das Ein- und Ausschalten des Funkgeräts durch die Fahrzeugzündung.

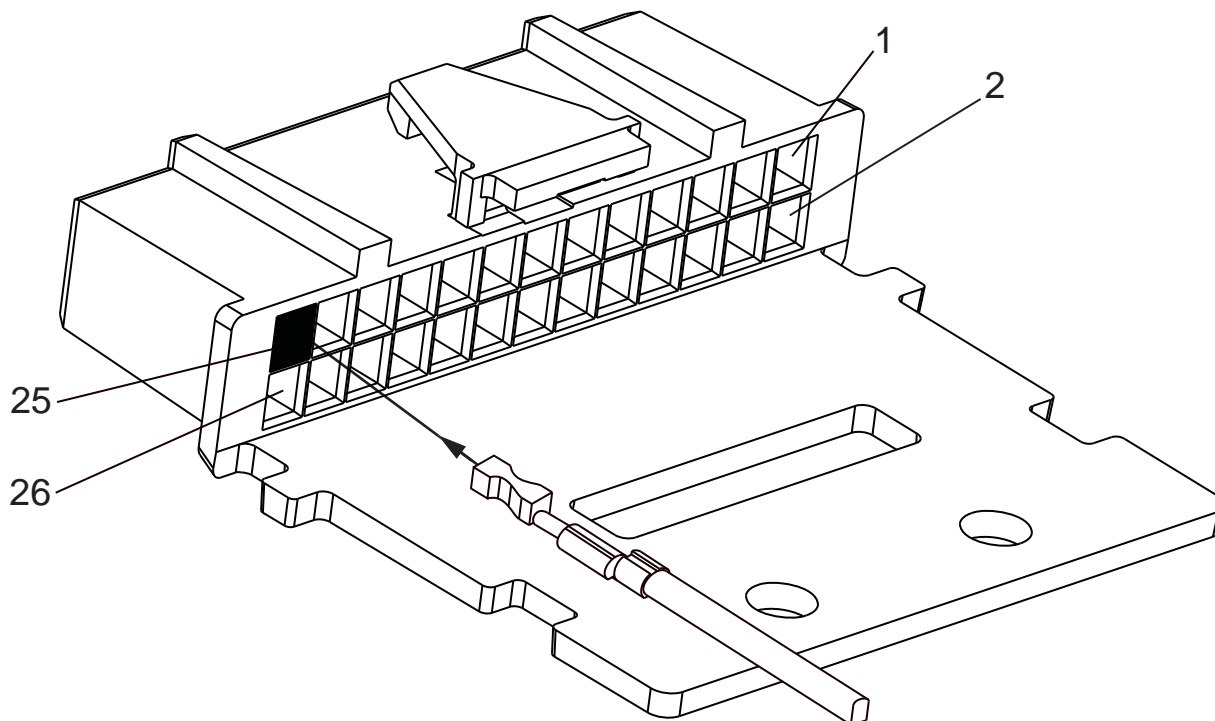


Vorsicht: Durchgebrannte Sicherungen dürfen nur durch Sicherungen mit gleichen Werten ersetzt werden. Verwenden Sie nie Sicherungen mit anderen Werten. Stellen Sie sicher, dass die Sicherung während der Kabelinstallation entfernt ist.

Vorgang:

1. Schließen Sie das Zündungserkennungskabel mit dem gecrimpten Anschluss an die Buchse Nr. 25 des Zubehöranchlusses an.
2. Verlegen und befestigen Sie das Kabel mit dem angebrachten Kabelbinder.
3. Schließen Sie den anderen Draht des Zuhörkabels an den Zündschalter des Fahrzeugs an.
4. Führen Sie die Sicherung in die Sicherungshalterung ein, und schließen Sie die Abdeckung.

Abbildung 3: Zubehöranschluss



Vorsicht: Wird die Zündleitung nicht verwendet, MUSS der Anschluss geerdet werden. Interferenzen können dazu führen, dass das Funkmodul nicht richtig arbeitet.



Hinweis:

Die Zündungserkennungsleitung arbeitet mit einem Eingang von 12 Volt oder 24 Volt. Bei einer 24-Volt-Installation muss eine Umwandlung von 24 auf 12 Volt erfolgen. Weitere Informationen finden Sie unter [Allgemeine Richtlinien für die Installation von Funkgeräten auf Seite 33](#). Motorola empfiehlt eine geeignete Produktreihe von DC/DC-Wandlern von Alfatronix LTD UK. Einige Modelle sind auch über Motorola Radio Aftermarket und Accessory Division (AAD) erhältlich. Fragen Sie Ihren Kundenbetreuer.

Das Zündungserkennungskabel-Kit enthält ein dünnes Kabel und einen Sicherungshalter.

Zündungserkennungskabel

Tabelle 43: Zündungserkennungskabel

Zahl	Beschreibung	Bewertung
PMKN4120_	Zündungserkennungskabel, mit Sicherung, 4 A	Zündungserkennungskabel, Länge: 3 m
6580283E02	Sicherung, 4 A, für Zündungserkennungskabel	

Kapitel

4

Installation des Funkgeräts

Einbau in das Armaturenbrett

In diesem Abschnitt wird der Einbau in das Armaturenbrett erklärt — M1.

Einbau des Funkgerätes in das Armaturenbrett

Vorgang:

1. Öffnen Sie die Aussparung (DIN-Öffnung) für das Radio im Armaturenbrett.
2. Nehmen Sie die obere Kunststoffabdeckung vom Radio ab.
3. Führen Sie den Montagerahmen in die Aussparung ein, und fixieren Sie ihn durch Zurückbiegen der entsprechenden Befestigungslaschen (möglichst aller 6).



Hinweis:

Die Laschen können leicht zurückgebogen werden, indem Sie einen großen Schlitzschraubendreher im Schlitz hinter der Lasche ansetzen und drehen.

Um die Installation sicherer zu machen, sollten Ober- und Rückseite des Rahmens auch mit Schrauben befestigt werden.

Als Hilfsmittel kann das Demontagewerkzeug benutzt werden. Es kann zur Montage und Demontage eingesetzt werden.

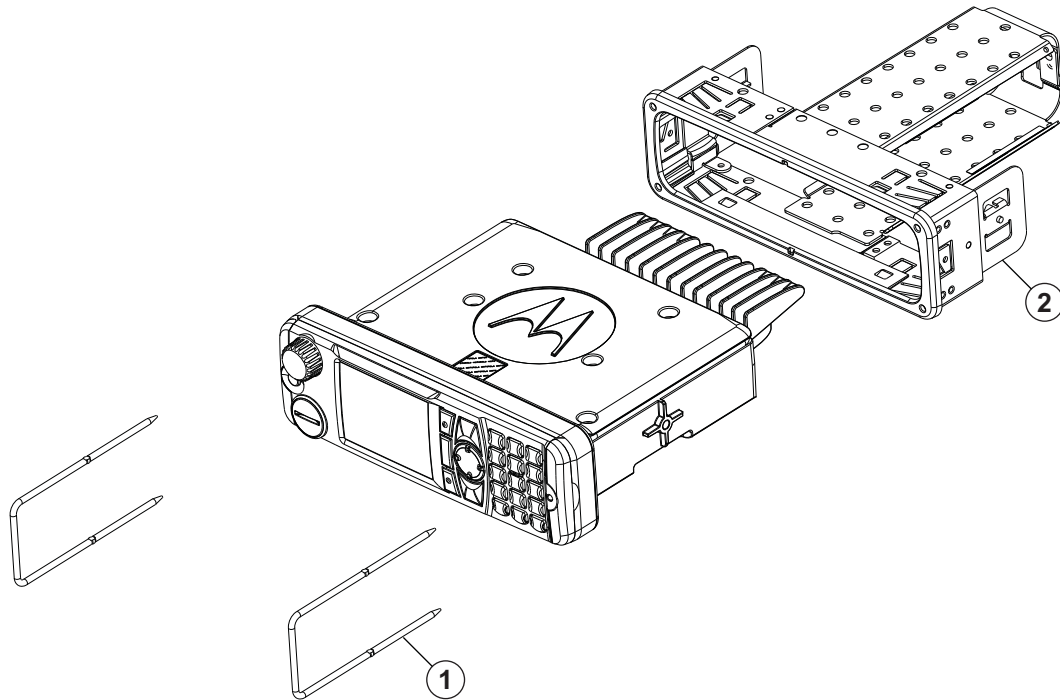
Einbau des Funkgerätes in den Einbaurahmen

Vorgang:

1. Schließen Sie das Funkgerät, die Antenne und das Zubehör an die Stromzufuhr an.
2. Stellen Sie alle Anschlüsse her, und drücken Sie das Funkgerät mit dem erweiterten Remote-Modul oder alternativ dem erweiterten Modul für Datendienste fest auf den Montagerahmen, bis die beiden Federn einrasten.



Hinweis: Überprüfen Sie jedes Mal, wenn Sie das Funkgerät entfernen, ob die Befestigungslaschen noch fest sitzen. Die Laschen können befestigt werden, indem ein großer Schlitzschraubendreher in den Schlitz hinter der Lasche gesteckt wird. Der Rahmen ist jedoch nicht für die tägliche Montage und Demontage ausgelegt.

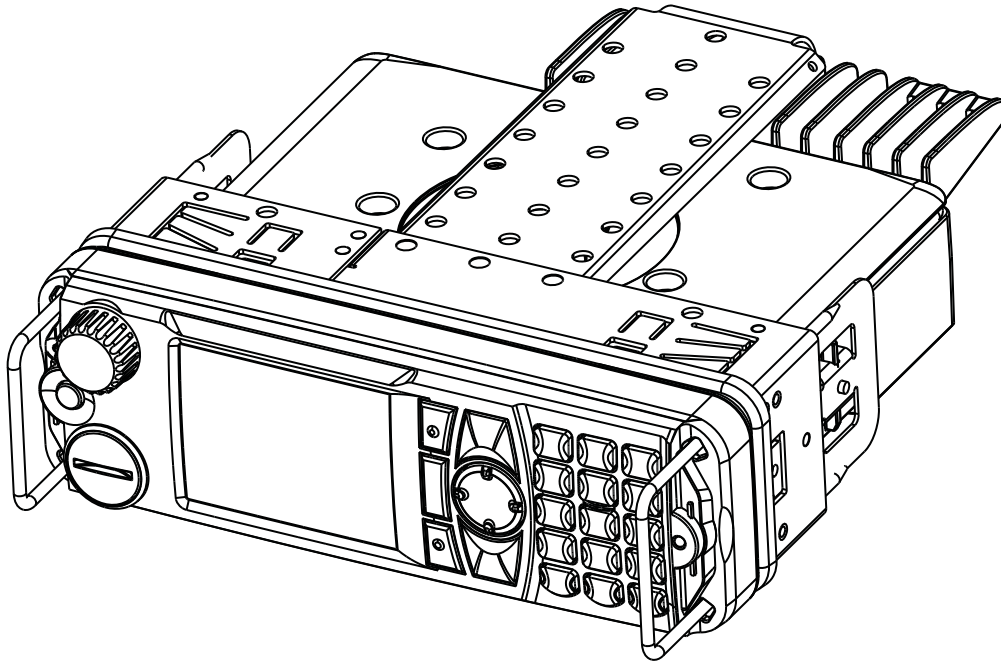
Abbildung 4: Funkgerät mit Montagesatz

Zahl	Beschreibung
1	Demontagewerkzeug (8166514A01) – im Lieferumfang des DIN-Montagesatzes enthalten
2	DIN-Montagesatz PMLN5094_ (einschließlich Demontagewerkzeug)

Funkgerät aus dem Rahmen nehmen

Vorgang:

1. Entfernen Sie die beiden seitlichen Gummikappen vom erweiterten Bedienteil.
2. Führen Sie das Demontagewerkzeug in die beiden Öffnungen ein.

Abbildung 5: Funkgerät mit Demontagewerkzeugen

3. Drücken Sie die Demontagewerkzeuge durch die Öffnungen in den Rahmen.
4. Ziehen Sie das Funkgerät heraus.

Festinstallation

Bei der Option Festinstallation ist das Terminal mit Tischmikrofon, Netzteil, Tischaufsatz (ohne Lautsprecher) und externem Lautsprecher ausgestattet.



Vorsicht: Wird eine Außenantenne benutzt, muss zwischen Außenantenne und dem Antenneneingang des Sendeempfängers ein ordnungsgemäß geerdeter Blitzschutz mit Lambda/4-Stichleitung installiert sein. Das Netzspannungs-Netzteil muss ordnungsgemäß geerdet sein (siehe IEC61312-1). Die Installation muss den Anforderungen aller geltenden lokalen Vorschriften und Gesetzen genügen.

Planung einer Festinstallation

Die Planung ist der Schlüssel für einen schnellen und einfachen Einbau des Geräts. Bevor eine Bohrung vorgenommen oder ein Kabel verlegt wird, müssen Sie die entsprechende Position prüfen und festlegen, wie und wo Sie die Antenne, das Gerät und das Zubehör installieren wollen. Planen Sie die Draht- und Kabelverbindungen so, dass ein maximaler Schutz vor dem Einklemmen, Zerdrücken und dem Überhitzen der Elemente besteht. Die Planung der Installation sollte nur von Personen durchgeführt werden, die sich in der Materie auskennen. Dadurch wird sichergestellt, dass die Installation den behördlichen Anforderungen genügt, darunter die EMV/EMC- (EMC, Electromagnetic Compatibility) und IEC-Bestimmungen (International Electrotechnical Commission).

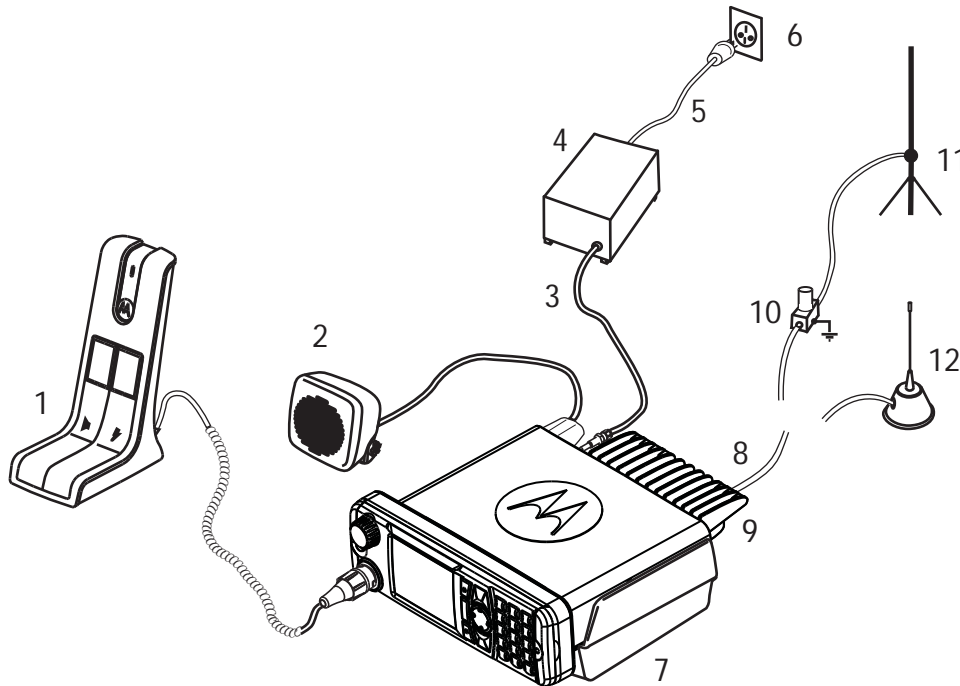
Festinstallation

Wann und wo zu verwenden: Führen Sie die folgenden Schritte aus, um eine Festinstallation des Funkgeräts vorzunehmen.

Vorgang:

1. Stellen Sie sicher, dass die Stromzufuhr gewährleistet ist.
2. Vergewissern Sie sich, dass das Gerät ausreichend belüftet ist und nicht überhitzt.

3. Wählen Sie eine flache Oberfläche für die Feststation und den externen Lautsprecher.
4. Stellen Sie sicher, dass die Montagefläche das Gewicht des Geräts und des Aufsatzes tragen kann.
5. Wenn eine Außenantenne verwendet wird, wählen Sie für das Funkgerät einen Platz, der so nah wie möglich am Eintrittsort des Antennenkabels in das Gebäude liegt. Stellen Sie sicher, dass die Installation des Überspannungsschutzes mit den Anweisungen und Sicherheitshinweisen des Herstellers übereinstimmt. Das Netzteil muss entsprechend geerdet sein.

Abbildung 6: Typische Festmontage

Zahl	Beschreibung	Artikelnummer
1	Tischmikrofon	RMN5106_
2	Lautsprecher	RSN4002_ oder RSN4004_
3	Gleichstromkabel	GKN6266_
4	Stromversorgung	GPN6145_ oder HPN4007_
5	Geerdetes Kabel	
6	Steckdose	
7	Tischstation mit integriertem Lautsprecher	GLN7318_ oder RSN4005_
8	Antennenkabel	
9	BNC-Antennenanschluss	
10, 11, 12	Typische Antennen: Blitzableiter mit Lambda/4-Stichleitung, Außenantenne, Zimmerantenne	

Tabelle 44: Entsprechende Komponenten

Spalte	Beschreibung	Artikelnummer
1	Tischmikrofon	RMN5106_

Tabelle wird fortgesetzt...

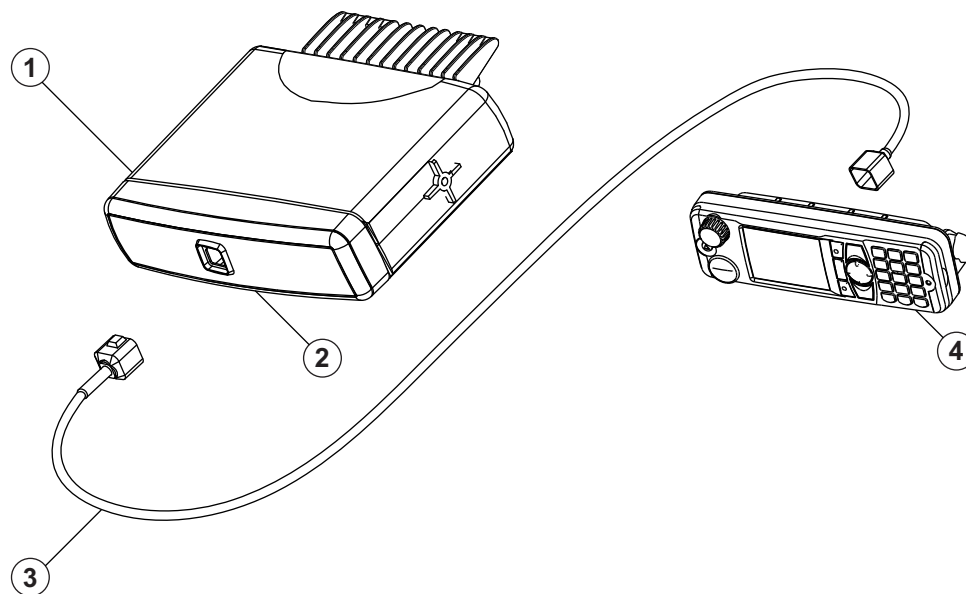
Spalte	Beschreibung	Artikelnummer
2	Externer Lautsprecher, 13 W	RSN4002_
3	Kleiner Lautsprecher, 5 W	RSN4004_
4	Tischstation ohne Lautsprecher	GLN7318_
5	Tischnetzteil oder Stromversorgung 14 V 15 A UNI 117/240 V AC	GPN6145_ oder HPN4007_
6	Netzkabel (Stromversorgung für die Tischversion)	GKN6266_
8	Blitzableiter mit Lambda/4-Stichleitung im entsprechen- den Frequenzbereich	

MTM800FuG Remote-Installation

Es gibt zwei Arten der Remote-Montage:

- Remote-Montage
- Ethernet-Remote-Montage

Abbildung 7: Remote-Montage-Installation mit erweitertem Remote-Modul/erweitertem Modul für Datendienste




Zahl	Beschreibung
1	Transceiver
2	Remote-Erweiterungsmodul PMLN4904_
	 Hinweis: Mögliche Verwendung von erweitertem Bedienteil für Datendienste PMLN4908_.
3	Kabelerweiterung zum Bedienteil
4	Bedienteil zur Remote-Montage

Tabelle 45: Zugehörige Komponenten für die Remote-Montage

Spalte	Beschreibung	Artikelnummer
1	Remote-Kabel – 3 m, 5 m, 7 m, 10 m	RKN4077_, RKN4078_, RKN4079_, PMKN4020_
2	Erweitertes Remote-Bedienteil oder Modul für Datendienste	PMLN4904_ oder PMLN4908_

**Hinweis:**

Bei der Montage an einem Fahrzeug muss auf EMV-Effekte geachtet werden. Bei langen Kabelwegen kann zusätzlicher Schutz erforderlich sein. Motorola hat geeignete Kits zur Unterdrückung, z. B. Teilenummer 01015001001, Toroid EMV-Unterdrückung-Kit.

Wickeln Sie das Kabel zur Remote-Montage zehnmal um jeden Toroid.

Platzieren Sie jeden Toroid im Abstand von jeweils $30,0 \pm 2,5$ cm von Erweiterungsmodul und Bedienteil.

Bei Umwickeln an beiden Enden wird die effektive Kabellänge um ca. um 0,8 m verkürzt.

Befestigen Sie die Toroiden fest an einer stabilen Oberfläche, sobald das Kabel zur Fernmontage angeschlossen ist.

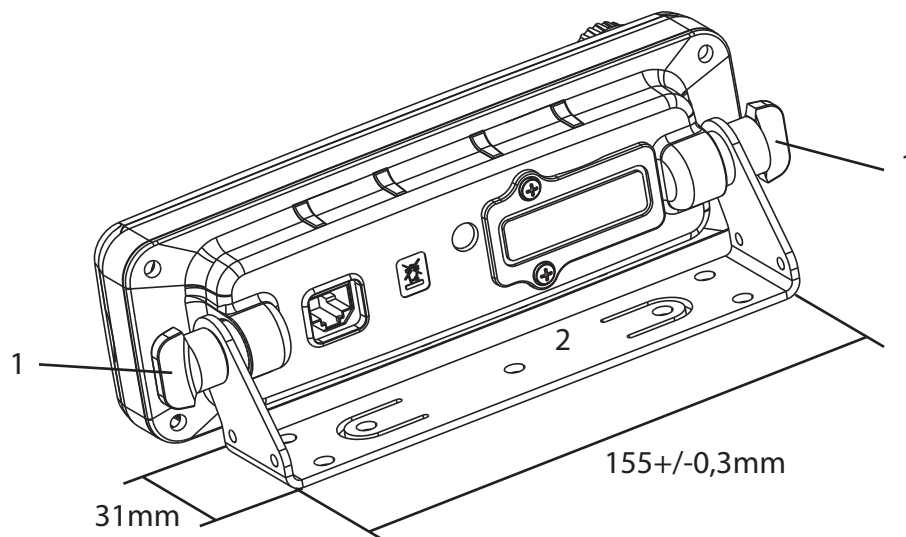
Abgesetztes Bedienteil in die Halterung montieren

Wann und wo zu verwenden: Führen Sie die folgenden Schritte aus, um das erweiterte Bedienteil zur Remote-Montage auf der Halterung für die Remote-Montage anzubringen.

Vorgang:

1. Schieben Sie das erweiterte Bedienteil für die Remote-Montage auf die Halterung, bis es einrastet.
2. Ziehen Sie die Schrauben an beiden Seiten der Halterung an. Neigen Sie das Bedienteil nach ein paar Umdrehungen der Schrauben so weit, dass die Anzeige gut sichtbar ist. Ziehen Sie die Schrauben danach fest.

Abbildung 8: Installation des erweiterten Bedienteils zur Remote-Montage mit der Halterung für die Remote-Montage



1 und 2 – Halterungssatz für Remote-Montage (PMLN4912)

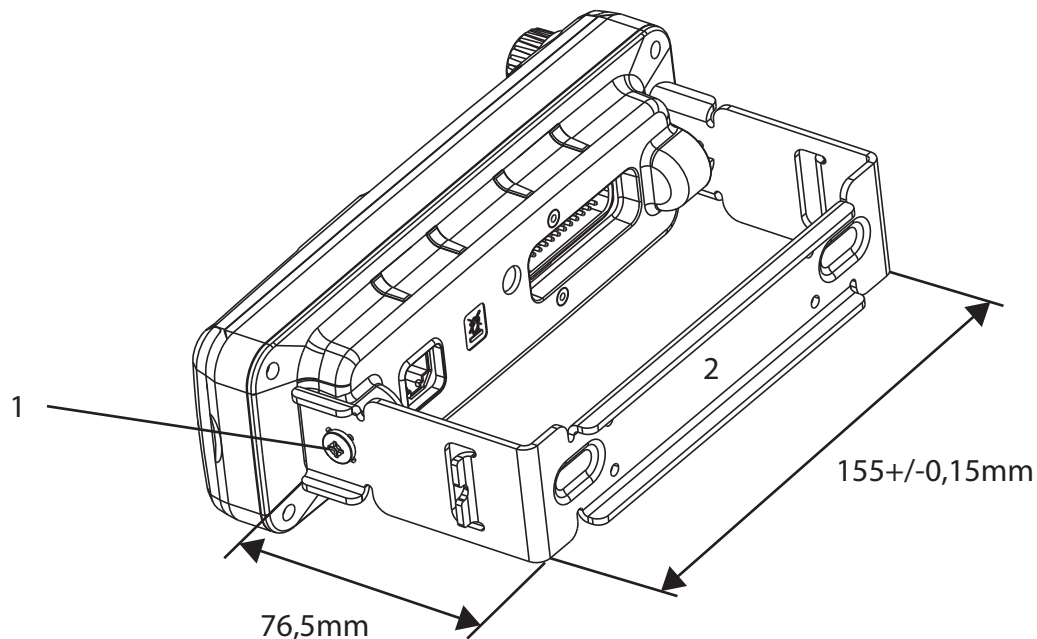
Abgesetztes Bedienteil in die DIN-Halterung montieren

Wann und wo zu verwenden: Führen Sie die folgenden Schritte aus, um das erweiterte Bedienteil zur Remote-Montage auf einer DIN-Halterung anzubringen.

Vorgang:

1. Schieben Sie das erweiterte Bedienteil für die Remote-Montage auf die DIN-Halterung, bis es einrastet.
2. Ziehen Sie die Schrauben an beiden Seiten der DIN-Halterung an.

Abbildung 9: Installation des erweiterten Bedienteils zur Remote-Montage auf einer DIN-Halterung



1 und 2 – DIN-Halterungssatz (PMLN5093)

Abgesetztes Bedienteil in den DIN-Einbaurahmen montieren

Wann und wo zu verwenden: Führen Sie die folgenden Schritte aus, um das erweiterte Bedienteil zur Remote-Montage mit der DIN-Halterung in den DIN-Rahmen einzuführen.

Vorgang:

1. Schieben Sie den Montagerahmen auf die DIN-Halterung, und fixieren Sie ihn, indem Sie die entsprechenden Befestigungslaschen zurückbiegen.
2. Verwenden Sie gegebenenfalls alle sechs Laschen, um die Teile sicher miteinander zu verbinden.



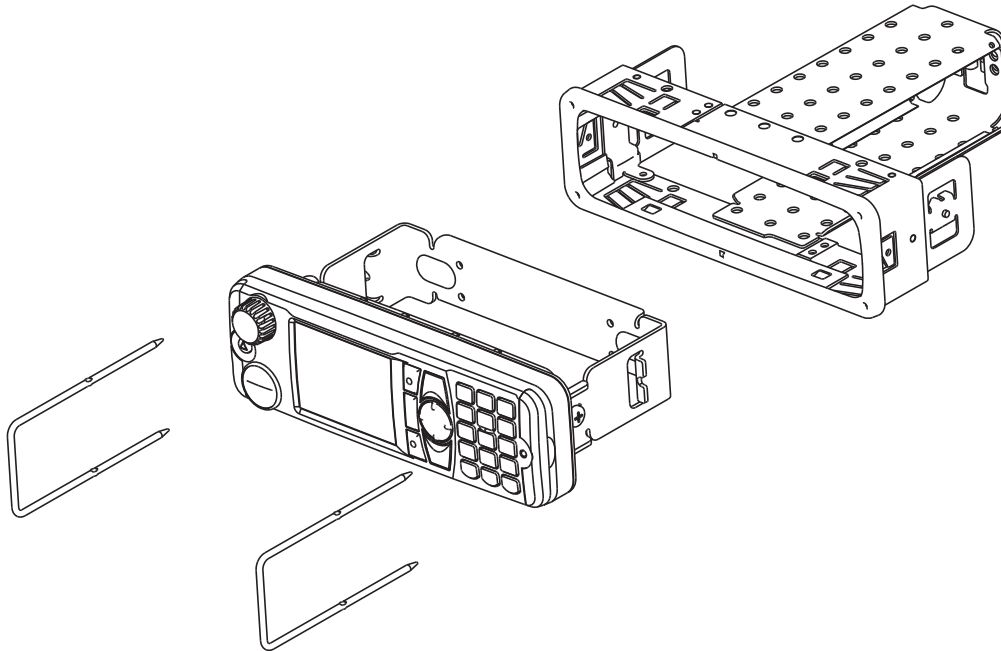
Hinweis:

Die Laschen können leicht zurückgebogen werden, indem Sie einen großen Schlitzschraubendreher im Schlitz hinter der Lasche ansetzen und drehen.

Um die Installation sicherer zu machen, sollten Ober- und Rückseite des Rahmens auch mit Schrauben befestigt werden.

Als Hilfsmittel kann das Demontagewerkzeug benutzt werden. Es kann zur Montage und Demontage eingesetzt werden.

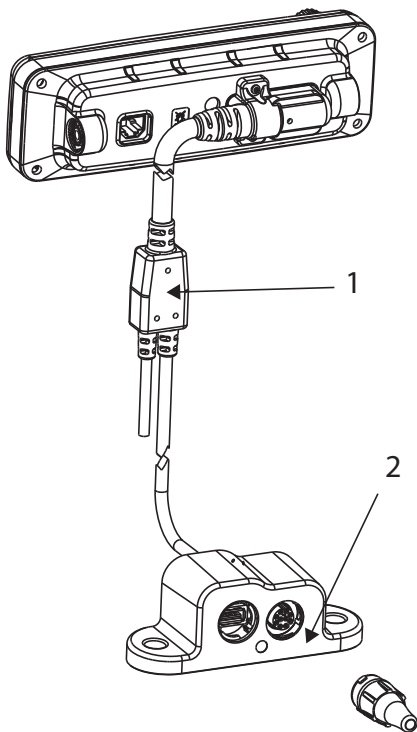
Abbildung 10: Funkgerät mit Halterung und Montagesatz



Weiteres Zubehör mittels Zubehörkabel an das Bedienteil anschließen

Das Zubehör-Verlängerungskabel (PMKN4029_) ermöglicht es Benutzern, über den Mobilmikrofonanschluss (MMP) weitere Zubehörelemente anzuschließen und zu verwenden.

Abbildung 11: Zubehör-Erweiterungskabel mit Mobilmikrofonanschluss (MMP)



Zahl	Beschreibung
1	Zubehör-Verlängerungskabel PMKN4029_/PMKN4056_
2	Mobilmikrofonanschluss

Zubehör-Verlängerungskabel anschließen

Wann und wo zu verwenden: Führen Sie die folgenden Schritte aus, um das Zubehör-Verlängerungskabel anzuschließen.

Vorgang:

1. Stecken Sie das Zubehör-Verlängerungskabel in die D-Sub-Buchse des erweiterten Bedienteils für die Remote-Montage.
2. Ziehen Sie die Schrauben am D-Sub-Verbinder an, um das Zubehör-Verlängerungskabel sicher zu verbinden.
3. Das Mobilmikrofonanschluss/USB-Anschluss-Modul kann auf unterschiedlichsten Oberflächen montiert werden. Ziehen Sie die Schrauben an beiden Seiten des Moduls fest, um das Modul sicher anzubringen.



Hinweis: Weitere Informationen über die Pin-Belegung der Anschlüsse des Zubehör-Verlängerungskabels und des Mobilmikrofonanschluss/USB-Anschluss-Moduls finden Sie im Abschnitt „Erweitertes Bedienteil zur Remote-Montage/erweiterte Bedienteil zur Motorradmontage zu Zubehöranschluss (Zubehör-Verlängerungskabel)“.

MTM800 FuG ET Remote-Installation

Das MTM800 FuG ET kann mit einer der folgenden fünf Möglichkeiten konfiguriert werden:

- Installation der abgesetzten Montage mit Ethernet-Bedienteil (eCH) PMWN4024_
- Installation der abgesetzten Montage mit Ethernet-Bedienteil in Telefonausführung (TSCH) PMWN4025_
- Dual-Bedienteil mit zwei eCH
- Dual-Bedienteil mit zwei TSCH
- Dual-Bedienteil, gemischt mit eCH und TSCH

Tabelle 46: MTM800 FuG ET Konfigurationen - Grafische Darstellung

Zahl	Beschreibung
1	MTM800 FuG ET Transceiver
2	PMLN7009_ – Ethernet-Erweiterungsmodul
3	PMWN4025_ – Bedienteil in Telefonausführung (TSCH), lateinisch
4	PMWN4024_ – Ethernet-Bedienteil (eCH), lateinisch
5	91012044001 – Ferritklemmen



Wichtig: Alle Ethernet-Kabel, die in den folgenden Abbildung gezeigt werden, brauchen drei Ferritklemmen, Teilenummer 91012044001, jeweils mit zwei Wicklungen Draht. Die erste Ferritklemme muss manuell installiert werden, ca. 60 cm vom Bedienteil entfernt. Zwischen den folgenden zwei Ferritklemmen muss ein Abstand von mindestens 3 cm sein. Bei Einzelinstallation eines Bedienteils muss das Bedienteil an Port 1 des Ethernet-Erweiterungsmoduls angeschlossen werden.

Abbildung 12: Installation der abgesetzten Montage mit Ethernet-Bedienteil (eCH) PMWN4024_

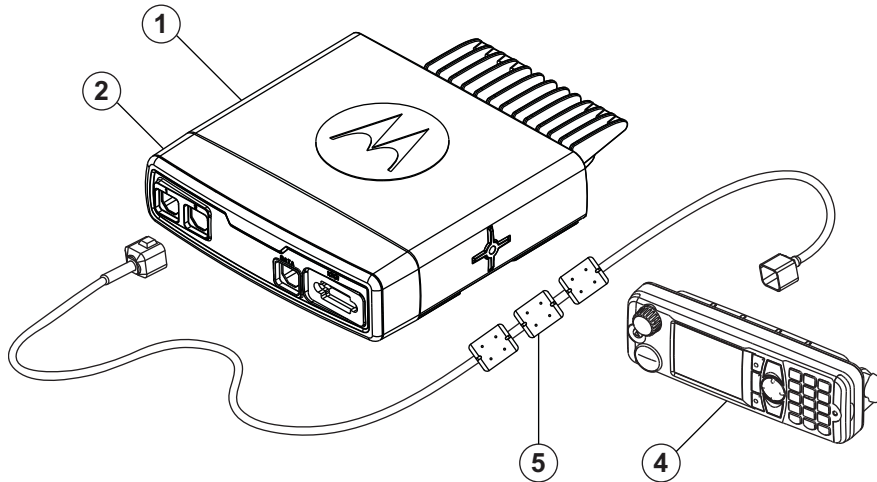


Abbildung 13: Installation der abgesetzten Montage mit Ethernet-Bedienteil in Telefonausführung (TSCH) PMWN4025_

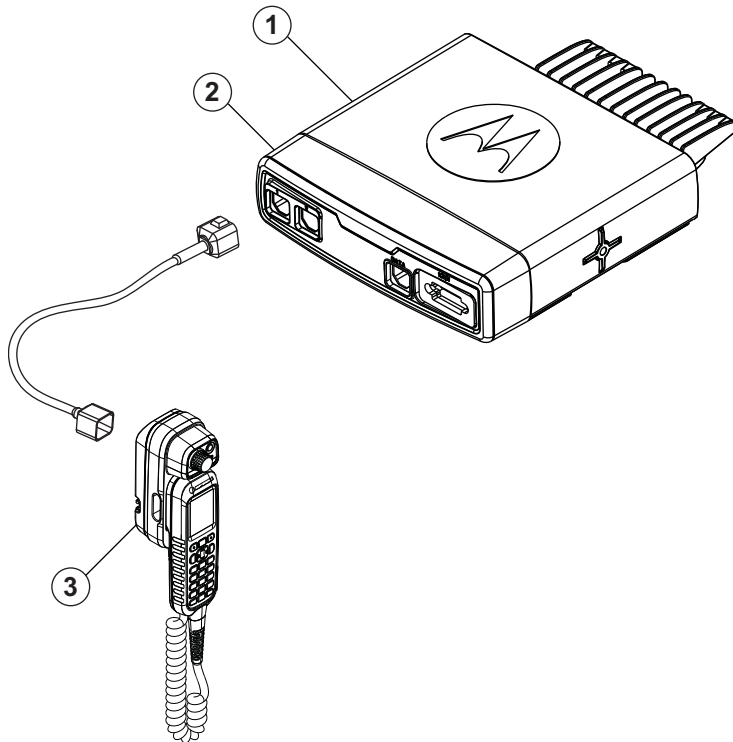


Abbildung 14: Dual-Bedienteil mit zwei eCH

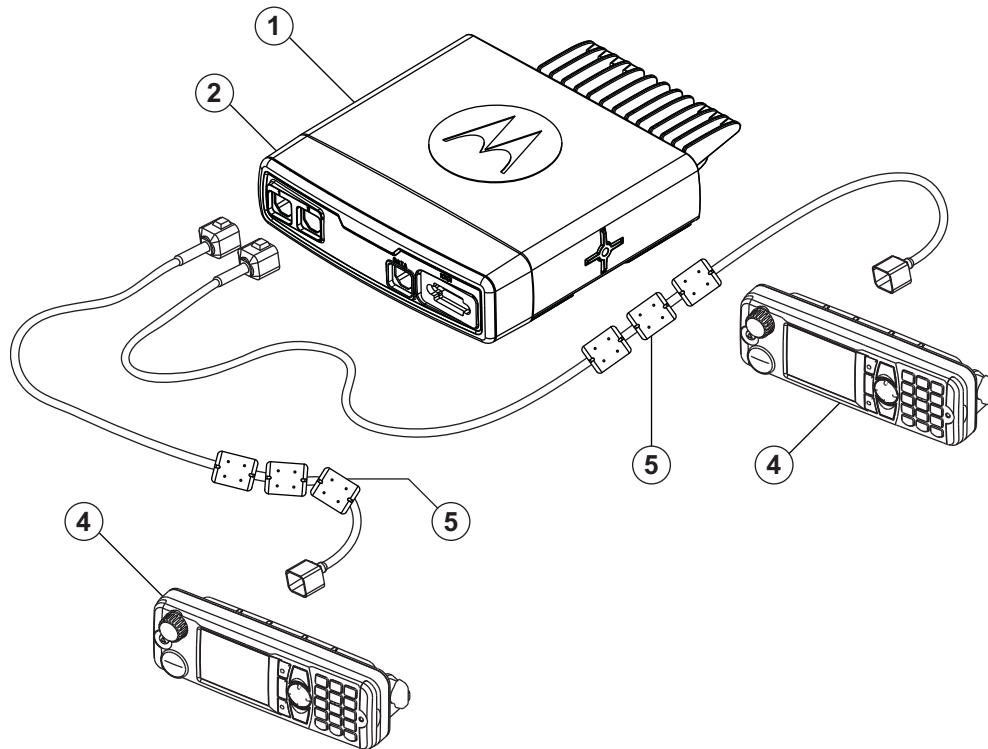


Abbildung 15: Dual-Bedienteil mit zwei TSCH

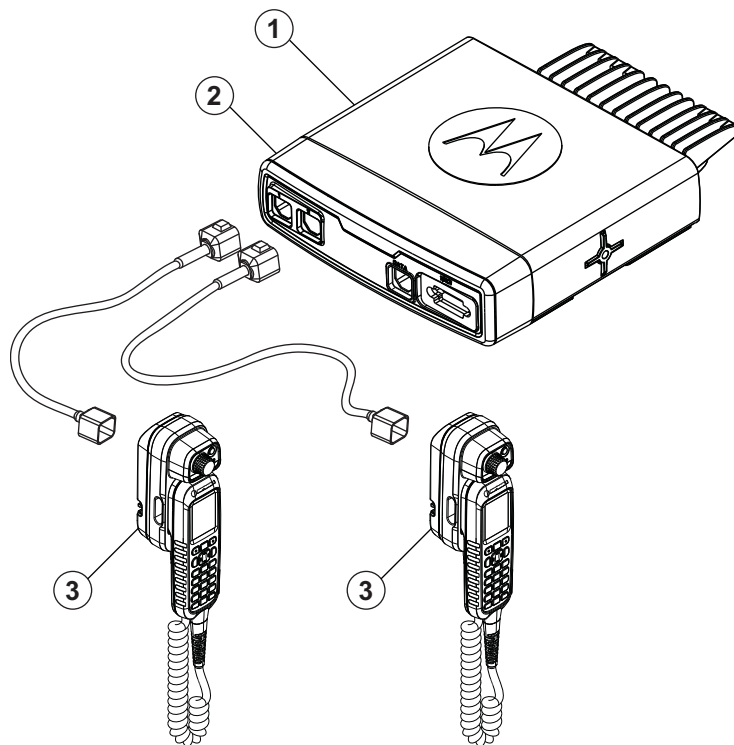
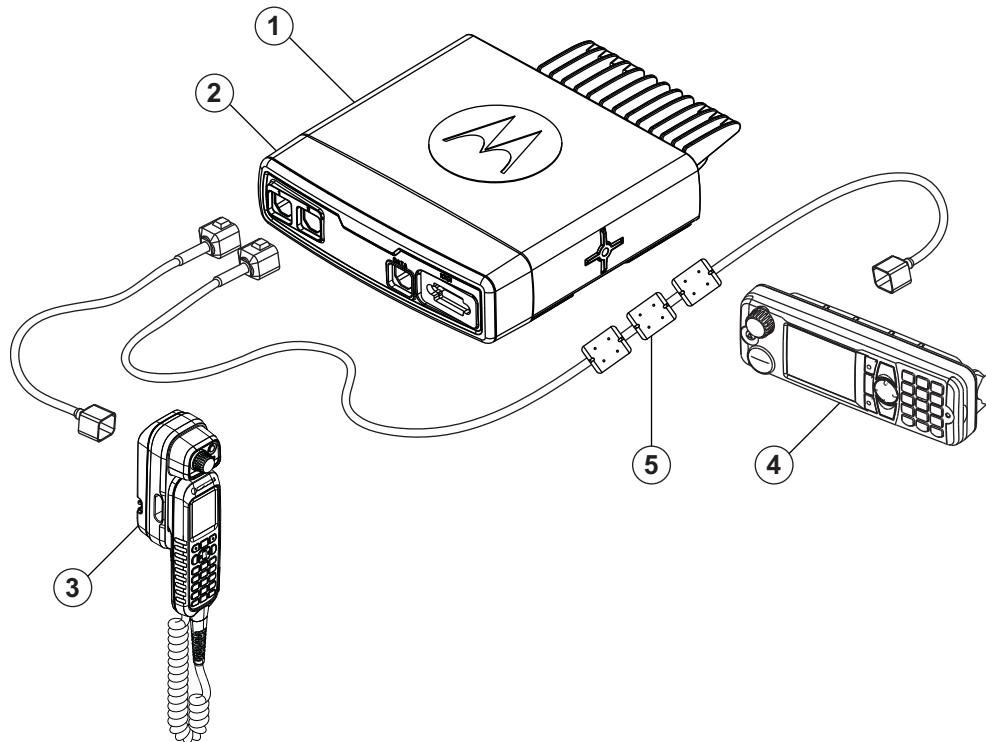


Abbildung 16: Dual-Bedienteil, gemischt mit eCH und TSCH

Wichtig: Während Sie bei einem Bedienteil eine Nachricht schreiben, werden Tastenbetätigungen beim anderen Bedienteil ignoriert (außer bei Notruf). Es ist auch möglich, das Funkgerät mit dem Betriebsschalter des inaktiven Bedienteils auszuschalten.

Ethernet-Kabel



Warnung: Ethernet-Erweiterungsmodule sind nur kompatibel mit Ethernet-Remote-Bedienteilen. Ein Ethernet-Bedienteil darf nicht mit Nicht-Ethernet-Bedienteilen kombiniert werden. Zum Anschließen des Ethernet-Erweiterungsmoduls am TSCH und eCH ist auch darauf zu achten, dass die richtigen Ethernet-Kabel verwendet werden. Falls der Anschluss nicht ordnungsgemäß erfolgt, kann der Transceiver beschädigt werden.

Tabelle 47: Ethernet-Kabel

Spalte	Artikelnummer
Tetra Mobile Ethernet-Kabel, 3 m	PMKN4141_
Tetra Mobile Ethernet-Kabel, 5 m	PMKN4140_
Tetra Mobile Ethernet-Kabel, 7 m	PMKN4139_
Tetra Mobile Ethernet-Kabel, 10 m	PMKN4138_
Tetra Mobile Ethernet-Kabel, 12 m	PMKN4136_
Tetra Mobile Ethernet-Kabel, 15 m	PMKN4146_
Tetra Mobile Ethernet-Kabel, 40 m	PMKN4135_

Abbildung 17: Ethernet-Kabel (PMKN4141_, PMKN4140A_, PMKN4139_, PMKN4138_, PMKN4136_, PMKN4146_)

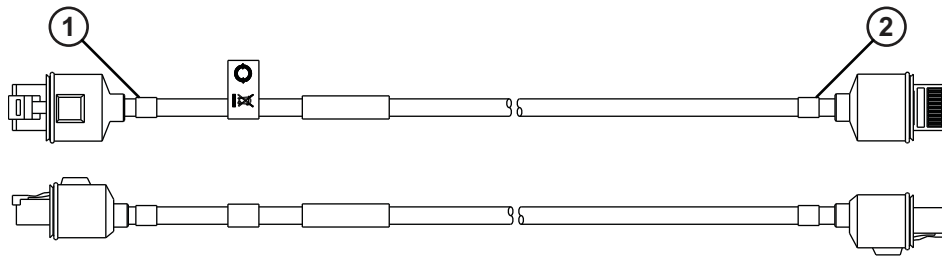
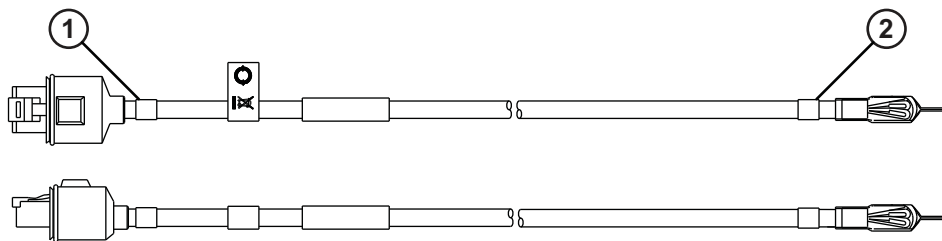


Abbildung 18: Ethernet-Kabel PMKN4135_



Hinweis: Bei PMKN4135_ sollte das freiliegende Kabelende für „CH“ mit dem mitgelieferten RJ50-Stecker terminiert werden, dessen Pin-Belegung dem „Ethernet-Kabel, Pin-Diagramm“ entspricht. Verwenden Sie eine 10P10C Crimpzange, um den RJ50-Stecker ordnungsgemäß auf das freiliegende Ende des Kabels zu crimpen, nachdem Sie das Kabel vom Transceiver zum Bedienteil verlegt haben.

Zahl	Beschreibung
1	EEH-Kennzeichnung
2	CH-Kennzeichnung

Hinweis: Erfordert drei (3) Ferritklemmen PN 91012044001. Alle Ethernet-Kabel müssen manuell installiert werden. Klemmen werden am CH-Ende installiert, indem sie jeweils 2-mal mit Draht umwickelt werden.

Warnung: Die Kennzeichnungen „EEH“ und „CH“ dienen zur Orientierung, um das ordnungsgemäße Anschließen der Ethernet-Kabel sicherzustellen.

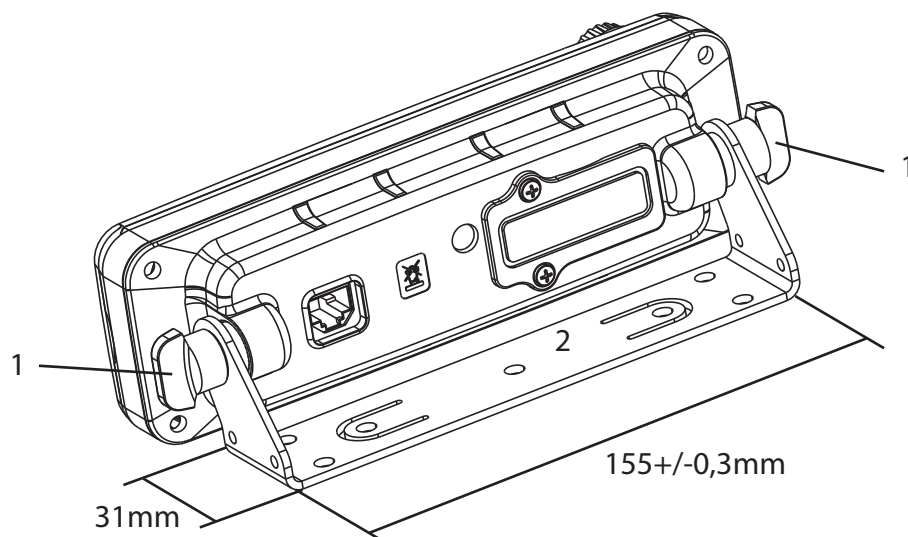
Ethernet-Bedienteil zur Remote-Montage (eCH) in die Halterung montieren

Wann und wo zu verwenden: Führen Sie die folgenden Schritte aus, um das erweiterte Bedienteil zur Remote-Montage auf der Halterung für die Remote-Montage anzubringen.

Vorgang:

1. Schieben Sie das erweiterte Bedienteil für die Remote-Montage auf die Halterung, bis es einrastet.
2. Ziehen Sie die Schrauben an beiden Seiten der Halterung an. Neigen Sie das Bedienteil nach ein paar Umdrehungen der Schrauben so weit, dass die Anzeige gut sichtbar ist. Ziehen Sie die Schrauben danach fest.

Abbildung 19: Installation des erweiterten Bedienteils zur Remote-Montage mit der Halterung für die Remote-Montage



1 und 2 – Halterungssatz für Remote-Montage (PMLN4912_)

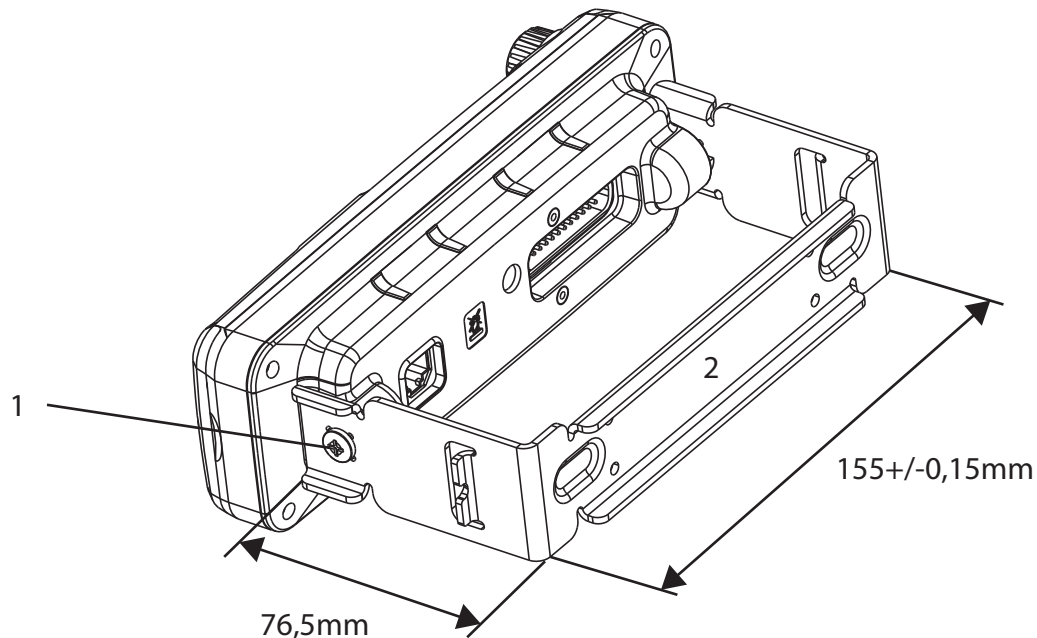
Ethernet-Bedienteil zur Remote-Montage (eCH) in eine DIN-Halterung montieren

Wann und wo zu verwenden: Führen Sie die folgenden Schritte aus, um das erweiterte Bedienteil zur Remote-Montage auf einer DIN-Halterung anzubringen.

Vorgang:

1. Schieben Sie das erweiterte Bedienteil für die Remote-Montage auf die DIN-Halterung, bis es einrastet.
2. Ziehen Sie die Schrauben an beiden Seiten der DIN-Halterung an.

Abbildung 20: Installation des erweiterten Bedienteils zur Remote-Montage auf einer DIN-Halterung



1 und 2 – DIN-Halterungssatz (PMLN5093_)

Ethernet-Bedienteil zur Remote-Montage (eCh) in einen DIN-Einbaurahmen montieren

Wann und wo zu verwenden: Führen Sie die folgenden Schritte aus, um das erweiterte Bedienteil zur Remote-Montage mit der DIN-Halterung in den DIN-Rahmen einzuführen.

Vorgang:

1. Schieben Sie den Montagerahmen auf die DIN-Halterung, und fixieren Sie ihn, indem Sie die entsprechenden Befestigungslaschen zurückbiegen.
2. Verwenden Sie gegebenenfalls alle sechs Laschen, um die Teile sicher miteinander zu verbinden.



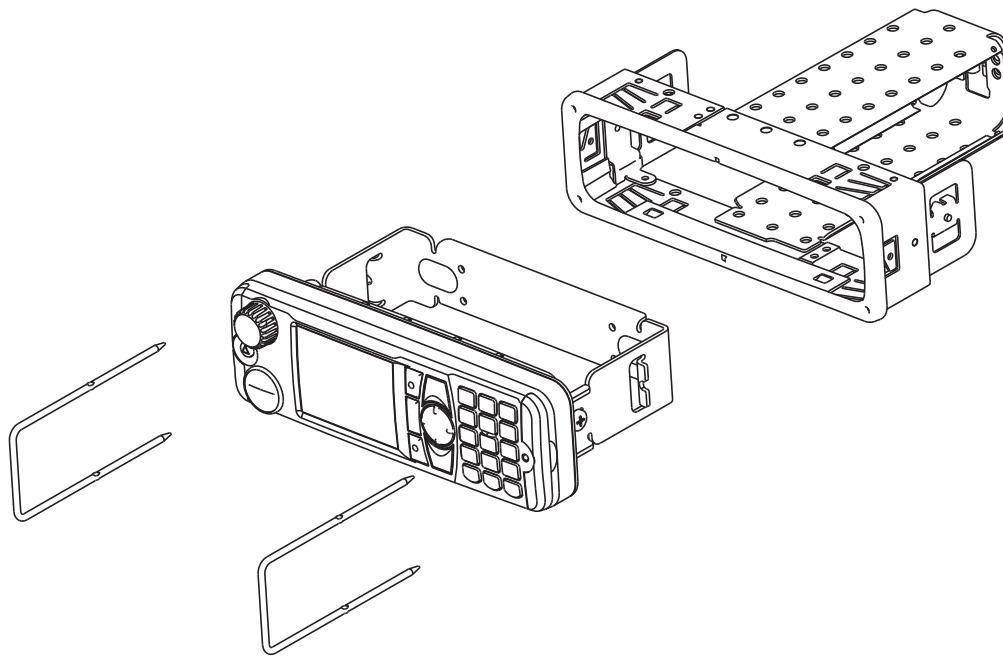
Hinweis:

Die Laschen können leicht zurückgebogen werden, indem Sie einen großen Schlitzschraubendreher im Schlitz hinter der Lasche ansetzen und drehen.

Um die Installation sicherer zu machen, sollten Ober- und Rückseite des Rahmens auch mit Schrauben befestigt werden.

Als Hilfsmittel kann das Demontagewerkzeug benutzt werden. Es kann zur Montage und Demontage eingesetzt werden.

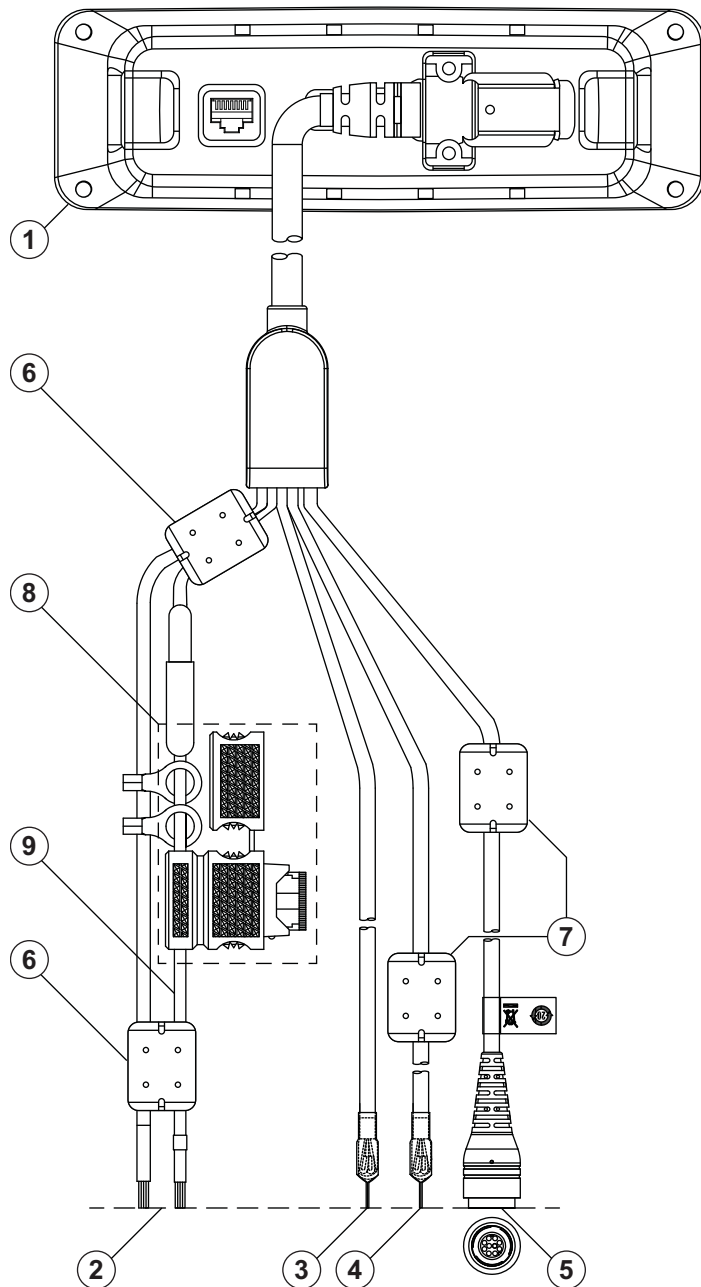
Abbildung 21: Befestigung des erweiterten Bedienteils zur Remote-Montage mit der DIN-Halterung im DIN-Rahmen



Zusätzliches Zubehör an Ethernet-Bedienteil zur Remote-Montage (eCh) und Bedienteil in Telefonausführung (TSCH) anbringen

Mit dem RECH Y-Kabel zur Zubehörerweiterung (PMKN4133_) kann zusätzliches Zubehör angeschlossen werden.

Abbildung 22: Das RECH Y-Kabel zur Zubehörweiterung



Zahl	Spalte
1	Ethernet-Remote-Bedienteil mit angeschlossenem Kabel (über den D-25-Anschluss)
2	Erdleitung und externes Stromversorgungskabel, Eingangsleistung 12 V/24 V: 2 A – Diese Verbindungen entsprechen P4 und P5, wie in <i>Abbildung 68: RECH Y-Kabel Pin-Diagramm auf Seite 108</i> aufgeführt, das das Pin-Diagramm für das PMKN4133-Kabel enthält. P4 ist der positive 12/24 V-Gleichstromeingang und P5 dient als Erdung. Dies ist die Spannungsversorgung für den Audioleistungsverstärker. Sie ist erforderlich, wenn ein Lautsprecher an den RECH angeschlossen wird. Dies ist die einzige Spannungsversorgung, bei der ein 12 oder 24 V-Betrieb möglich ist. Alle anderen können nur auf 12 V betrieben werden.

Tabelle wird fortgesetzt...

Zahl	Spalte
3	Lautsprecherkabel – Diese Anschlüsse entsprechen P6, wie in <i>Abbildung 68: RECH Y-Kabel Pin-Diagramm auf Seite 108</i> aufgeführt, und entsprechen dem Lautsprecherausgang des RECH. Der Audioverstärker, der diesen Ausgang versorgt, erfordert eine unabhängige Gleichstromversorgung, siehe Nr. 2 oben. Die Verwendung des Anschlusssatzes PMLN6487_ ermöglicht eine Plug-and-Play-Installation der angeschlossenen Lautsprecher, z. B. RSN4002_.
4	Unterminierte Kabel. Wenn während des Installationsvorgangs verwendet, nicht verwendete Kabel in Schrumpfschlauch wickeln, um Kurzschlüsse zu verhindern. Dieser Anschlüsse entsprechen P3, wie unter <i>Abbildung 68: RECH Y-Kabel Pin-Diagramm auf Seite 108</i> näher beschrieben. Diese Anschlüsse bieten mehrere Funktionen, inklusive Freisprech-Mikrofon (HF1 und HF2). Diese beiden Eingänge werden einzeln geprüft und verfügen über eine herkömmliche Grund-Erdung, PTT1 und PTT2, Netztaste, Rücklautsprecher und verfügbare GPIO-Leitungen. Die Verwendung des Impres-Visiermikrofons RMN5054_ erfordert ebenfalls einen Eindraht-Bus-Anschluss für dieses Kabel.
5	Hinterer GCAI-Anschluss. Diese Anschlüsse entsprechen P2 wie unter <i>Abbildung 68: RECH Y-Kabel Pin-Diagramm auf Seite 108</i> aufgeführt. Dies ist der hintere Anschluss für 10-poliges GCAI-Zubehör, mit dem kompatibles Zubehör wie das RMN5107_ Handmikrofon an den hinteren Anschluss des Bedienkopfs angeschlossen werden kann.
6	Ferritklemme, PN 91012044002. Manuelle Installation ist erforderlich. Klemmen werden installiert, indem sie 2-mal mit Draht umwickelt werden.
7	Ferritklemme, PN 91012044003. Manuelle Installation ist erforderlich. Klemmen werden installiert, indem sie 2-mal mit Draht umwickelt werden.
8	Sicherung 2 A, PN 65012023001
9	Etikett für Nennleistung des Y-Kabels

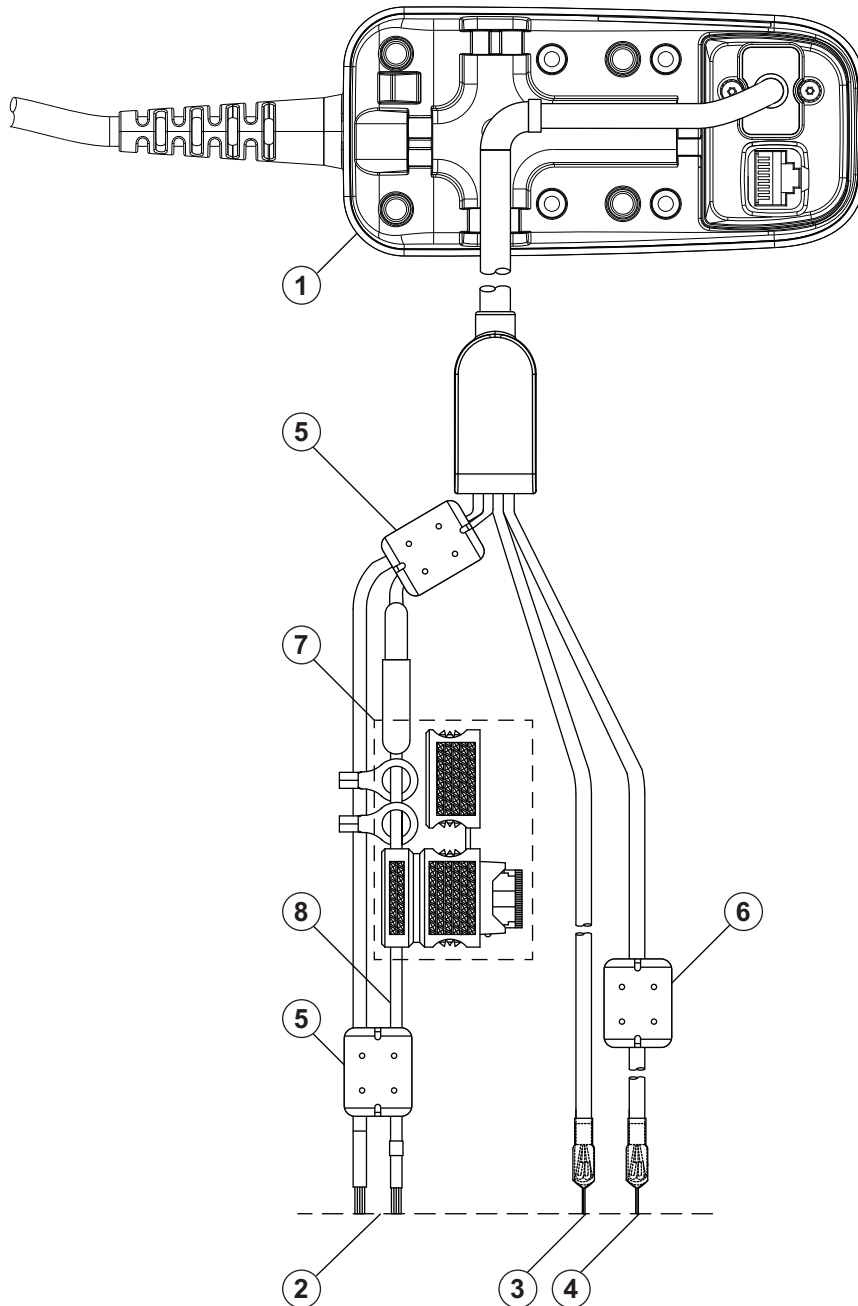
**Hinweis:**

Siehe Anhang für Informationen über Verdrahtung und Pin-Anschlussbelegung.

Manuelle Installation erforderlich. Klemmen werden mit zwei Windungen Draht befestigt.

Mit dem TSCH Y-Kabel zur Zubehörerweiterung (PMKN4134_) kann zusätzliches Zubehör angeschlossen werden.

Abbildung 23: Das TSCH Y-Kabel zur Zubehörerweiterung



Zahl	Spalte
1	Bedienteil in Telefonausführung
2	Erdleitung und externes Stromversorgungskabel, Eingangsleistung 12 V/24 V: 2 A. Diese Anschlüsse entsprechen P3 und P4 wie unter Abbildung 69: TSCH Y-Kabel Pin-Diagramm auf Seite 108 aufgeführt, das das Pin-Diagramm für PMKN4134_ enthält. P3 ist der positive 12/24 V-Gleichstromeingang und P4 dient als Erdung. Dies ist die Spannungsversorgung für den Audioleistungsverstärker. Sie ist erforderlich, wenn ein Lautsprecher an den TSCH angeschlossen wird. Hinweis: Dies ist die einzige Spannungsversorgung, bei der ein 12 oder 24 V-Betrieb möglich ist. Alle anderen können nur mit 12 V betrieben werden.

Tabelle wird fortgesetzt...

Zahl	Spalte
3	Lautsprecherkabel – Diese Anschlüsse entsprechen P5, wie im <i>Abbildung 69: TSCH Y-Kabel Pin-Diagramm auf Seite 108</i> aufgeführt, und entsprechen dem Lautsprecherausgang des TSCH. Der Audioverstärker, der diesen Ausgang versorgt, erfordert eine unabhängige Gleichstromversorgung, siehe Nr. 2 oben. Die Verwendung des Anschlusssatzes PMLN6487_ ermöglicht eine Plug-and-Play-Installation der angeschlossenen Lautsprecher, z. B. RSN4002_.
4	Unterminierte Kabel. Wenn während des Installationsvorgangs verwendet, nicht verwendete Kabel in Schrumpfschlauch wickeln, um Kurzschlüsse zu verhindern. Dieser Anschlüsse entsprechen P2, wie unter <i>Abbildung 69: TSCH Y-Kabel Pin-Diagramm auf Seite 108</i> näher beschrieben. Diese Anschlüsse bieten mehrere Funktionen wie die Freisprech-Notrufmikrofone PTT1 und PTT2. Die Verwendung des Impres-Visiermikrofons RMN5054_ erfordert ebenfalls einen Eindraht-Bus-Anschluss für dieses Kabel.
5	Ferritklemme, PN 91012044002. Manuelle Installation ist erforderlich. Klemmen werden installiert, indem sie 2-mal mit Draht umwickelt werden.
6	Ferritklemme, PN 91012044003. Manuelle Installation ist erforderlich. Klemmen werden installiert, indem sie 2-mal mit Draht umwickelt werden. Um unterminierte Kabel leichter installieren zu können, sollte die äußere Isolierhülle entfernt werden.
7	Sicherung 2 A, PN 65012023001
8	Etikett für Nennleistung des Y-Kabels



Hinweis: Die Schraube des TSCH Y-Kabels nicht überdrehen. Empfohlenes Anzugsdrehmoment der Schraube ist 2,0+/-0,1 lb-in (0,2258+/-0,0113 Nm).

Bedienteil in Telefonausführung (TSCH)

Der Handapparat in Ethernetausführung kann sowohl horizontal als auch vertikal installiert werden. Denken Sie bei der Installation des Bedienteils in Telefonausführung an den großen Betrachtungswinkel des Farb-Displays, und achten Sie auf die optimale Richtung, um das Mobilteil aus der Ladestation zu nehmen. TSCH-Mobilteil und Ladestation Teilenummer: PMWN4025_.

Abbildung 24: Bedienteil in Telefonausführung (TSCH)

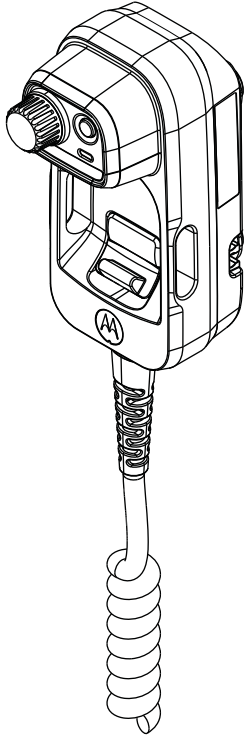
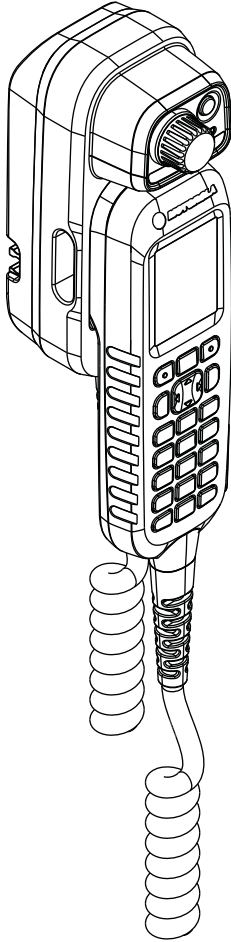
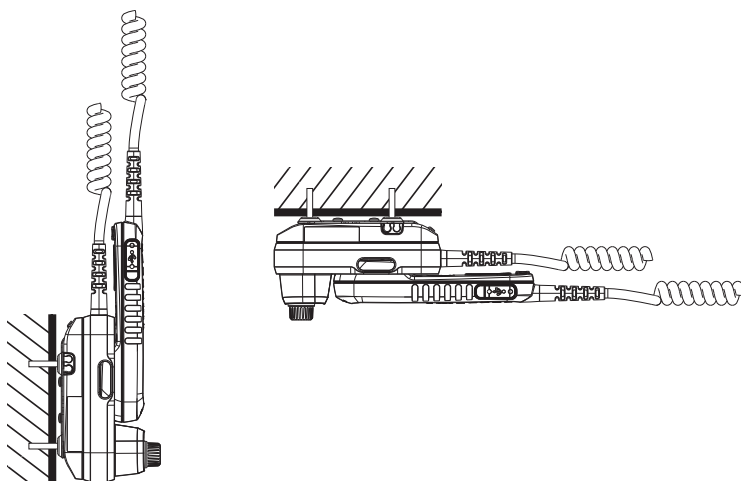


Abbildung 25: TSCH-Mobilteil und Ladestation



Wichtig: Das TSCH nicht auf folgende Weise installieren.

Abbildung 26: Nicht unterstützte TSCH-Installation

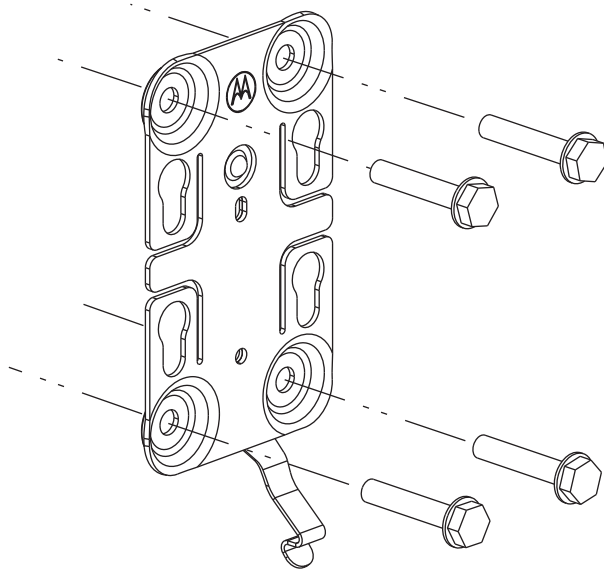


TSCH-Auflage auf Montageblech montieren

Vorgang:

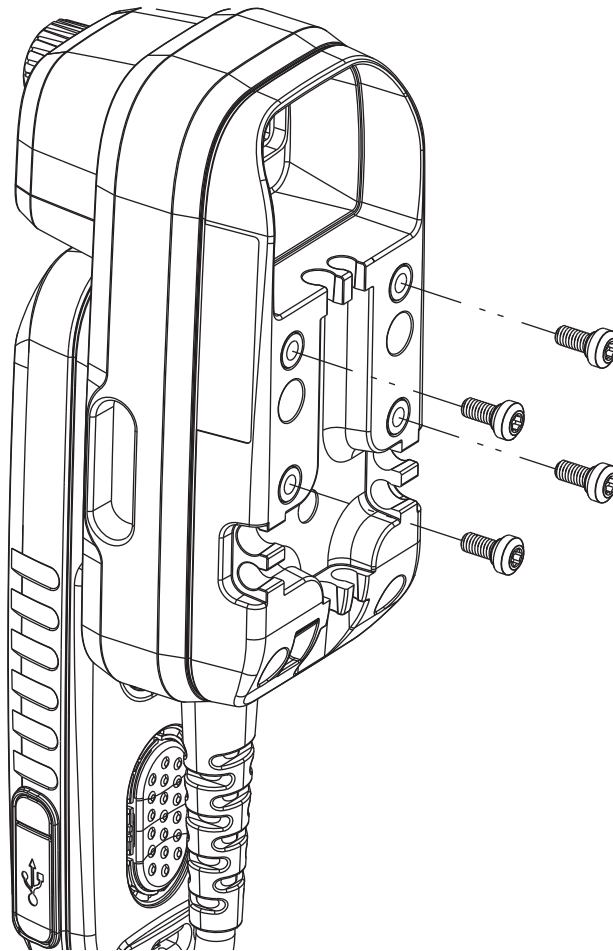
1. Setzen Sie den Halter an die gewünschte Stelle, und ziehen Sie die vier durch die Schraubenöffnungen ragenden Schrauben fest (Motorola-Teilenummer: 0312002B14) – siehe folgende Abbildung.

Abbildung 27: Montageblech



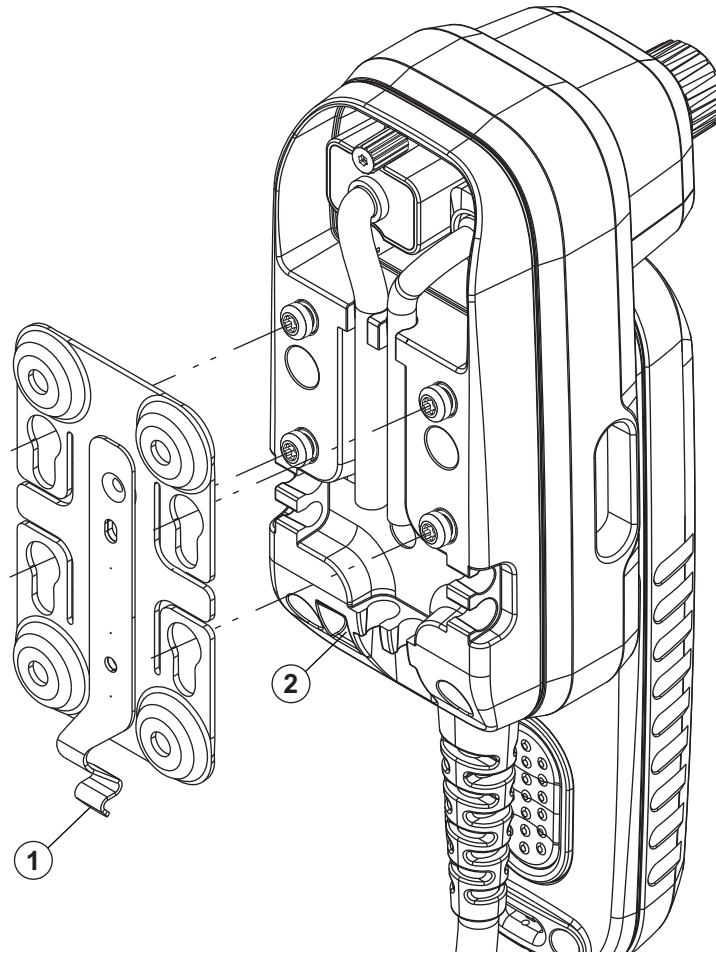
2. Ziehen Sie auf vier Bohrungen auf der TSCH-Auflage die vier Schrauben (Motorola Teilenummer: 03012069001) fest – siehe folgende Abbildung. Anzugsdrehmoment der Schrauben: 5 lbs (2,27 Nm).

Abbildung 28: Rückansicht der TSCH-Auflage



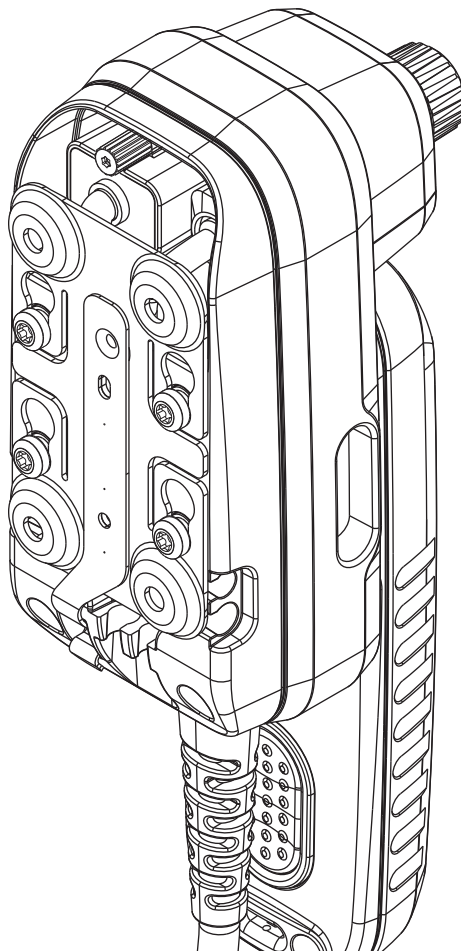
3. Setzen Sie die TSCH-Auflage auf das Montageblech, indem Sie die vier Schrauben an den Aussparungen im Halter ausrichten.

Abbildung 29: Rückansicht der TSCH-Auflage mit Montageblech



Zahl	Beschreibung
1	Halter-Haken
2	Sperrschlitz der TSCH-Auflage

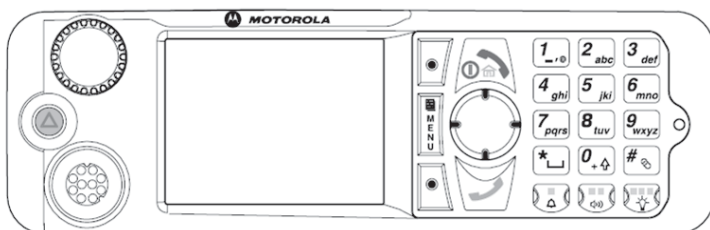
- Ziehen Sie die TSCH-Auflage nach unten, bis der Haken der Halterung im Sperrschlitz der TSCH-Auflage vollständig einrastet.

Abbildung 30: Rückansicht der TSCH-Auflage mit befestigtem Montageblech

(Erweitertes) Bedienteil auf einem Motorrad montieren

Motorola stellt standardmäßige Motorrad-Einbausätze für eine Reihe von Anwendungen zur Verfügung, darunter ein 4-Tasten-Lenker-Bedienteil mit im Helm integriertem Headset und versteckten Installationen.

Die Beschriftung der Tastatur des Bedienteils kann je nach kunden-/länderspezifischen Anforderungen variieren.

Abbildung 31: Erweitertes Bedienteil zur Motorradmontage – Vorderseite

(Erweitertes) Bedienteil auf einem Motorrad montieren

Die Planung ist der Schlüssel für einen schnellen und einfachen Einbau des Geräts. Bevor eine Bohrung vorgenommen oder ein Kabel verlegt wird, müssen Sie die entsprechende Position prüfen und festlegen, wie und wo Sie Antenne, Gerät und Zubehör installieren wollen. Planen Sie die Draht- und Kabelverbindungen so, dass ein maximaler Schutz vor dem Einklemmen, Zerdrücken und dem Überhitzen der Elemente besteht.



Hinweis: Die Planung der Installation sollte nur von Personen durchgeführt werden, die sich in der Materie auskennen, damit sichergestellt wird, dass die Installation die behördlichen Anforderungen erfüllt, darunter die EMC-Bestimmungen (EMC – Electromagnetic Compatibility).

Wann und wo zu verwenden: Bei der Installationsplanung sollten wenigstens die folgenden Punkte Berücksichtigung finden:

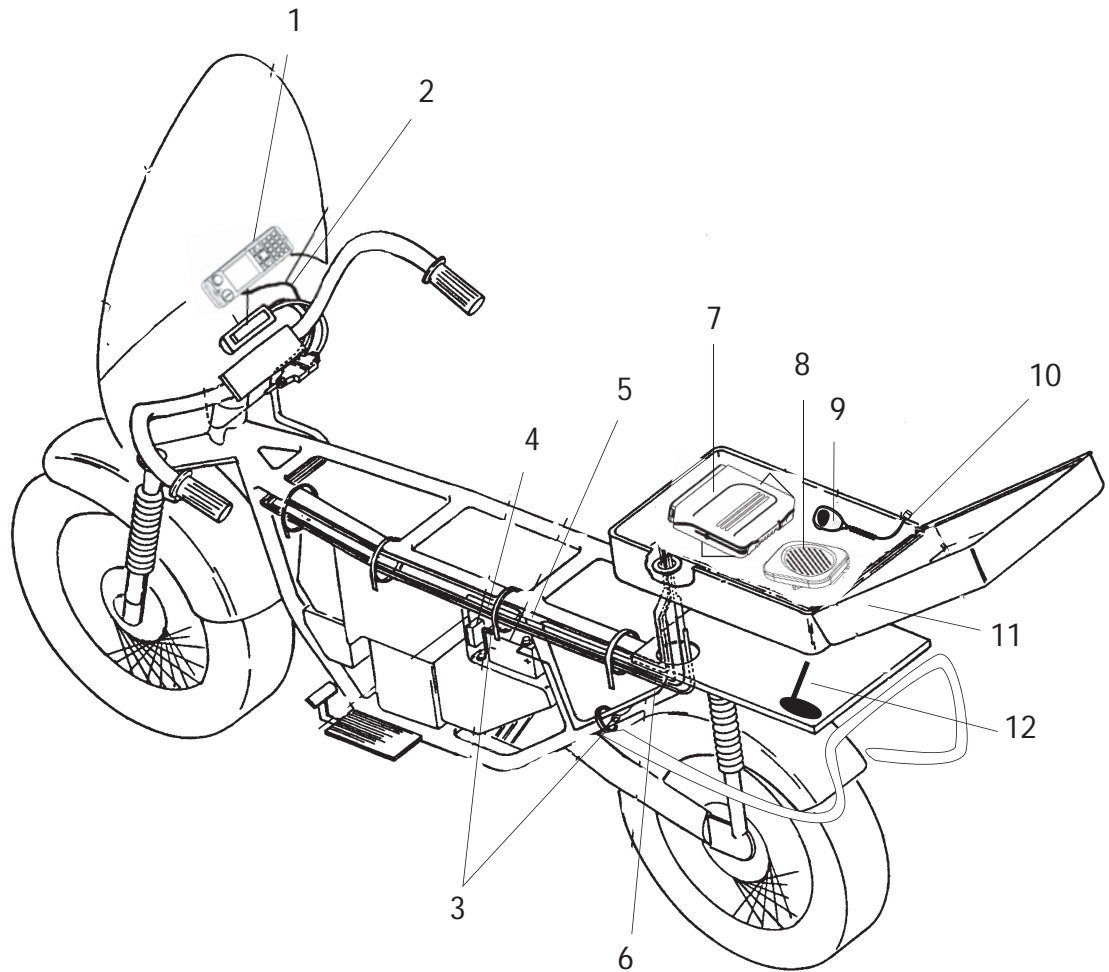
Vorgang:

1. Der empfohlene Installationsort für den Transceiver ist die Box hinten auf dem Motorrad.
2. Montieren Sie das erweiterte Bedienteil zur Motorradmontage horizontal an einer Stelle, an der es für den Fahrer gut sichtbar und die Bedienelemente leicht zu bedienen sind.
3. Stellen Sie sicher, dass sich das erweiterte Bedienteil zur Motorradmontage nahe genug am Bediener befindet, damit die Bedienelemente gut zugänglich sind.
4. Es wird empfohlen, das erweiterte Bedienteil zur Motorradmontage direkt am Rahmen oder Lenker zu montieren.
5. Stellen Sie sicher, dass die in der Motorradbox montierten Komponenten vor Schmutz und Feuchtigkeit geschützt sind.
6. Stellen Sie sicher, dass es genügend Freiraum um die Komponenten herum gibt, damit Luftstrom und Entlüftung sichergestellt sind.
7. Stellen Sie sicher, dass das zum Funkgerät führende Kabel eines am Lenker montierten erweiterten Bedienteils zur Motorradmontage lang genug ist, dass der Lenker ungehindert gedreht werden kann.
8. Stellen Sie sicher, dass das Antennenkabel über eine möglichst kurze Strecke verlegt ist, damit der Leistungsverlust minimiert wird.
9. Überprüfen Sie, ob die Tragfähigkeit der Montageflächen für das Gewicht der Komponenten ausreichend ist.



Hinweis: Wenn eine zusätzliche GPS-Antenne oder eine kombinierte TETRA/GPS-Antenne verwendet wird, enthält das Antennengehäuse den GPS-Empfänger. Achten Sie darauf, das Antennengehäuse nicht durch Metall oder andere funkwellenabsorbierende Materialien abzudecken.

Abbildung 32: Motorradmontage



Zahl	Beschreibung
1	Erweitertes Bedienteil zur Motorradmontage
2	Kabel von Transceiver-zu-Bedienteil (PMKN4030_)
3	Gehäuseerde (PMKN4029_)
4	Sicherungsblock
5	Akku
6	Stromversorgungskabel mit Sicherung (GKN6270_), 3 m, Sicherung 10 A
7	Transceiver
8	Lautsprecher
9	Handmikrofon
10	Zubehör-Verlängerungskabel (PMKN4029_)
11	Motorradbox

Tabelle wird fortgesetzt...

Zahl	Beschreibung
12	Antenne

10. Schieben Sie das erweiterte Bedienteil für die Motorradmontage auf die Halterung, bis es einrastet.
11. Ziehen Sie die Schrauben an beiden Seiten der Halterung an. Neigen Sie das Bedienteil zur Motorradmontage nach ein paar Drehungen der Schrauben so weit, dass die Anzeige gut sichtbar ist. Ziehen Sie die Schrauben danach fest.
12. Es gibt zwei Möglichkeiten, die Motorradhalterung zu montieren. Bei beiden Varianten ist der Bewegungsspielraum auf 77 Grad beschränkt – siehe die folgende Abbildung.

Abbildung 33: Aufwärtsbewegung

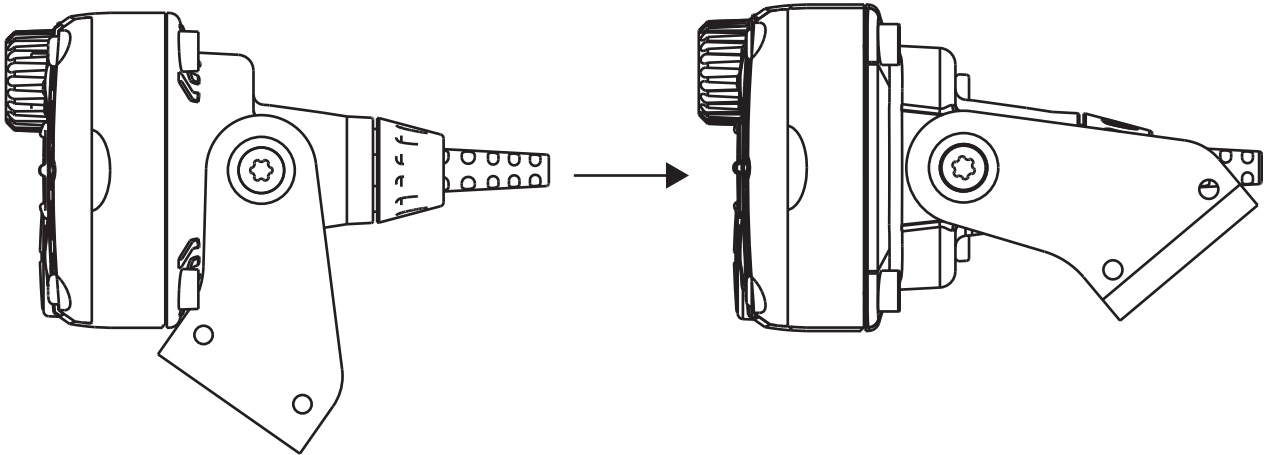
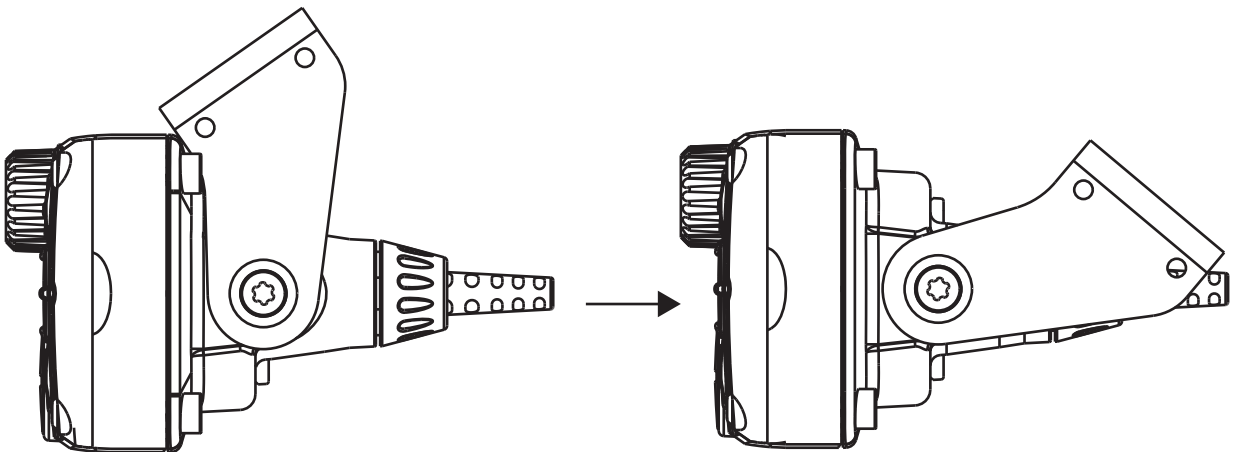


Abbildung 34: Abwärtsbewegung



MTM800FuG Mechanische Teile

Abbildung 35: Halterungssatz für das erweiterte Bedienteil, Motorradmontage

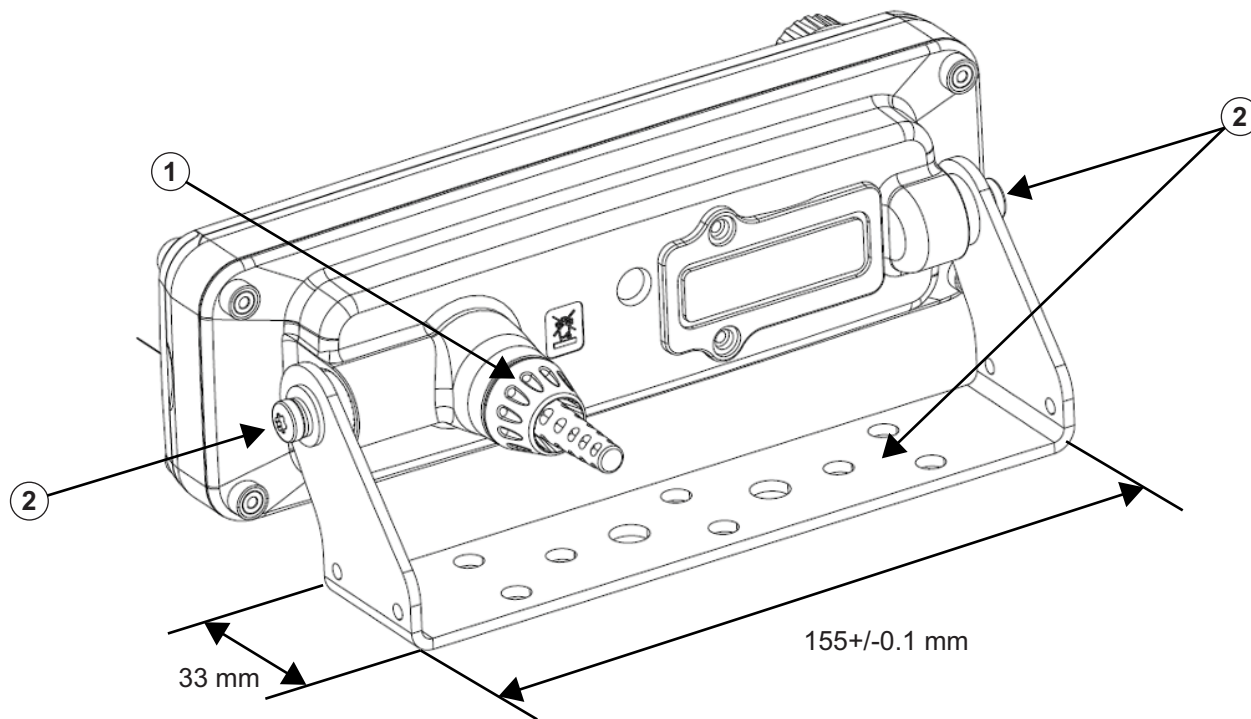


Tabelle 48: Halterungssatz für das erweiterte Bedienteil, Motorradmontage – Teileliste für die Installation

Spalte	Beschreibung	Artikelnummer
1	Motorradhalterung, TELCO-Kabel	PMKN4030_
2	Halterungssatz für Motorradmontage	PMLN5092_

TELCO-Kabel der Motorradhalterung montieren (PMKN4030_)

Wann und wo zu verwenden: Führen Sie die folgenden Schritte aus, um das TELCO-Kabel für die Motorradmontage zu installieren (PMKN4030_).

Vorgang:

1. Verbinden Sie den TELCO-Stecker mit der TELCO-Buchse am erweiterten Remote-Modul/erweiterten Modul für Datendienste, das mit dem Transceiver verbunden ist.
2. Verbinden Sie die andere Seite des TELCO-Verbinders mit der TELCO-Buchse am erweiterten Bedienteil zur Motorradmontage.

Zusätzliche Anschlussmöglichkeiten am erweiterten Bedienteil für die Motorradmontage

Weitere Informationen zur Herstellung von zusätzlicher Konnektivität mit dem Zubehör-Verlängerungskabel und dem Mobilmikrofonanschluss/USB-Anschluss-Modul finden Sie im Abschnitt: „Weitere Zubehörelemente mit einem Erweiterungskabel zum Remote-Bedienteil hinzufügen“ und „Zubehör-Erweiterungskabel anschließen“

Installation des erweiterten Datendienstmoduls

Erweitertes Modul für Datendienste ohne Bedienteil

Das erweiterte Modul für Datendienste kann ohne Bedienteil eingesetzt werden.

Diese Konfiguration erlaubt die Nutzung der Funkverbindung ohne das Bedienteil; das Funkmodul kann einfach über den Zündschalter aktiviert werden.

Paketdaten/SDS via AT-Befehle können gleichzeitig vom 9-poligen D-Sub-Anschluss (PEI) und vom Zubehör-Anschluss via USB-Kabel bezogen werden.

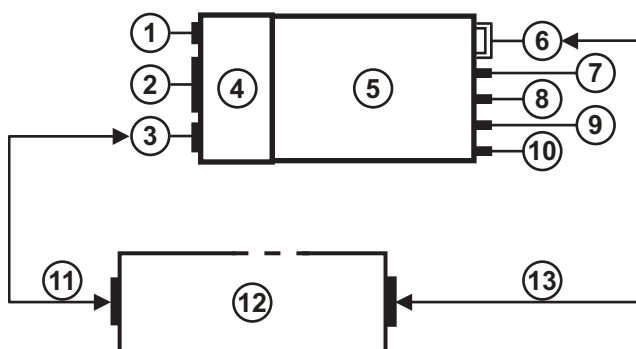
Die Remote-Sprechtaste (PTT) kann über den 26-poligen Anschluss auf der Rückseite verbunden werden. Es ist nur eine Gesprächsgruppe verfügbar, und zwar die erste Gesprächsgruppe in der CPS-Liste.

Datenfeld-Funkmodul

Diese Konfiguration ermöglicht die Steuerung des Funkmoduls (Transceiver Box) ohne NGCH über ein PEI (z. B. PC, Notebook, Konsole, usw.) mit AT-Befehlen (empfohlen) oder unter Verwendung des TNP1-Protokolls von einem Bedienterminal aus.

In dieser Konfiguration ersetzt das Bedienterminal das erweiterte Bedienteil. Das Datenterminal wird entweder per RS232-Kabel an die 9-polige Buchse des Funkgeräts mit erweitertem Modul für Datendienste oder an den 26-poligen Zubehöranschluss via USB-Kabel angeschlossen.

Abbildung 36: Beschreibung der Datenbox-Funkschnittstelle



Zahl	Beschreibung
1	TELCO-Anschluss (10-polig)
2	25-poliger D-Sub-Anschluss (Buchse)
3	9-poliger D-Sub-Anschluss (Buchse)
4	Erweitertes Modul für Datendienste
5	Transceiver-Terminalbox

Tabelle wird fortgesetzt...

Zahl	Beschreibung
6	Zubehöranschluss (26-polig)
7	SMA GPS-Anschluss
8	Netzanschluss
9	BNC-Antennenbuchse
10	BNC-HF-Anschluss
11	DB9-DB9 RS232-Kabel
12	Datenterminal (kann über die Vorder- oder Rückseite der Transceiver-Terminalbox angeschlossen werden)
13	USB-Kabel

Erweitertes Modul für Datendienste mit einem Bedienteil von einem Drittanbieter

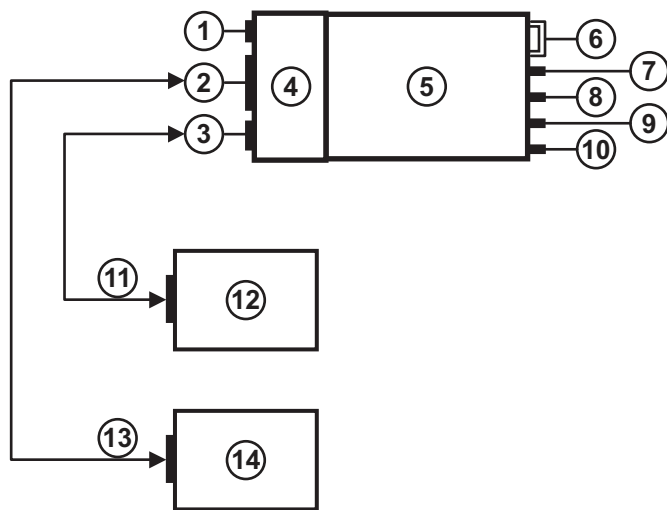
In dieser Konfiguration unterstützt das Funkmodul zwei Bedien- und Datenterminals gleichzeitig. Beide Geräte unterstützen AT-Befehle für Steuerung und Daten. (Siehe *AT-Befehle in Bedienungsanleitung für Programmierer*).

Das Peripheral Equipment Interface (PEI) dient zum Austausch von Daten zwischen dem mobilen und dem externen Terminal. Die PEI-Schnittstelle ist sowohl auf RS232- als auch auf USB-Ebene verfügbar, je nach Konfiguration des Funkmoduls. Bei der Montage auf dem Armaturenbrett/dem Schreibtisch oder bei Remote-Installation ohne Erweiterungsmodul bietet das Funkgerät das PEI entweder über einen 5-poligen RS232-Anschluss oder per USB über einen 26-poligen Zubehöranschluss. Wenn die Erweiterung an das Funkgerät angeschlossen ist, unterstützt es das PEI über den 9-poligen D-Sub-Anschluss (RS232) am Erweiterungsmodul und den 26-Pin-Anschluss auf der Rückseite (USB).

Das erweiterte Modul für Datendienste kann mit einem „virtuellen Bedienteil“ auf einem PC oder mit dem Bedienteil eines Drittanbieters verwendet werden.

Diese Konfiguration ermöglicht die Steuerung des Funkgeräts (Transceiver Box) mit einem Bedienterminal (Beispiel: PC, Notebook oder Konsole). In dieser Konfiguration ersetzt das Bedienterminal das erweiterte Bedienteil.

Abbildung 37: Konfigurationsbeispiel mit Anschluss für eine Fernbedienung und einen externen SIM-Kartenleser

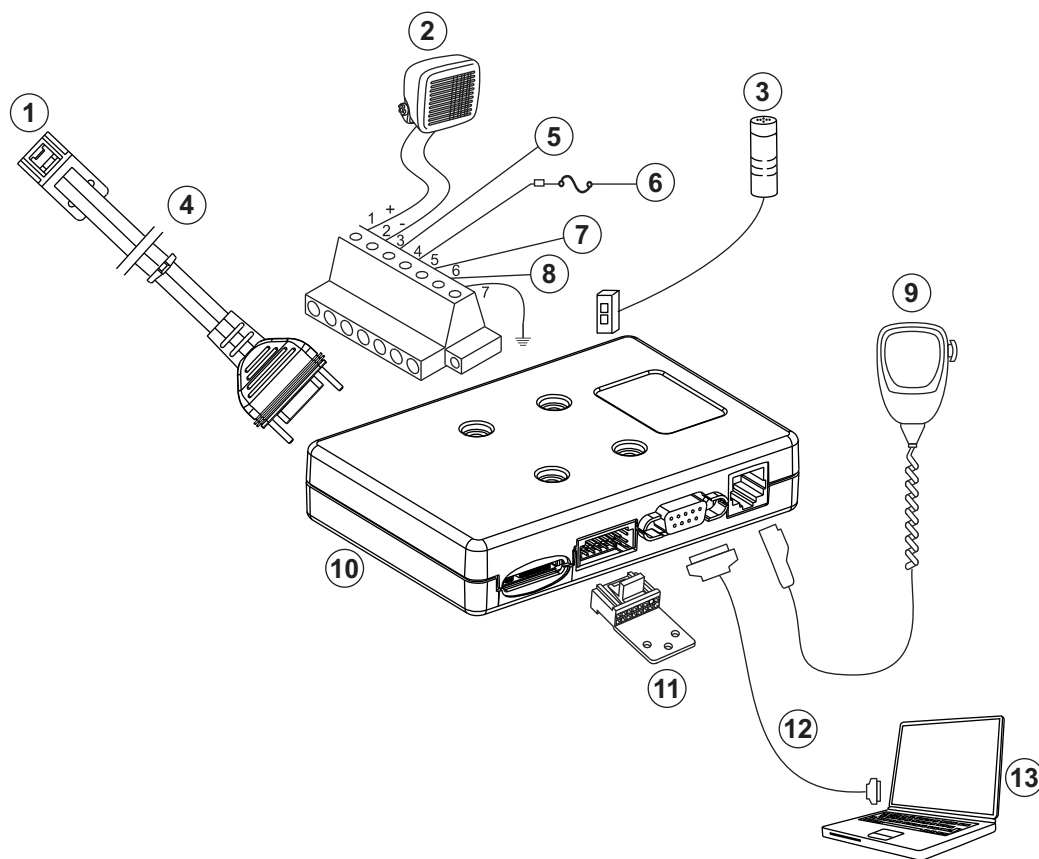


Zahl	Beschreibung
1	TELCO-Anschluss (10-polig)
2	Datenanschluss vorne
3	9-poliger D-Sub-Anschluss (Buchse), 8-polige RS232 PEI-Schnittstelle oder externe SIM-Karte (je nach CPS-Konfiguration)
4	Erweitertes Modul für Datendienste
5	Transceiver-Terminalbox
6	Zubehöranschluss (26-polig)
7	SMA GPS-Anschluss
8	Netzanschluss
9	BNC-Antennenbuchse
10	BNC-HF-Anschluss
11	8-poliges RS232-Kabel
12	Anschluss für Fernbedienung über RS232
13	Externes SIM-Lesekabel
14	Externer SIM-Kartenleser

Installation der Anschlussbox

Das Anschlussmodul (GMLN5089_) unterstützt eine einfache Installation bei Konfigurationen mit Armaturenbrett- oder Remote-Montagen.

Die Anschlussbox ermöglicht Kunden, die einen Laptop zu der Remote-Konfiguration hinzufügen, den Anschluss eines Visiermikrofons, verschiedener Zuhörelemente oder eines Handmikrofons.

Abbildung 38: Remote-Installation mit der Anschlussbox

Zahl	Beschreibung
1	am MTM800 Enhanced-Zubehöranschluss
2	Lautsprecher
3	Visiermikrofon GMMN4065_
4	Verbindungskabel PMKN4101/2/3_
5	PTT extern
6	am Zündschalter
7	Externer Alarm
8	Not-Aus
9	Handmikrofon GMMN4063_
10	Anschlussbox GMLN5089_
11	Zubehöranschlusssatz GMBN1021_
12	Standard RS232-Kabel

Tabelle wird fortgesetzt...

Zahl	Beschreibung
13	Laptop



Hinweis: Die Leiterplatte der Anschlussbox ist nicht reparabel. Bitte bestellen Sie eine neue Anschlussbox, falls erforderlich.

Installation

Das Anschlussmodul kann horizontal oder vertikal installiert werden. Das Anschlussmodul hat keine Anschlussversiegelung und ist ausschließlich für den Gebrauch in einer vor Staub und Wasser geschützten Umgebung vorgesehen. Weitere Informationen finden Sie in der folgenden Abbildung.

Vorgang:

1. Befestigen Sie das Anschlussmodul mit den vier im Satz mitgelieferten Schrauben.
2. Schließen Sie das Verbindungskabel (Länge = 6 m), (Länge = 4 m), (Länge = 2 m) am Zubehöranschluss auf der Rückseite des Transceivers an. Befestigen Sie das Kabel mit den Steckerschrauben.
Das Kabel, das ausschließlich für die Installation verwendet wird, ist nicht im Lieferumfang enthalten. Schutzart (IP): IP30
3. Alle anderen Geräte sind anzuschließen wie in der vorigen Abbildung gezeigt.

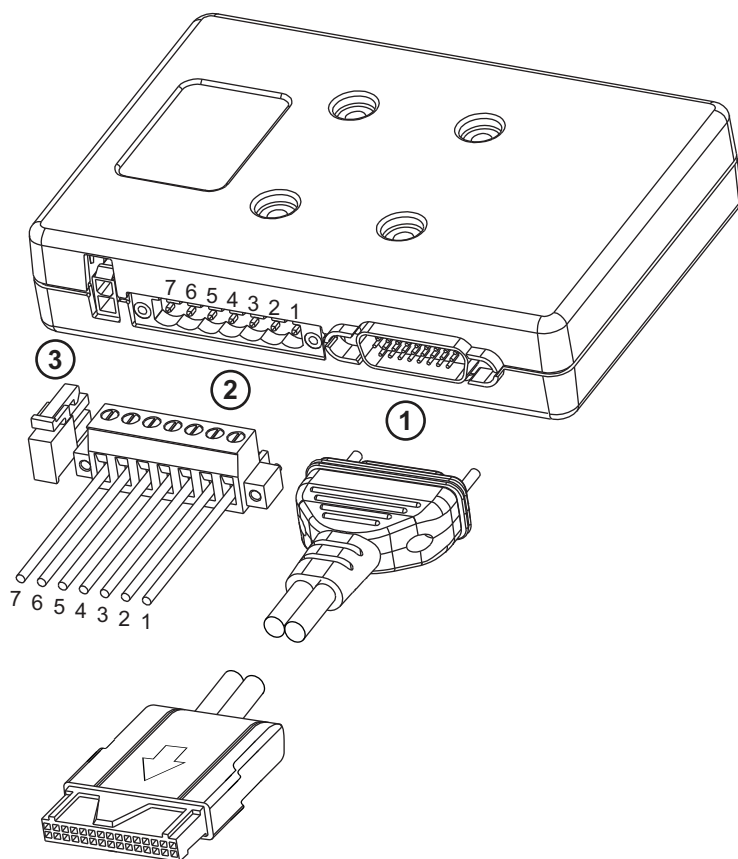
Zubehör an Anschlussbox anschließen

Vorgang:

1. Schließen Sie alle Zubehörteile am Anschlussmodul an. Bei Bedarf finden Sie weitere Informationen zum Anschließen von Zubehör unter „Verfahren zum erneuten Zusammenklemmen“.
2. Verbinden Sie das Kabel für die Verbindung des Funkgeräts mit dem Anschlussmodul.
3. Verbinden Sie das Programmierkabel mit dem Anschlussmodul (falls erforderlich).

Anschlüsse an der Anschlussbox

Abbildung 39: Anschlüsse an der Anschlussbox – Frontseite



Anschlüsse an der Anschlussbox – Vorderes Bedienfeld

1 = Anschlusskabel von Anschlussbox zu MTM5200/MTM5400/MTM800 FuG (26-poliger Zubehöranschluss auf der Rückseite), nur für Installationszwecke.

PMKN4101_ (Länge 6 m)

PMKN4102_ (Länge 4 m)

PMKN4103_ (Länge 2 m)

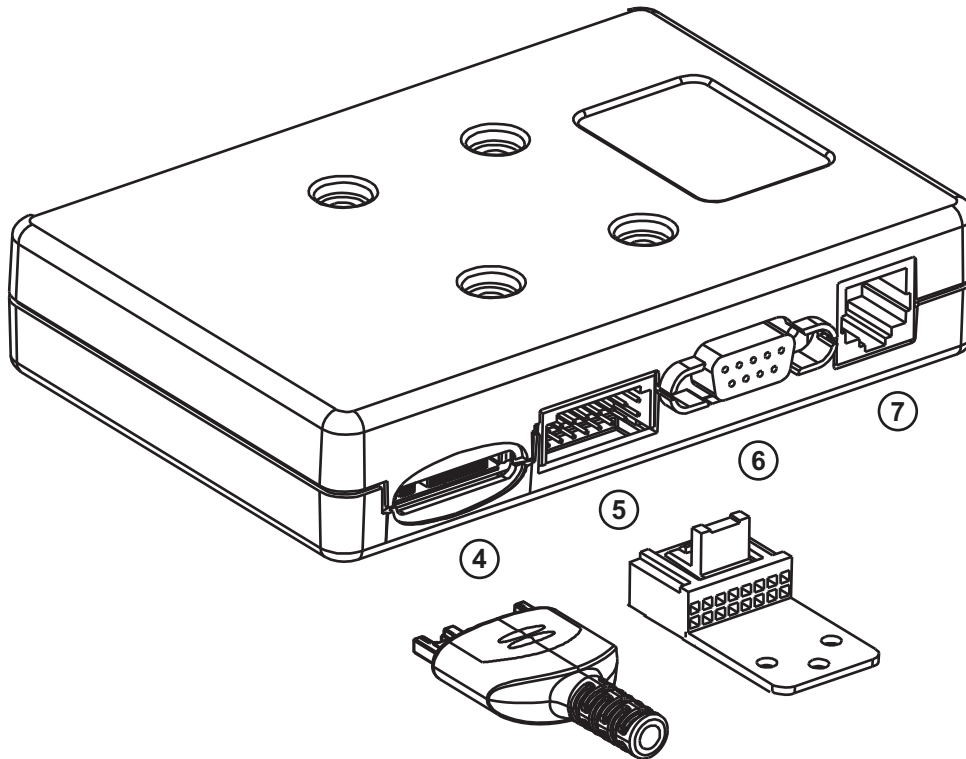
2 = Anschluss für Zubehörgeräte
 Anschluss 1 LAUTSPRECHER +
 Anschluss 2 LAUTSPRECHER -
 Anschluss 3 EXT_PTT
 Anschluss 4 ZÜNDUNGSEKENNUNG
 Anschluss 5 EXT_ALARM
 Anschluss 6 NOTRUF
 Anschluss 7

3 = Anschluss für Visiermikrofon
 PMMN4087_ oder GMMN4065_



Vorsicht: PIN 4: Verwenden Sie einen Adapter zwischen dem Funkgerät und dem Zubehöranschluss, um die Zündung mit der Erde zu verbinden. Interferenzen können dazu führen, dass das Funkmodul nicht richtig arbeitet.

Abbildung 40: Anschlüsse an der Anschlussbox – Rückseite



Anschlüsse an der Anschlussbox – Rückseite

4 = Zusätzliche PEI-Port, kann mit PMKN4025_ benutzt werden.

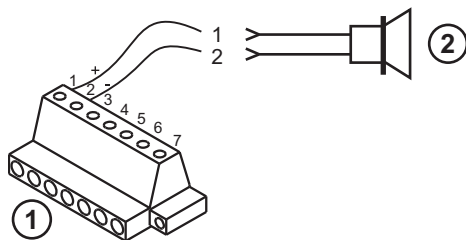
5 = 16-poliger Anschluss für Zubehör, verwendet GMBN1021_ oder den vollständigen Zubehör-Anschlussatz HLN9457_.

6 = Anschluss zum Anschließen eines Laptops über ein RS232-Kabel

7 = TELCO-Anschluss für Handmikrofon (GMMN4063)

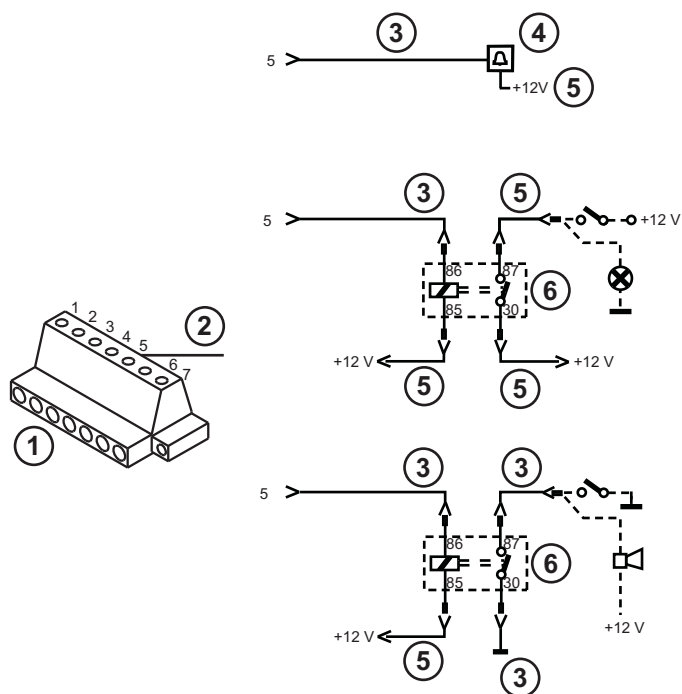
Anschlussplan für Klemmenblock der Anschlussbox

Abbildung 41: Anschlussplan für den Lautsprecher



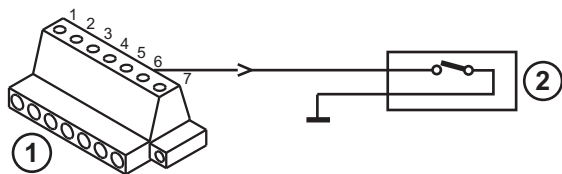
Zahl	Beschreibung
1	Klemmenblock der Anschlussbox
2	Lautsprecher

Abbildung 42: Anschlussplan für das Alarmrelais

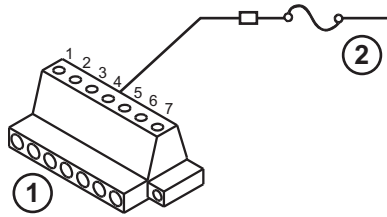


Zahl	Beschreibung
1	KLEMMENBLOCK DER ANSCHLUSSBOX
2	EXTERNER ALARM
3	SCHWARZ
4	BUZZER
5	ROT
6	ALARMRELAIS

Abbildung 43: Anschlussplan für den Notrufschalter

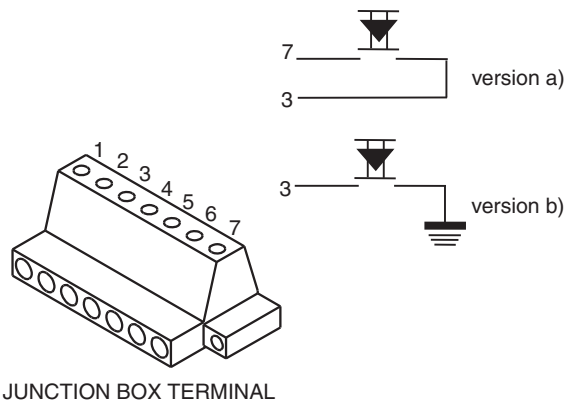


Zahl	Beschreibung
1	Klemmenblock der Anschlussbox
2	Not-Aus

Abbildung 44: Anschlussplan für das Zündungserkennungskabel

Zahl	Beschreibung
1	Klemmenblock der Anschlussbox
2	Zum Zündschalter, Zündungserkennungskabel, Akkuspannungswechsel

Das Zündungserkennungskabel PMKN4120 ermöglicht das Ein- und Ausschalten des MTM800 FuG durch die Fahrzeugzündung.

Abbildung 45: Anschlussplan für externe Sprechtaete (PTT)

Installieren des Kabels

Vorgang:

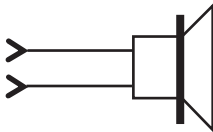
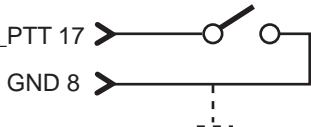
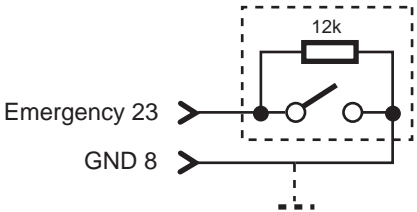
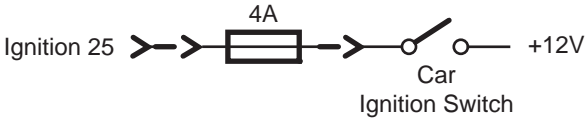

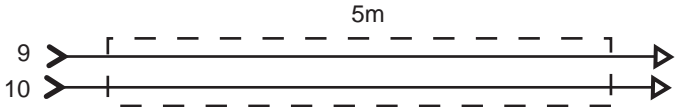
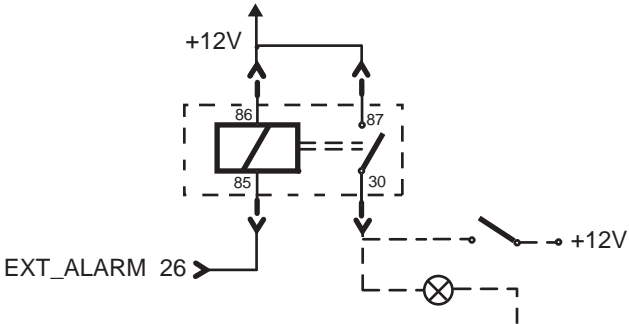
1. Schließen Sie den freigelegten Draht des Sicherungshalterkabels nur an eine an die Zündung angeschlossene Anschlussklemme des Sicherungsblocks an. Benutzen Sie dafür die mitgelieferte oder eine andere passende Anschlussklemme.
2. Befestigen Sie den Sicherungshalter mithilfe des Montagelochs, und bringen Sie die Drähte entsprechend an.
3. Kürzen Sie das dünne Kabel auf die erforderliche Länge, drehen Sie den mitgelieferten roten Draht und den freiliegenden Draht des dünnen Kabels zusammen, und verbinden Sie sie mit der blauen Anschlussklemme des Sicherungshalterkabels.
4. Schließen Sie das andere Ende des dünnen Zünderkennungskabels an Pin 4 des Anschlussmoduls an.
5. Führen Sie die mitgelieferte Sicherung in den Sicherungshalter ein, und schließen Sie die Abdeckung.



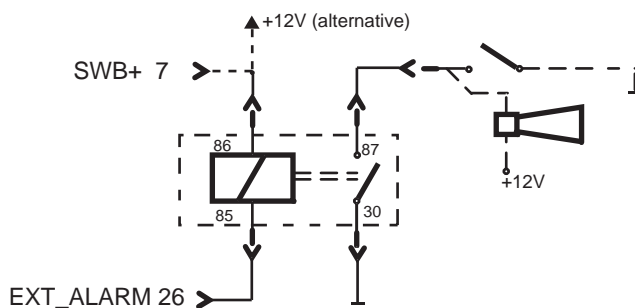
Vorsicht: PIN 4: Wenn die Zündleitung nicht verwendet wird, muss sie geerdet werden. Interferenzen können dazu führen, dass das Funkmodul nicht richtig arbeitet.

Anschlussplan für Zubehöranchlussatz

Tabelle 49: Zubehöranchlussatz - Kabelanschluss

Artikelnummer/Beschreibung	Kabelanschluss
GMSN4066_ Lautsprecher 13 W GMSN4078_ Lautsprecher 5 W	SPKR- 9 SPKR+ 10 
RLN4857_ Sendetaste PTT RLN4858_ Schwanenhals PTT	EXT_PTT 17 GND 8 
RLN4836_ Notruffußschalter mit Kabel, drei Zustände	Emergency 23 GND 8 
PMKN4120_ Zündungserken- nungskabel	Ignition 25 4A Car Ignition Switch +12V 
	 Vorsicht: HKN9327_ Zündungserkennungskabel: Wird die Zündungsverbindungsleitung nicht verwendet, muss der Anschluss geerdet werden. Interferenzen können dazu führen, dass das Funkmodul nicht richtig arbeitet.
GMKN4084_ Lautsprecher-Ver- längerungskabel	5m 9 10 
GKN6272_ Externes Alarmrelais mit Kabel	+12V 86 87 85 30 EXT_ALARM 26 +12V 

Artikelnummer/Beschreibung Kabelanschluss



Funkgeräte mit erweitertem Modul für Datendienste

Zur Verwendung einer Anschlussbox mit einem mobilen Terminal mit dem Erweiterungsmodul für Datendienste muss immer der 9-polige RS232-Anschluss am Erweiterungsmodul für Datendienste für das PEI anstelle des 9-poligen RS232-Anschlusses an der Anschlussbox (Anschluss 6) verwendet werden. Installieren Sie eine Steckbrücke zwischen den Pins 6 und 15 der Anschlussbox (Anschluss 5), um die korrekte Funktion des PEI zu gewährleisten.

Standard-Funkgeräte ohne erweitertes Modul für Datendienste

Bei Standardmobilfunkgeräten ohne dem Erweiterungsmodul für Datendienste muss die Steckbrücke zwischen den Pins 6 und 15 der Anschlussbox (Anschluss 5) entfernt werden.

Mobilgerät	Pins 6 und 15 überbrücken?	RS232-Schnittstelle der Anschlussbox verwenden?
Mit erweitertem Modul für Datendienste	Ja	Anz. Verwenden Sie stattdessen die 9-polige Schnittstelle des erweiterten Moduls für Datendienste.
Ohne erweitertes Modul für Datendienste	Nein	Ja

Standard-Funkgeräte ohne Ethernet-Erweiterungsmodul für Datendienste

Bei mobilen Standardgeräten ohne das Ethernet-Erweiterungsmodul für Datendienste muss die Steckbrücke zwischen den Pins 6 und 15 der Anschlussbox (Anschluss 5) entfernt werden.

Mobilgerät	Pins 6 und 15 überbrücken?	RS232-Schnittstelle der Anschlussbox verwenden?
Mit Ethernet-Erweiterungsmodul für Datendienste	Ja	Anz. Verwenden Sie stattdessen die 9-polige Schnittstelle des Ethernet-Erweiterungsmoduls für Datendienste.
Ohne Ethernet-Erweiterungsmodul für Datendienste	Nein	Ja

Befestigungshalterung installieren

Wann und wo zu verwenden: Mit der Befestigungshalterung kann das Gerät an verschiedenen Oberflächen angebracht werden. Die Halterung muss an der Karosserie sicher angebracht werden.

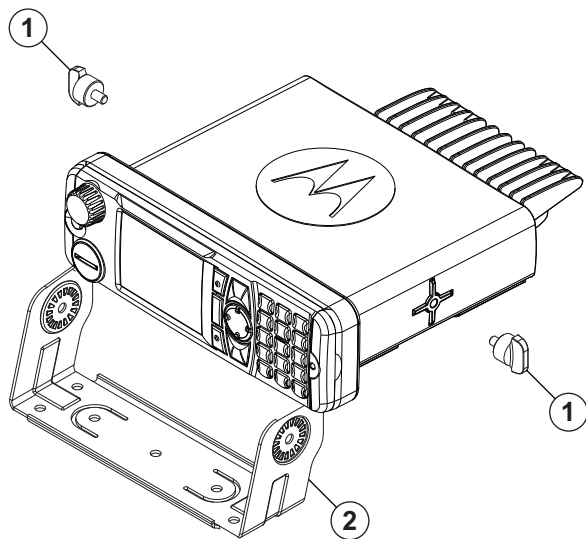
Vorgang:

1. Vergewissern Sie sich, dass die Oberfläche das Gewicht des Geräts tragen kann.

Die Halterung kann zwar an einem Armaturenbrett aus Plastik installiert werden, es wird jedoch empfohlen, die Montageschrauben am Metallrahmen des Armaturenbretts anzubringen.

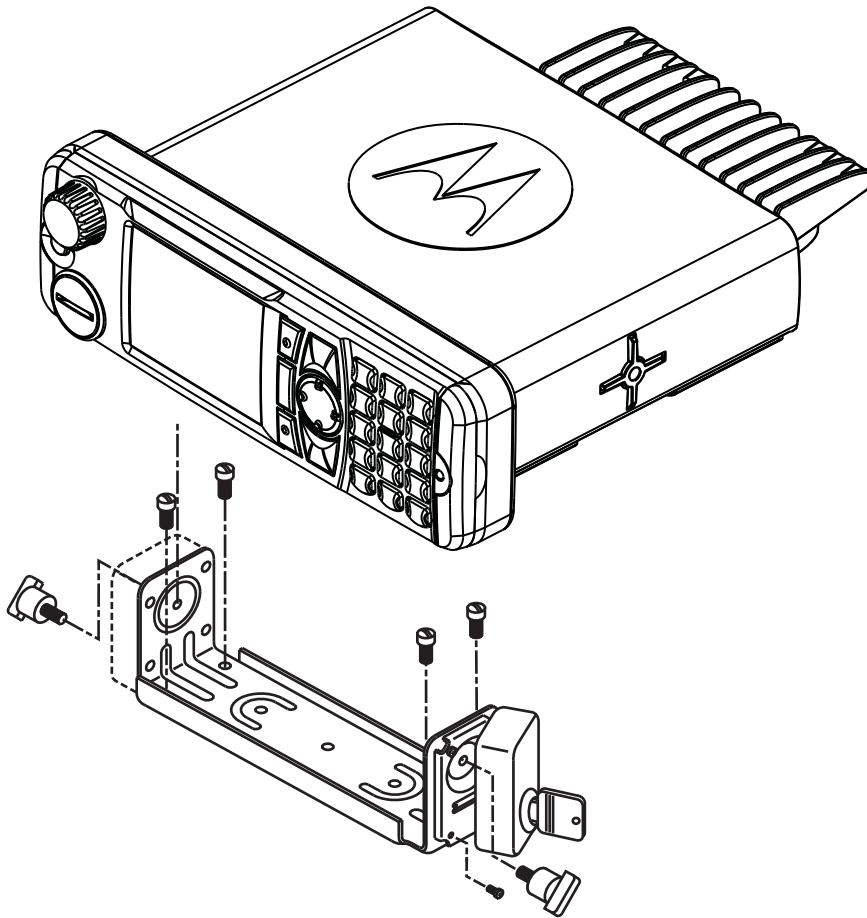
2. Erden Sie die Abdeckung des Funkgeräts mit dem nächsten Massepunkt der Karosserie. Entfernen Sie hierfür die Farbe von der Halterung, wo das Funkgerät und die Karosserie die Halterung berühren, oder verwenden Sie ein kurzes Kabel mit Kabelschuhen an beiden Enden, und verbinden Sie dieses mit der Karosserie unter der Flügelschraube.

Abbildung 46: Installation des Funkgeräts in der Halterung für erhöhte Montage (GLN7317_)



Zahl	Beschreibung
1	Flügelschrauben (0302637Y01), die Flügelschrauben sind Teil des Montage-Kits.
2	Halterung – Hauptteil, Artikelnummer. GLN7317_

Abbildung 47: Gerät in abschließbare Gerätehalterung (RLN4779_)




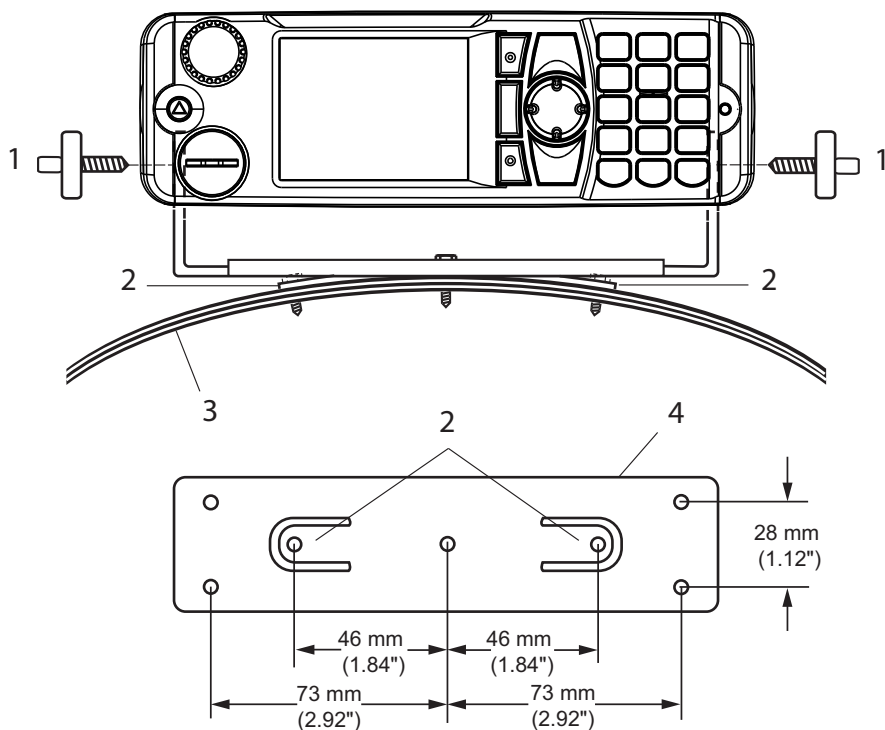
3. Installieren Sie das Gerät entweder am Mittelunnel oder an einer Stelle unter dem Armaturenbrett (siehe folgende Abbildung). Achten Sie bei der Montage der Halterung am Mittelunnel darauf, dass das Getriebegehäuse nicht beschädigt wird.
 4. Markieren Sie die Position der Bohrlöcher auf der Montageoberfläche mithilfe der Befestigung für die Halterung. Verwenden Sie die inneren drei Löcher für die Montage an einer gewölbten Oberfläche und die drei äußeren Löcher für die Montage an einer flachen Oberfläche unter dem Armaturenbrett.
 5. Können Sie den markierten Punkt an, und bohren Sie mithilfe eines 4-mm-Bohrers die Löcher an den entsprechenden Stellen.
 6. Befestigen Sie die Halterung mit den drei mitgelieferten Schneidschrauben an der Montageoberfläche (siehe folgende Abbildung).
 7. Schieben Sie das Gerät in die Halterung. Befestigen Sie das Gerät mit den zwei mitgelieferten Flügelschrauben.
-  **Hinweis:** Die Beschriftung der Tastatur des Bedienteils kann je nach kunden-/länderspezifischen Anforderungen variieren.
8. Erden Sie die Abdeckung des Funkgeräts mit dem nächsten Massepunkt der Karosserie. Entfernen Sie hierfür die Farbe von der Halterung, wo das Funkgerät und die Karosserie die Halterung berühren, oder verwenden Sie ein kurzes Kabel mit Kabelschuhen an beiden Enden, und verbinden Sie dieses mit der Karosserie unter der Flügelschraube.

Abbildung 48: Montage auf dem Armaturenbrett

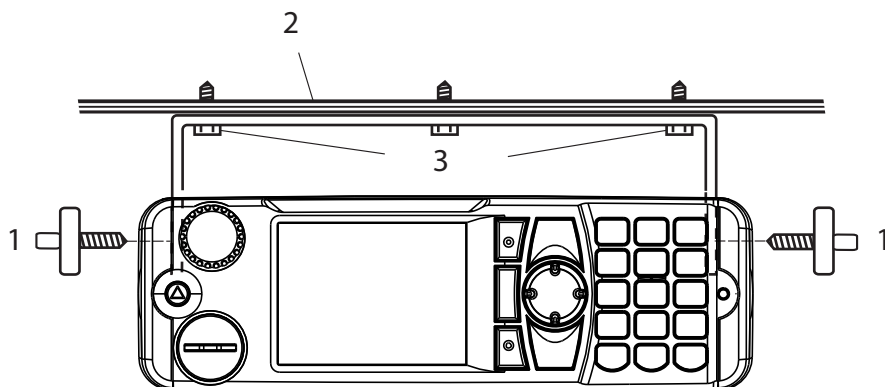


Zahl	Beschreibung
1	Flügelschraube
2	Lasche
3	Montagefläche
4	Montagehalterung

Das Kit GLN7317_ umfasst folgende Elemente:

- 0771061L01 – Lasche, Standardhalterung
- 0302637Y01 – Flügelschraube M5 x 7,9 mm, Anzahl: 2
- 0400002647 – Befestigungsscheibe, Anzahl: 2
- 0312002B14 – Selbstbohrende Schraube, 10-16x1, Anzahl: 4

Abbildung 49: Montage unter dem Armaturenbrett



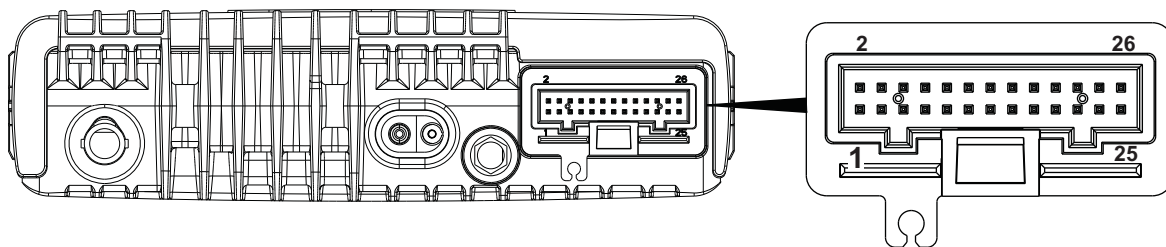
Zahl	Beschreibung
1	Flügelschraube
2	Montagefläche
3	Blechschrauben

Kapitel 5

Anschlüsse und PIN-Belegung

Rückseite des Transceivers

Abbildung 50: Position des Zubehöranschlusses – Rückseite



Vorsicht: Die abgebildeten Zubehöranschlüsse sind nicht mit allen Motorola-Funkmodulmodellen kompatibel. Im Dokumentationsmaterial des entsprechenden Zubehörs oder im technischen Handbuch finden Sie weitere Informationen.

Tabelle 50: 26-poliger Zubehöranschluss


PIN	Funktion	Beschreibung
1	UART1_TXD/USBx_D+	USB 1.1 - Standard-Host
2	UART1_RXD/USBx_D-	RS232 oder UART2 – Alternativeinstellung
3	UART1_RTS/USBx_VBUS	 Hinweis: Wenn das Erweiterungsmodul angeschlossen ist – der Anschluss ist USB1.1. Bei der DB9-Schnittstelle des Erweiterungsmoduls ist UART2 konfiguriert. Das Funkgerät überwacht die DB9-Schnittstelle, um zu erkennen, ob ein Kabel angeschlossen ist oder nicht. Zu diesem Zweck ermittelt es, ob bei den Pins der RX- und DTR-Leitungen eine elektrische Spannung vorliegt. Wenn das Erweiterungsmodul nicht angeschlossen ist – dann kann der Anschluss im CPS-Kodierstecker auf UART2 konfiguriert werden (Standardeinstellung ist USB1.1).
4	GND_USBx	
5	1-WIRE	1-poliger Standardanschluss (über 2K2 zu 5 V innerhalb U600 gezogen), Daten für RMN5054_-Mikrofon
6	SCHLÜSSELFEHLER/FLASH	Schlüssel-Last (über 10K auf 5 V gezogen)

Tabelle wird fortgesetzt...


PIN	Funktion	Beschreibung
		Flash-Eingang (mehr als 10 V löst Flash-Modus aus)
7	SWB +	A+ Spannung (begrenzt auf 14 V) mit 1 A Strombegrenzung
8	GND_MAIN	Haupt- und Erdungsleitung
9	LAUTSPRECHER-	Lautsprecher (PA) Ausgang –
10	LAUTSPRECHER+	Lautsprecher (PA) Ausgang +
		 Warnung: Nicht erden! Im Anhang finden Sie weitere Informationen zur Audio-Nennleistung. Schließen Sie Audio-Zubehör nicht einseitig zwischen dem Lautsprecherausgang (+ oder -) und der Erdung an der Rückseite an, da das tragbare Funkgerät über einen Klasse-D-Verstärker verfügt. Falls es erforderlich ist, einseitiges Zubehör an einen Lautsprecherausgang anzuschließen, muss der ausgewogene Lautsprecher-Ausgang des Funkgeräts mit einem Transformator oder Stromkreis einseitig konvertiert werden.
11	TX_AUDIO	TX Audio-Eingang (Line In, 26-poliger Anschluss J400 auf der Rückseite für Tonaufzeichnung)
12	GND_ANA	Hauptaudioerdung
13	MIC1/EXT_MIC	Eingang für externes Mikrofon (EXT_MIC) oder für erstes Mikrofon (MIC1); Nennempfindlichkeit: 80 mV RMS, Vorspannung: 9,3 V oder 2,1 V (abhängig vom ausgewählten Zubehör)
14	RX_AUDIO	RX Audio-Eingang (Line Out, 26-poliger Anschluss J400 auf der Rückseite für Tonwiedergabe)
15	MIC2	Mikrofoneingang (MIC2), Nennempfindlichkeit: 80 mV RMS, Vorspannung: 9,3 V oder 2,1 V (abhängig vom ausgewählten Zubehör)
16	GND_MIC	Masse (für MIC)
17	EXTERNAL_PTT	PTT-Eingang (über 4K7 auf 5 V gezogen)
18	UART2_DTR/USB _y _ID	RS232 oder UART1/ UART2 DTR/2. USB2.0 (OTG) ID
19	HOOK_PA_EN	HOOK_PA_EN-Eingang (oder programmierbare 5 V GPIO)
20	UART2_TXD/USB _y _TX	RS232 oder UART2 TXD/2. USB2.0 (OTG) D+
		<ul style="list-style-type: none"> • Wenn das Erweiterungsmodul angeschlossen ist – der Anschluss ist USB 2.0. • Wenn das Erweiterungsmodul nicht angeschlossen ist und UART2 im CPS-Kodierstecker auf die Pins 1-4 konfiguriert ist, dann ist der Anschluss USB2.0. • Wenn UART2 nicht auf die Pins 1-4 des CPS-Kodiersteckers konfiguriert

Tabelle wird fortgesetzt...

PIN	Funktion	Beschreibung	
21	UART2_RTS/USBy_VBUS	RS232 oder UART2 RTS/2. USB2.0 (OTG) VBUS – 100 mA	ist, wird automatisch USB2.0/UART2 geschaltet, je nach dem, welches Zubehör erkannt wird.
22	UART2_RXD/USBy_RX	RS232 oder UART2 RXD/2. USB2.0 (OTG) D-	
23	NOTRUF	Notruf-Eingang (über 24K9 auf A+ gezogen) – Zum Einschalten auf Minus-Potenzial schalten	
24	UART_CTS	RS232- oder UART1/UART2 CTS-Eingang	
25	ZÜNDUNG	Zündungseingang (durch Serie 15K) – 10 V ziehen > zum Einschalten	
26	EXTERNER ALARM	Ausgang externes Alarmsignal (über 4K7 auf A+ gezogen)	



Vorsicht: PIN 25: Wird die Zündleitung nicht verwendet, muss sie geerdet werden, beispielsweise durch Anschluss an Pin 8. Interferenzen können dazu führen, dass das Funkmodul nicht richtig arbeitet.



Hinweis: PIN 13 und 15 können nicht gleichzeitig eingesetzt (oder konfiguriert) werden.

Zubehöranschlussplan



Vorsicht: Die abgebildeten Zubehöranschlüsse sind nicht mit allen Motorola-Funkmodulmodellen kompatibel. Im Dokumentationsmaterial des entsprechenden Zubehörs oder im technischen Handbuch finden Sie weitere Informationen. Prüfen Sie die korrekte Positionierung des Zubehöranschlusses.

Abbildung 51: Zubehöranschluss

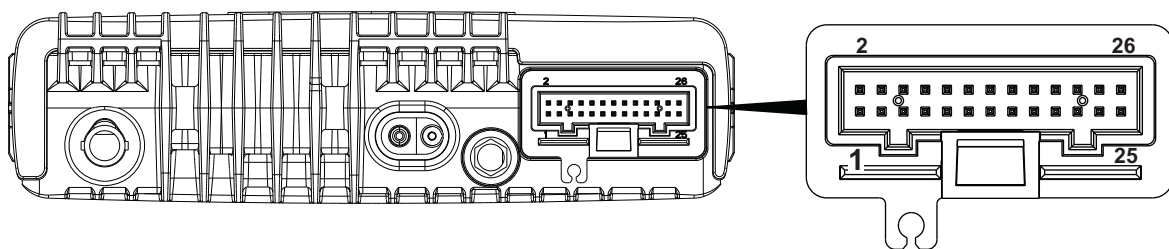
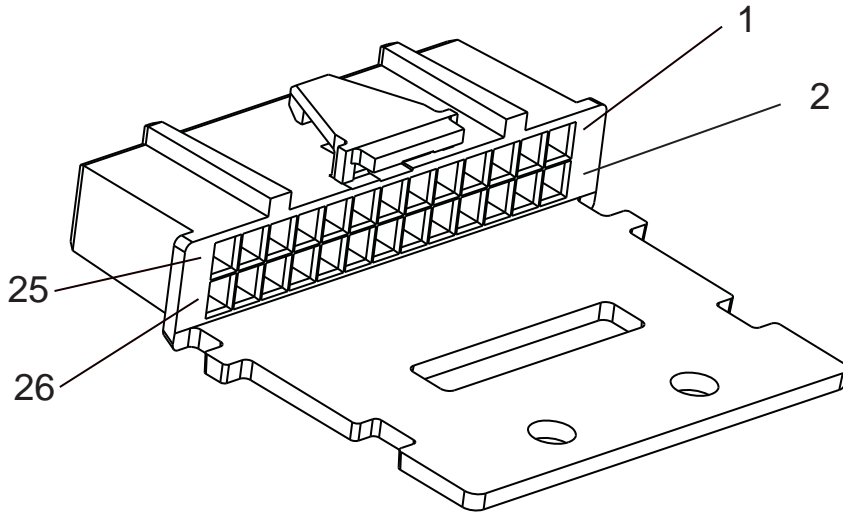
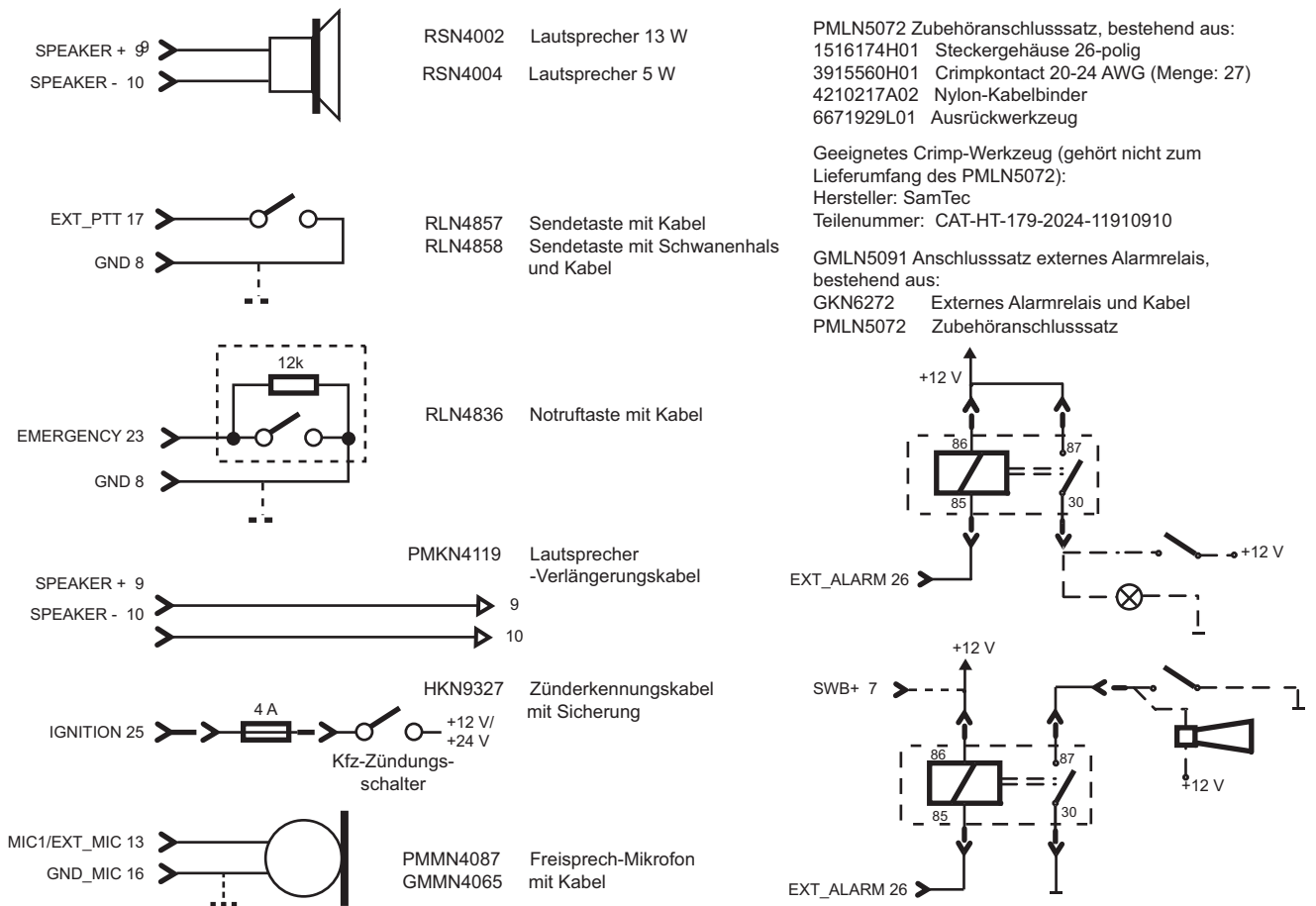


Abbildung 52: 26-poliger Zubehöranschluss



Der 26-polige-Anschluss, Artikelnummer 1516174H01 (geliefert mit dem Zubehöranchlusssatz, Artikelnummer PMLN5072_) wird an den 26-poligen Zubehöranschluss des Geräts angeschlossen.

Abbildung 53: Anschlussdiagramme



Vorsicht: HKN9327_Zündungserkennungskabel: Wird die Zündungsverbindungsleitung nicht verwendet, muss der Anschluss geerdet werden. Interferenzen können dazu führen, dass das Funkmodul nicht richtig arbeitet.

Verfahren zum erneuten Zusammenklemmen

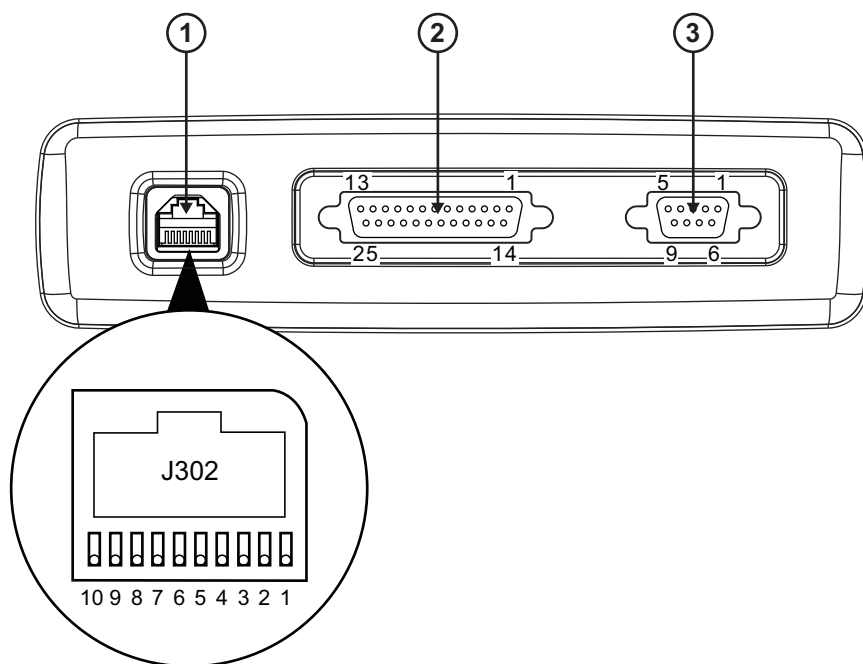
Wenn Sie Zubehör von MTM800, z. B. RLN4858_ und GKN6272_, auf der Rückseite des Funkgeräts anschließen wollen, befolgen Sie die Beschreibung des Crimp-Verfahrens bei Crimp-Pins, die mit dem PMLN5072_- Anschlussatz geliefert werden. Wird die Daten-Anschlussdose GMLN5089_ verwendet, muss kein Crimpen durchgeführt werden, um dieses Zubehör anzuschließen.

Prozess:

1. Schneiden Sie die mit Nickel überzogenen Pins vom Draht ab, und entfernen Sie sie.
2. Entfernen Sie die Isolierung von den Drahtenden (2 bis 4 mm).
3. Legen Sie den neuen, mit Gold überzogenen Crimp-Pin (aus dem Kit PMLN5072_) in die Öffnung der Crimpzange.
4. Führen Sie den Draht in die Drahtöffnung des Crimp-Pins ein.
5. Drücken Sie die Griffe der Crimpzange zusammen, bis der Draht durch den Pin zusammengeklummt ist.

Anschlüsse und Pinbelegung des erweiterten Moduls für Datendienste und des erweiterten Remote-Moduls

Abbildung 54: Erweitertes Datendienstmodul – Vorderansicht und Anschlussposition




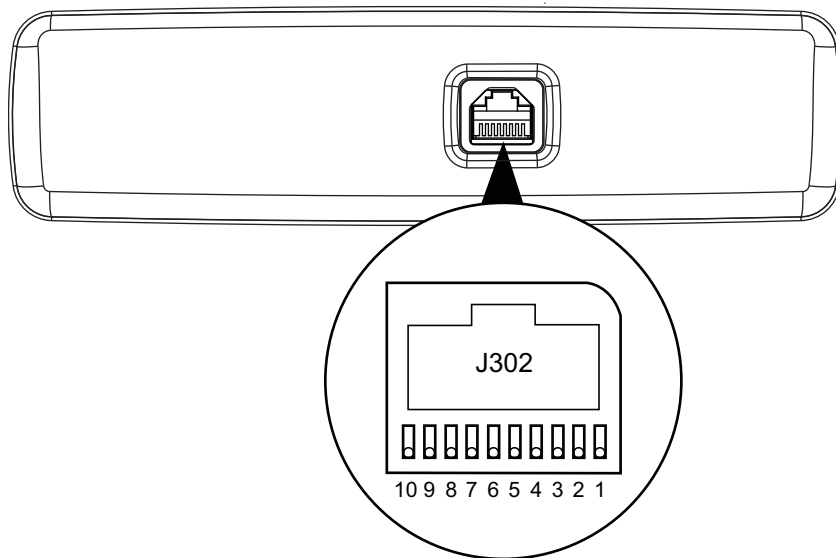
Zahl	Beschreibung
1	10-poliger TELCO Anschluss, Vorderansicht, Vorsicht:  Anschluss für Bedienteil.
2	25-poliger D-Sub-Anschluss

Tabelle wird fortgesetzt...

Zahl	Beschreibung
3	9-poliger D-Sub-Anschluss

Abbildung 55: Erweitertes Remote-Bedienteil – Vorderansicht und Anschlussposition



Vorsicht: Anschluss für Bedienteil.

10-poliger TELCO-Anschluss

Erweitertes Modul für Datendienste

1. Der 10-polige TELCO-Anschluss kann für den Anschluss eines individuellen Adapters verwendet werden, beispielsweise eines Helms mit Mikrofon/Ohrhörer (nicht von Motorola) oder einer externen Sprechtaete. Der individuell angepasste Adapter wird über das Kabel RKN4077_ angeschlossen.
2. Der 10-polige TELCO-Anschluss kann zum Anschließen eines erweiterten Bedienteils zur Remote-Montage verwendet werden.



Vorsicht: Schließen Sie KEINE anderen Zubehörteile (z. B. Mikrofone) an. Dies könnte zu einem Fehler aufgrund einer Hardwarefehlfunktion führen.

Erweitertes Remote-Modul:

Der 10-polige TELCO-Anschluss des erweiterten Remote-Moduls kann wie oben unter Punkt 2 beschrieben verwendet werden.

Tabelle 51: 10-poliger TELCO-Anschluss

PIN	Funktion	Beschreibung
1	Audio +	Audiosymmetrie + (bidirektional)
2	Nicht verbunden	
3	BUS+	Dient der Kommunikation zwischen dem Funkgerät und einem erweiterten Bedienteil.
4	Audio -	Audiosymmetrie - (bidirektional)
5	Nicht verbunden	

Tabelle wird fortgesetzt...

PIN	Funktion	Beschreibung
6	Masse	Masse
7	Funkgerät Ein/Aus	Das ist der Eingang des erweiterten Bedienteils für Dienstanforderungen. Eine Spannung von 5 V zeigt an, dass das erweiterte Bedienteil mit dem Funkgerät kommunizieren muss. Zudem werden die Spannungsregler des Funkgeräts eingeschaltet. Im Ruhezustand beträgt die Spannung 0,6 V.
8	SCI_TX	Dient der Kommunikation zwischen dem Funkgerät und dem erweiterten Bedienteil.
9	FLT_A+	Diese Spannung entspricht der Akkuspannung und liegt an, solange das Funkgerät mit der Stromquelle verbunden ist. Die maximale Stromstärke beträgt 300 mA. Eine Sicherung im Funkgerät verhindert Schäden am Stromkreis bei einem Kurzschluss der Pins gegen Masse.
10	Analoge Masse	Analoge Masse

25-poliger D-Sub-Anschluss

Erweitertes Modul für Datendienste

Das Funkgerät muss über das Zündungserkennungskabel PMKN4120_ ein-/ausgeschaltet werden; das Kabel muss an Pin 10 des Zubehöranchlusses auf der Rückseite des Funkgeräts angeschlossen werden.

Tabelle 52: 25-poliger D-Sub-Anschluss

PIN	Funktion	Beschreibung
1	GND (Masse)	Masse
2	RS232_SCI_TX	Daten übertragen (RS232-Leitung mit RS232-Pegel)
3	RS232_SCI_RX	Daten empfangen (RS232-Leitung mit RS232-Pegel)
4	RS232_RTS	Sendeanfrage (RS232-Leitung mit RS232-Pegel)
5	RS232_CTS	Sendebereitschaft (RS232-Leitung mit RS232-Pegel)
6	FLT_A+	UB+ / 200 mA gefiltert, nicht geschaltet
7	Signal_GND	Masse für RS232
9	NC	Nicht angeschlossen
10	NC	Nicht angeschlossen
11	NC	Nicht angeschlossen
12	SW_B+	UB +/100 mA, geschaltet
13		

Tabelle wird fortgesetzt...

PIN	Funktion	Beschreibung
14	ON_OFF_CONTROL / FLASH_MODE	<ul style="list-style-type: none"> Umschalten in Flash-Modus (Pin 14 mit Pin 6 verbinden) Ein-/Aus-Steuerung des Standardbedienteils Bedienteil
15		
16	INT_MIC	Analoger Audioanschluss des Mikrofons, 80 mV RMS, 600 Ohm Impedanz, 9 V=
17		
18	NC	Nicht angeschlossen
19	MASSE	Masse
20	ZÜNDUNG	Wenn dieser Pin an die Zündung des Fahrzeugs angeschlossen wird, wird das Funkgerät automatisch eingeschaltet, wenn das Fahrzeugs eingeschaltet wird. Hochaktiv
21	ON_OFF_GND	Der Eingang dient zur Ein-/Aus-Steuerung des alten Bedienteils „J“ (MTM300-Bedienteil).
22	EXPANSION_PTT	Erweiterungs-PTT, arbeitet zusammen mit INT_MIC
23		
24	HANDSET_AUDIO	Audio-Handset an Ohrhörer, Ohrhörer-Impedanz muss > 200 Ohm betragen
25	NC	Nicht angeschlossen

9-poliger D-Sub-Anschluss

Die Pin-Belegung dieses 9-poligen D-Sub-Anschlusses entspricht den Anforderungen des Standards für eine RS232-Schnittstelle mit RS232-Spannungspiegel. Das zu verwendende Kabel (siehe hierzu den Abschnitt „Kabel verbinden“) ist ein genormtes serielles Schnittstellenkabel, das für den Anschluss eines Datengeräts an eine RS232-Schnittstelle wie z. B. PC, Laptop, Konsole usw. geeignet ist.

Tabelle 53: 9-poliger D-Sub-Anschluss

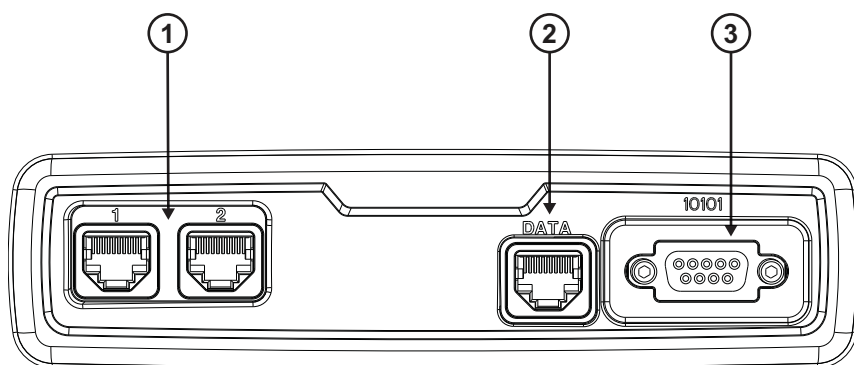
Pin	Funktion	Beschreibung	PC-Richtung
1	DCD	Trägererkennung (DCD, Data Carrier Detect)	Eingabe
2	RXD	Empfangene Daten	Serieller Eingang
3	TXD	Übertragene Daten	Serieller Ausgang
4	DTR	Datengerät bereit (DTR, Data Terminal Ready)	Ausgang
5	GND (Masse)	Masse (Ausgang)	Ausgang
6	DSR	Datensatz bereit (DSR, Data Set Ready)	Eingabe

Tabelle wird fortgesetzt...

Pin	Funktion	Beschreibung	PC-Richtung
7	RTS	Anforderung zum Senden (RTS, Request to Send)	Ausgang
8	CTS	Sendebereit (CTS, Clear to Send)	Eingabe
9	RI	Ringindikator	Eingabe

Anschlüsse und Pin-Belegung des Ethernet-Erweiterungsmoduls

Abbildung 56: Erweitertes Ethernet-Modul – Vorderansicht und Anschlussposition



Zahl	Beschreibung
1	Zwei 10-polige Ethernet-Anschlüsse. (Anschlüsse zu den Bedienteilen). <div style="display: flex; align-items: center;"> <p>Warnung: Ethernet-Erweiterungsmodule sind nur kompatibel mit Ethernet-Remote-Bedienteilen. Ein Ethernet-Bedienteil darf nicht mit Nicht-Ethernet-Bedienteilen kombiniert werden.</p> </div>
2	10-poliger Anschluss (für SIM-Konnektivität)
3	9-poliger D-Sub-Anschluss



Hinweis: TELCO-Kabel können nicht verwendet werden. Das 10-polige Ethernet-Kabel kann nur zur Verbindung mit einem Ethernet Remote-Bedienteil oder einem Bedienteil im Telefonstil verwendet werden.

Schnittstellen des Ethernet-Bedienkopfes

Tabelle 54: Pin-Belegung des 10-poligen Steckverbinders von RJ50 Port 1 und Port 2 – Ethernet-Erweiterungsmodul

Pin	Funktion	Beschreibung
1	FLT_A+ (12 V)	Dies ist die Spannungsversorgung für das EEH von der Stromversorgung oder Batterie

Tabelle wird fortgesetzt...

Pin	Funktion	Beschreibung
2	TX_P_P1	Ethernet, Übermittlung, positiv, TX+
3	TX_N_P1	Ethernet, Übermittlung, negativ, TX-
4	RX_P_P1	Ethernet, Empfang, positiv, RX+
5	GND (Masse)	Hauptplatine Masse
6	GND (Masse)	Hauptplatine Masse
7	RX_N_P1	Ethernet, Empfang, negativ, RX-
8	CH_ON_OFF_OUTX_5V	EIN/AUS-Steuerleitung von Transceiver zu Bedienteil
9	CH_ON_OFF_INX_5V	EIN/AUS-Steuerleitung von Bedienteil zu Transceiver
10	FLT_A+ (12 V)	Dies ist die Spannungsversorgung für das EEH von der Stromversorgung oder Batterie

SIM-Schnittstelle

Tabelle 55: SIM-Schnittstelle – Pins

Pin	Typ	Beschreibung
1	SIM	TxD RS232
2	Ethernet	TX+
3	Ethernet	TX-
4	Ethernet	RX+
5	SIM	SIM Erkennung
6	SIM	GND (Masse)
7	Ethernet	RX-
8	SIM	RxD RS232
9	SIM	SIM zurücksetzen
10	SIM	+12 V

9-poliger D-Sub-Anschluss

Die Pin-Belegung dieses 9-poligen D-Sub-Anschlusses entspricht den Anforderungen des Standards für eine RS232-Schnittstelle mit RS232-Spannungspegel. Das zu verwendende Kabel (siehe hierzu den Abschnitt „Kabel verbinden“) ist ein genormtes serielles Schnittstellenkabel, das für den Anschluss eines Datengeräts an eine RS232-Schnittstelle wie z. B. PC, Laptop, Konsole usw. geeignet ist.

Tabelle 56: 9-poliger D-Sub-Anschluss

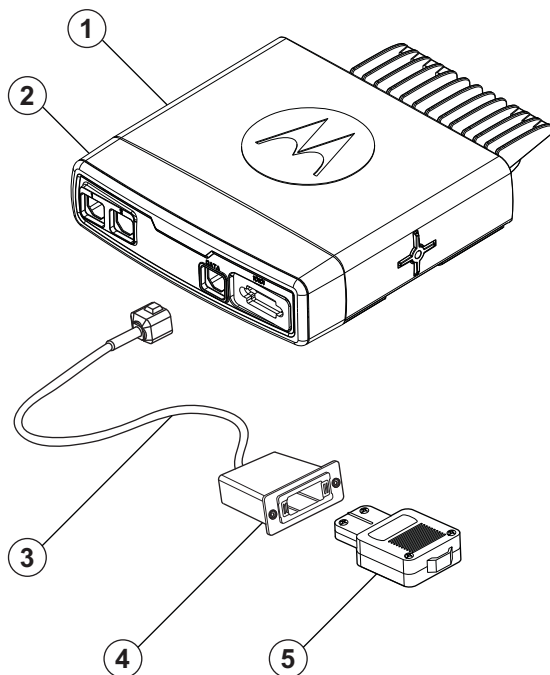
Pin	Funktion	Beschreibung	PC-Richtung
1	DCD	Trägererkennung (DCD, Data Carrier Detect)	Eingabe
2	RXD	Empfangene Daten	Serieller Eingang
3	TXD	Übertragene Daten	Serieller Ausgang

Tabelle wird fortgesetzt...

Pin	Funktion	Beschreibung	PC-Richtung
4	DTR	Datengerät bereit (DTR, Data Terminal Ready)	Ausgang
5	GND (Masse)	Masse (Ausgang)	Ausgang
6	DSR	Datensatz bereit (DSR, Data Set Ready)	Eingabe
7	RTS	Anforderung zum Senden (RTS, Request to Send)	Ausgang
8	CTS	Sendebereit (CTS, Clear to Send)	Eingabe
9	RI	Ringindikator	Eingabe

SIM-Kartenleser

Abbildung 57: Ethernet-Erweiterungsmodul mit SIM-Kartenleser



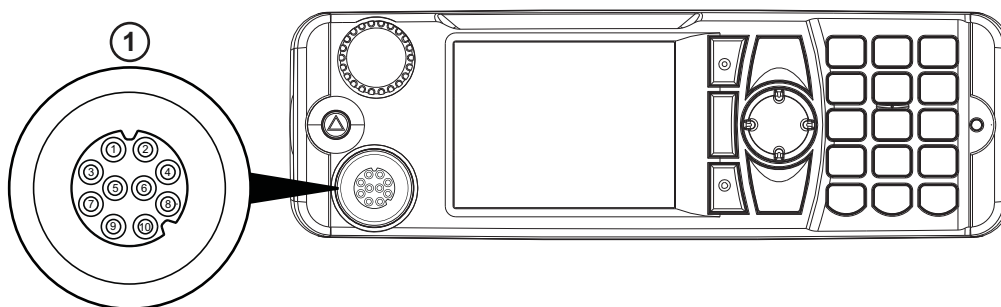
Zahl	Beschreibung
1	Transceiver
2	Ethernet-Erweiterungsmodul
3	SIM-Kartenleserkabel PMKN4137_ oder PMKN4142_
	<p>⚠️ Warnung: Das SIM-Kartenleserkabel muss ordnungsgemäß am SIM-Kartenleser und am Transceiver angeschlossen werden. Das Kabel hat die Aufschrift SIM READER, um kenntlich zu machen, dass es für den Anschluss des SIM-Kartenlesers dient.</p>

Tabelle wird fortgesetzt...

Zahl	Beschreibung
4	SIM-Kartenleser GMLN5246_
5	SIM-Kartenhalter GMLN5101_

Anschluss- und Pin-Belegung des erweiterten Bedienteils

Abbildung 58: Mobilmikrofonanschluss des erweiterten Bedienteils



Zahl	Beschreibung
1	Ansicht des Mobilmikrofonanschlusses des erweiterten Bedienteils



Hinweis: Die Beschriftung der Tastatur des Bedienteils kann je nach kunden-/länderspezifischen Anforderungen variieren.

Tabelle 57: Mobilmikrofonanschluss des erweiterten Bedienteils

Mobilmikrofonanschluss-Pin	Standardfunktionen	Alternative Funktionen	USB-Funktionen	RS232-Funktionen	
1	1-WIRE	1-WIRE	1-WIRE	1-WIRE	
2	GPIO_3	PTT	GP-Eingang oder -Ausgang	GP-Eingang oder -Ausgang	RS-232-RTS
3	LAUTSPRECHER	LAUTSPRECHER	LAUTSPRECHER	LAUTSPRECHER	LAUTSPRECHER
4	GPIO_2	GPIO_2-EINGANG	GP-Eingang oder -Ausgang	DATEN-	RS-232-RXD
5	GND (Masse)	GND (Masse)	GND (Masse)	GND (Masse)	GND (Masse)
6	OPT 5 V	HOHE Impedanz	OPT 5 V	VBUS	OPT 5 V
7	MIC +	MIC +	MIC +	MIC +	MIC +
8	GPIO_1	GPIO_1-EINGANG	GP-Eingang oder -Ausgang	DATEN +	RS-232-TXD
9	GPIO_4	HOOK	GP-Eingang oder -Ausgang	GP-Eingang oder -Ausgang	RS-232-CTS

Tabelle wird fortgesetzt...

Mobilmikrofonanschluss-Pin	Standardfunktionen	Alternative Funktionen	USB-Funktionen	RS232-Funktionen
10 GPIO_0	GPIO_0-EINGANG	GP-Ein- und -Ausgang, eingeschaltet	GP-Ein- und -Ausgang, eingeschaltet	GP-Ein- und -Ausgang, eingeschaltet

Abbildung 59: Erweitertes Bedienteil zur Motorradmontage – Rückansicht

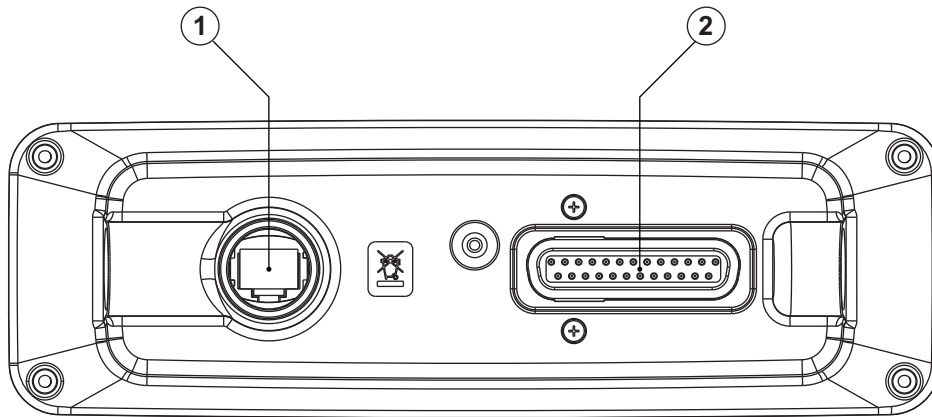


Abbildung 60: Erweitertes Bedienteil zur Remote-Montage – Rückansicht

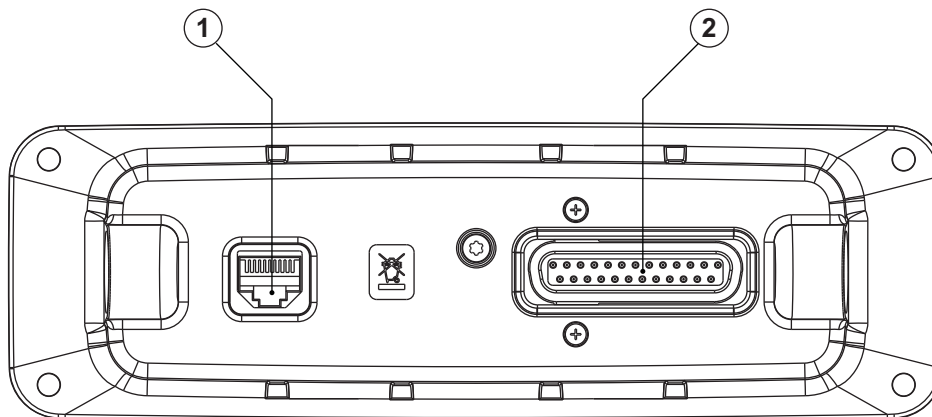
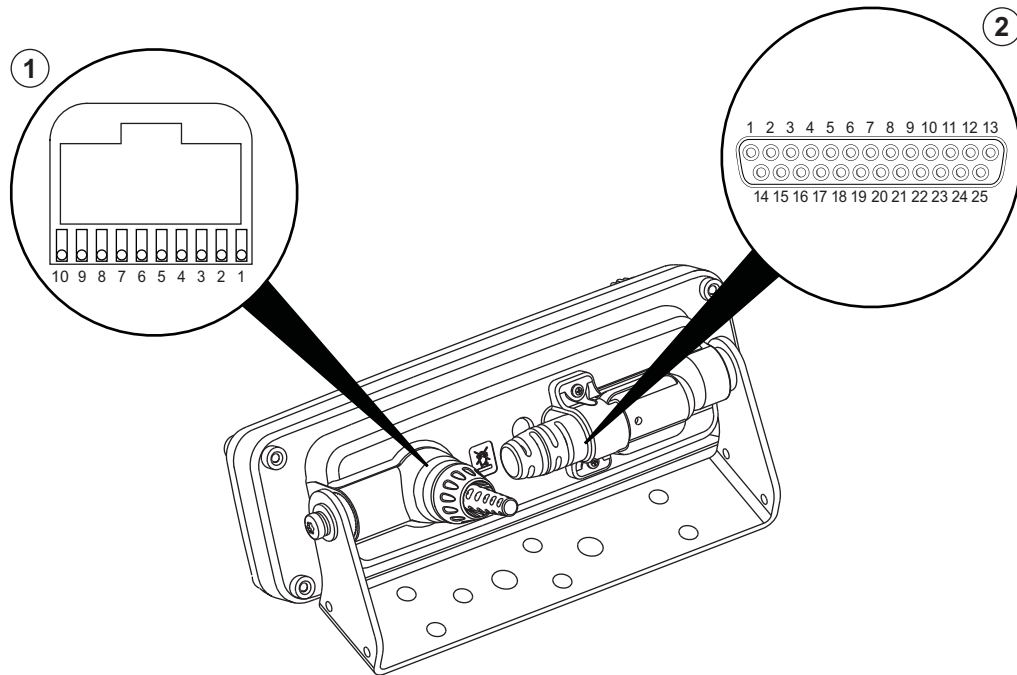


Abbildung 61: Erweitertes Bedienteil zur Motorradmontage – Anschlüsse auf der Rückseite

Hinweis: Die Anschlüsse auf dem erweiterten Bedienteil zur Motorradmontage und die auf dem erweiterten Bedienteil zur Remote-Montage sind dieselben. Die Gehäuse und die Kabel sind unterschiedlich.

Zahl	Beschreibung
1	10-poliger Telco-Anschluss
2	25-poliger Anschluss (Rückseite)

Tabelle 58: 10-poliger Telco-Anschluss

Telco-Anschluss-Pin	Funktion	Beschreibung
1	AUDIO +	Audiosymmetrie + (bidirektional)
2	NC	Nicht angeschlossen
3	BUS +	Dient der Kommunikation zwischen dem Funkgerät und einem erweiterten Bedienteil.
4	AUDIO -	Audiosymmetrie - (bidirektional)
5	NC	Nicht angeschlossen
6	GND (Masse)	Masse
7	Funkgerät Ein/Aus	Das ist der Eingang des erweiterten Bedienteils für Dienstanforderungen. Eine Spannung von 5 V zeigt an, dass das erweiterte Bedienteil mit dem Funkgerät kommunizieren muss. Zudem werden die Spannungsregler des Funkgeräts einge-

Tabelle wird fortgesetzt...

Telco-Anschluss-Pin	Funktion	Beschreibung
		schaltet. Im Ruhezustand beträgt die Spannung 0,6 V.
8	SCI_TX	Dient der Kommunikation zwischen dem Funkgerät und dem erweiterten Bedienteil.
9	FLT_A +	Diese Spannung entspricht der Akkuspannung und liegt an, solange das Funkgerät mit der Stromquelle verbunden ist. Die maximale Stromstärke beträgt 300 mA. Eine Sicherung im Funkgerät verhindert Schäden am Stromkreis bei einem Kurzschluss der Pins gegen Masse.
10	Analoge Masse	Analoge Masse

Tabelle 59: 25-poliger Anschluss (Rückseite)

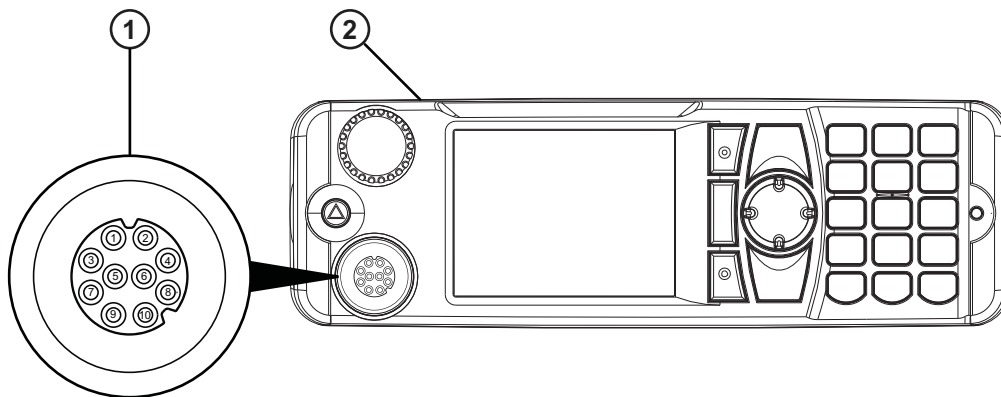
Rückseitiger Anschluss-Pin	Funktion	Beschreibung	Standard
1	GPIO_9	NGCH GPIO4	Ausgang: Aktiv für die Dauer eines Anrufs (Autoradio stumm). Kann als Auslöser für lokale Protokollier-Geräte verwendet werden.
2	GPIO_6	Externe PTT bei MIC_REAR_2	PTT-Eingang, TX Audio von MIC_REAR_2
3	GPIO_8	NGCH GPIO2 (CPS-konfigurierbar)	Deaktiviert
4	GPIO_3	Mobilmikrofonanschluss GCAI PIN 2, externe PTT oder MIC_REAR_1, Massekontakt 8 zum Aktivieren von MIC_REAR_1	PTT-Eingang, TX Audio von MIC_REAR_1
5	VBUS_1B	GCAI PIN 6: 5-V-Versorgung	Deaktiviert
6	REAR_D -	GCAI PIN 4: USB D -, GPIO_2 (gemeinsam mit vorderem Mobilmikrofonanschluss)	Deaktiviert
7	REAR_D +	GCAI PIN 8: USB D +, GPIO_1 (gemeinsam mit vorderem Mobilmikrofonanschluss)	Deaktiviert
8	GPIO_0	GCAI PIN 10: GPIO	Eingang: GCAI-Erkennung/Leitungswahl

Tabelle wird fortgesetzt...

Rückseitiger Anschluss-Pin	Funktion	Beschreibung	Standard
9	VBUS_2	Zweite USB-5-V-Stromversorgung	Deaktiviert
10	Senden	4-polig RS232 TX	
11	Empfang	4-polig RS232 RX	
12	MIC_REAR_2	2. Mikrofoneingang (MIC_REAR_2), nominale Empfindlichkeit 80 mVrms, Vorspannung 9,3 V	Deaktiviert
13	GND (Masse)	Masse	
14	GPIO_5	NGCH GPIO1 (CPS-konfigurierbar)	Deaktiviert
15	GPI_7	4-stufiger Analogeingang	Aktiviert
16	1_WIRE	GCAI PIN 1: Bidirektionaler serieller Bus	Deaktiviert
17	HANDSET	GCAI PIN 3: Handset-Audioausgang	Parallel zur vorderen GCAI
18	GND (Masse)	GCAI PIN 5: Masse	
19	MIC_REAR_1	Eingang für externes Mikrofon (MIC_REAR_1), angeschlossen an GCAI PIN 7, Nennempfindlichkeit: 80 mVrms, Vorspannung: 9,3 V, (Massekontakt 8 für Aktivierung)	Deaktiviert
20	GPIO_4	GCAI PIN 9: GPIO	Hook-Eingang
21	USB_D +	D + zweiter USB-Anschluss	
22	USB_D -	D - zweiter USB-Anschluss	
23	RTS	4-polig RS232 RTS	
24	CTS	4-polig RS232 CTS	
25	PWR_ON	Eingang zum Einschalten des erweiterten Bedienteils	

Anschluss- und Pin-Belegung des Ethernet-Bedienteils (eCH)

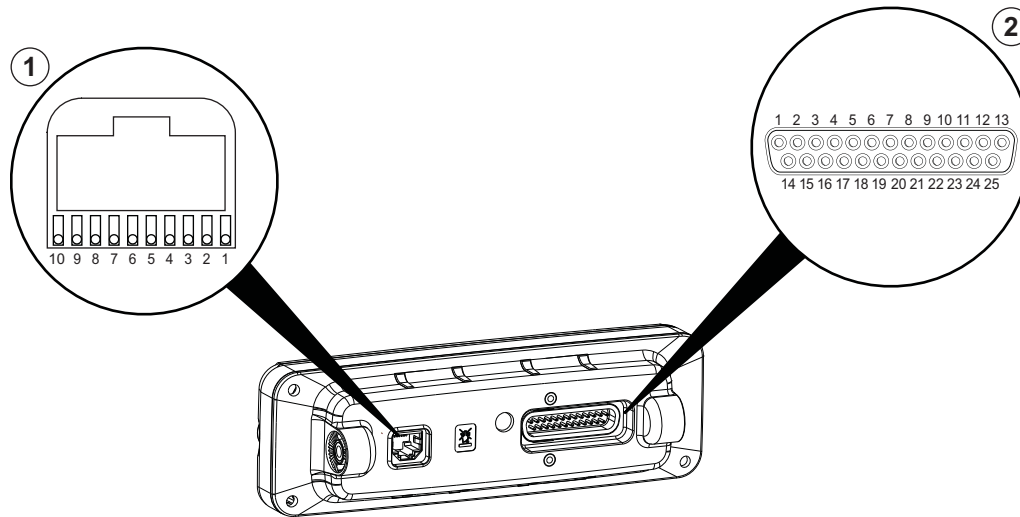
Abbildung 62: Ansicht des Ethernet-Bedienteils (eCH) mit Mobilmikrofonanschluss



Zahl	Beschreibung
1	Ansicht des Mobilmikrofonanschlusses des Ethernet-Bedienteils (eCH)
2	Ethernet-Bedienteil

Tabelle 60: Mobilmikrofonanschluss-Steckverbindung

Mobilmikrofonanschluss-Pin	Standardfunktionen	Alternative Funktionen	USB-Funktionen	RS232-Funktionen
Hinweis: Der Anschluss schaltet automatisch in einen der 5 Modi, je nach automatischer Erkennung des angeschlossenen Zubehörs.				
1	1-WIRE	1-WIRE	1-WIRE	1-WIRE
2	GPIO_3	PTT	GP-Eingang oder -Ausgang	GP-Eingang oder -Ausgang
3	LAUTSPRECHER	LAUTSPRECHER	LAUTSPRECHER	LAUTSPRECHER
4	GPIO_2	GPIO_2-EINGANG	GP-Eingang oder -Ausgang	DATEN-
5	GND (Masse)	GND (Masse)	GND (Masse)	GND (Masse)
6	OPT 5 V	HOHE Impedanz	OPT 5 V	VBUS
7	MIC +	MIC +	MIC +	MIC +
8	GPIO_1	GPIO_1-EINGANG	GP-Eingang oder -Ausgang	DATEN +
9	GPIO_4	HOOK	GP-Eingang oder -Ausgang	GP-Eingang oder -Ausgang
10	GPIO_0	GPIO_0-EINGANG	GP-Ein- und -Ausgang, eingeschaltet	GP-Ein- und -Ausgang, eingeschaltet

Abbildung 63: Ethernet-Bedienteil – Anschlüsse auf der Rückseite

Zahl	Beschreibung
1	10-poliger Ethernet-Anschluss
2	25-poliger Anschluss (Rückseite)

Tabelle 61: 10-poliger Ethernet-Anschluss

Pin	Funktion	Beschreibung
1	FLT_A+ (12 V)	Dies ist die Spannungsversorgung für das Bedienteil von der Stromversorgung oder Batterie.
2	TX+ Ethernet	Ethernet, Übermittlung, positiv, TX+
3	TX- Ethernet	Ethernet, Übermittlung, negativ, TX-
4	RX+ Ethernet	Ethernet, Empfang, positiv, RX+
5	GND (Masse)	Hauptplatine Masse
6	GND (Masse)	Hauptplatine Masse
7	RX- Ethernet	Ethernet, Empfang, negativ, RX-
8	CH_ON_OFF_OUT1_5V	EIN/AUS-Steuerleitung von Transceiver zu Bedienteil
9	CH_ON_OFF_IN1_5V	EIN/AUS-Steuerleitung von Bedienteil zu Transceiver
10	FLT_A+ (12 V)	Dies ist die Spannungsversorgung für das Bedienteil von der Stromversorgung oder Batterie.

Tabelle 62: 25-poliger Anschluss (Rückseite)

Pin	Funktion	Beschreibung
1	GPIO_9	Ausgang: Aktiv für die Dauer eines Anrufs (Autoradio stumm)
2	GPIO_6	Externe PTT für MIC_HF1, Ethernet-Bedienteil GPIO6
3	GPIO_8	Bedienteil GPIO2 (CPS-konfigurierbar)

Tabelle wird fortgesetzt...



Pin	Funktion	Beschreibung
4	GPIO_3	GCAI PIN 2 GPIO
5	VBUS_1B	+5 V-Versorgung, verbunden mit Pin 6 des Mobilmikrofonanschlusses
6	REAR_D -	Mobilteil hinten, Leitung D+
7	REAR_D +	Mobilteil hinten, Leitung D-
8	GPIO_0	GCAI Pin 10 GPIO
9	EXT_PWR_12V	Externe Stromversorgung, 12 V oder 24 V für externe Lautsprecher
10	1_Wire	1-Draht®Bidirektionaler serieller Bus, verbunden mit GCAI-Pin 1 des Mobilmikrofonanschlusses
11	MIC_HF1_GND	Masse für externes Mikrofon MIC_HF1
12	MIC_HF1	Eingang für externes Mikrofon (MIC_HF1), Nennempfindlichkeit: 80 mV RMS, Vorspannung: 9,3 V oder 2,1 V (abhängig vom ausgewählten Zubehör)
13	GND (Masse)	GND (Masse) gemeinsame Masse
14	GPIO_5	Bedienteil GPIO1 (CPS-konfiguriert/aktiviert)
15	GPIO_7	4-stufiger Analogeingang, 33 k bis 5,0 V PU
16	1_WIRE	1-Draht®Bidirektionaler serieller Bus, spezielle Erkennung von IMPRES Visiermikrofon (Eingang MIC_HF1)
17	REAR_AUDIO	Handset mit VOL-gesteuertem Audio-Ausgang, Min RL = 150 Ohm, asymmetrisch, verbunden mit GCAI-Pin 3 des Mobilmikrofonanschlusses
18	GND (Masse)	GND, angeschlossen an GCAI-Pin 5 des Mobilmikrofonanschlusses
19	MIC_MMP_REAR	Mikrofon an der Rückseite, Eingang MIC_MMP_REAR, Eingang 80 mV RMS, Vorspannung 7,7 V, angeschlossen an GCAI-Pin 7 des Mobilmikrofonanschlusses
20	GPIO_4	GPIO, Hook-Eingang, angeschlossen an GCAI-Pin 9 des Mobilmikrofonanschlusses.
21	SPK +	Lautsprecher, Leitung positiv
		 Warnung: Nicht erden!

Tabelle wird fortgesetzt...

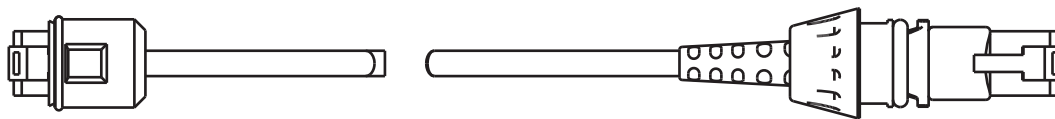
Pin	Funktion	Beschreibung
22	SPK -	Lautsprecher, Leitung negativ  Warnung: Nicht erden!
23	MIC_HF2_GND	Masse für externes MIC_HF2
24	MIC_HF2	Eingang für zweites externes Mikrofon MIC_HF2, Nennempfindlichkeit: 80 mV RMS, CPS-wählbare Vor- spannung: 7,7 V oder 2 V
25	RM_ON	Bedienkopf über Zubehör einschalten

Anschluss der Kabel

Motorradhalterung, TELCO-Kabel

TELCO-Kabel der Motorradhalterung (für den Anschluss des erweiterten Bedienteils zur Motorradmontage an das erweiterte Remote-Modul/erweiterte Modul für Datendienste). Artikelnummer: PMKN4030_, Länge: 2,3 m

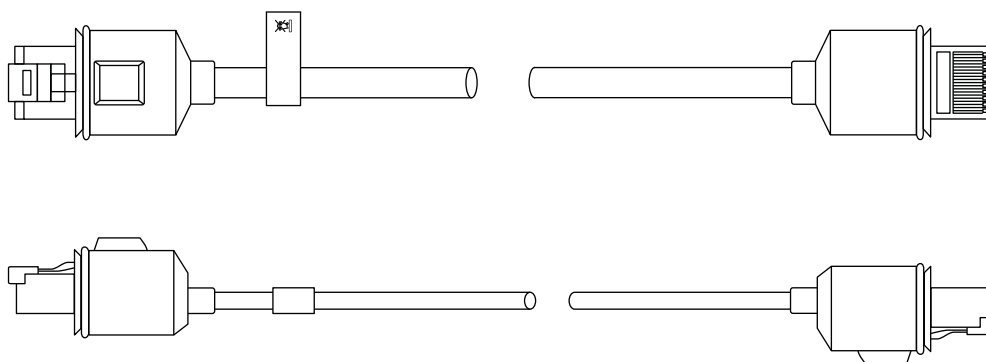
Abbildung 64: Motorradhalterung, TELCO-Kabel



Kabel für Remote-Montage

Kabel für Remote-Montage (für den Anschluss des erweiterten Bedienteils für Remote-Montage am Remote-Modul/Erweiterungsmodul) – RKN4077/8/9, PMKN4020

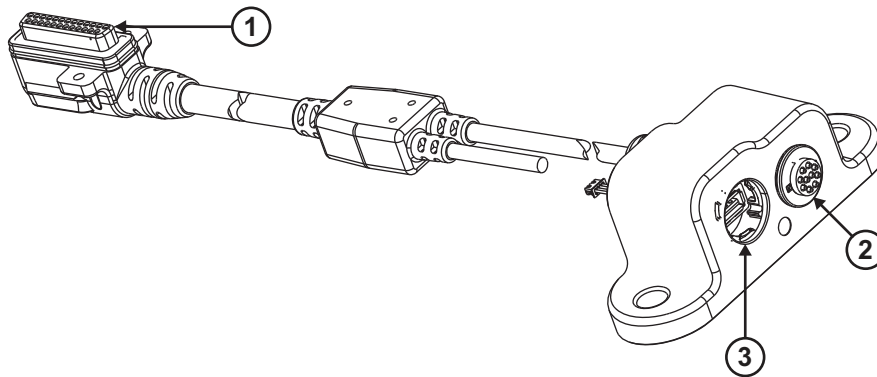
Abbildung 65: Kabel für Remote-Montage



Zubehör-Verlängerungskabel

Zubehör-Verlängerungskabel (zum Anschließen von Zubehör an das erweiterte Bedienteil zur Remote-Montage/erweiterte Bedienteil zur Motorradmontage). Teilenummer: PMKN4029_

Abbildung 66: Zubehör-Verlängerungskabel



Zahl	Beschreibung
1	D-Sub-Anschluss
2	Mobilmikrofonanschluss
3	USB-Anschluss

Tabelle 63: Zubehör-Verlängerungskabel – Anschlüsse

USB-A-Buchse	Signal	Pos. D-Sub 25
1	VBUS	9
2	D-	22
3	D+	21
4	Masse	18
Mobilmikrofonanschluss		
1	1_WIRE	16
2	GPIO_3/OTG-ID/RTSc (PTT)	4
3	Lautsprecher zu Headset	17
4	GPIO_2/D/RxDc	6
5	GND (Masse)	—
6	Opt_5V/VBUS	5
7	Mikrofon +	19
8	GPIO_1/D/TxDc	7
9	GPIO_4/CTSc/HOOK (PTT)	20
10	GPIO_0/Eingeschaltet	8
Individuelle Kabelfarbe		
BRAUN/SCHWARZ	GPIO_9	1
ORANGE/SCHWARZ	GPIO_6	2
GELB/SCHWARZ	GPIO_8	3

Tabelle wird fortgesetzt...

HELLBLAU	GPIO_2	6
TÜRKIS	GPIO_1	7
GRÜN/SCHWARZ	Senden	10
BLAU/SCHWARZ	Empfang	11
GRAU/SCHWARZ	MIC_2	12
BLAU	Masse	13
ROSA/SCHWARZ	GPIO_5	14
SCHWARZ/WEISS	GPI_7	15
USB-A-Buchse	Signal	Pos. D-Sub 25
BRAUN/WEISS	RTS	23
ROT/WEISS	CTS	24
ORANGE/WEISS	Einschalten	25
ROT/SCHWARZ	Headset	17
GELB/WEISS	Masse	—

Anschluss und Pin-Belegung bei Ladestation (Bedienteil in Telefonausführung)

Auf der Rückseite der TSCH-Auflage gibt es zwei Anschlüsse:

- 10-poliger Audio-Anschluss
- RJ50-Anschluss

In den nachstehenden Tabellen finden Sie die Pin-Belegung der beiden Anschlüsse.

Tabelle 64: Pin-Belegung des 10-poligen Audio-Anschlusses – Bedienteil in Telefonausführung

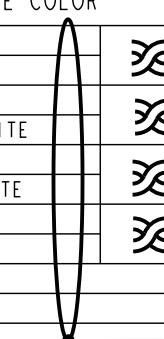
PIN	Funktion	Beschreibung
1	EXT_PWR_12	Dies ist die externe Spannungsquelle (12 V oder 24 V) von der Stromversorgung oder Batterie für externe Lautsprecher
2	PTT2	CPS-konfigurierbare GPIO
3	PTT1	Externe PTT (für HF-Mikrofon 2)
4	EMERGENCY_FT_SW	Notsignalleitung von externem Mikrofon
5	EXT_MIC	Eingangsleitung für externes Mikrofon
6	GND (Masse)	Hauptplatine Masse
7	SPKR+	Ausgang für externen Lautsprecher
8	SPKR-	Ausgang für externen Lautsprecher
9	1-WIRE	Bidirektionaler serieller 1-Wire [®] -Bus zur ID-Identifizierung von Zubehör
10	Analoge Masse	Analoge Masse

Tabelle 65: Pin-Belegung des 10-poligen RJ50-Anschlusses – Bedienteil in Telefonausführung

PIN	Funktion	Beschreibung
1	FLT_A+ (12 V)	Dies ist die Spannungsversorgung für das Bedienteil von der Stromversorgung oder Batterie. Die maximale Stromstärke beträgt 300 mA.
2	ETH_TX_POS	Ethernet, Übermittlung, positiv, TX+
3	ETH_TX_NEG	Ethernet, Übermittlung, negativ, TX-
4	ETH_RX_POS	Ethernet, Empfang, positiv, RX+
5	GND (Masse)	Hauptplatine Masse
6	GND (Masse)	Hauptplatine Masse
7	ETH_RX_NEG	Ethernet, Empfang, negativ, RX-
8	CH_ON_OFF_OUT1_5V	EIN/AUS-Steuerleitung von Transceiver zu Bedienteil
9	CH_ON_OFF_IN1_5V	EIN/AUS-Steuerleitung von Bedienteil zu Transceiver
10	FLT_A+ (12 V)	Dies ist die Spannungsversorgung für das Bedienteil von der Stromversorgung oder Batterie. Die maximale Stromstärke beträgt 300 mA.

Ethernet-Kabel

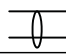
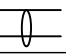


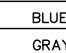
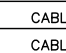
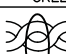

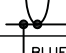

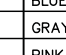
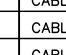




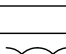
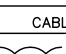






Abbildung 67: Ethernet-Kabel, Pin-Diagramm

CONNECTION						
EEH	PI	WIRE COLOR		AWG SIZE	P2	CH
12V	1	RED		26	1	12V
GND	5	BLACK		26	5	GND
TX+	2	GREEN		26	2	TX+
TX-	3	GREEN/WHITE		26	3	TX-
RX+	4	BLUE		26	4	RX+
RX-	7	BLUE/WHITE		26	7	RX-
GND	6	BROWN		26	6	GND
12V	10	YELLOW		26	10	12V
CH ON/OFF OUT	8	ORANGE		26	8	CH ON/OFF OUT
CH ON/OFF IN	9	GRAY		26	9	CH ON/OFF IN
SHELL		DRAIN		24		CUT

Y-Kabel für das abgesetzte Ethernet-Bedienteil (Zubehör-Erweiterungskabel)

Teilenummer: PMKN4133_





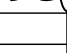
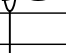






Abbildung 68: RECH Y-Kabel Pin-Diagramm

CONNECTION									
P1	SIGNAL NAME	WIRE COLOR(CABLE 1)	SR MOLD	WIRE COLOR	P2	P3	P4	P5	P6
16	1_WIRE	BLACK 28#	—	CABLE 1/BLACK 28#	1				
4	GPIO_3/PTT(GCAI)	YELLOW 28#	—	CABLE 1/YELLOW 28#	2				
17	REAR_AUDIO	GREEN 28#	—	CABLE 1/GREEN 28#	3				
5	VBUS_1B	WHITE 26#	—	CABLE 1/WHITE 26#	6				
18	MC_MMP_REAR GND	 DRAIN 26#	—	 CABLE 1/DRAIN 26#	5				
19	MIC_MMP_REAR	WHITE 28#	—	CABLE 1/WHITE 28#	7				
6	REAR_D-	 BROWN 28#	—	 CABLE 1/BROWN 28#	4				
7	REAR_D+	 ORANGE 28#	—	 CABLE 1/ORANGE 28#	8				
20	GPIO_4	BLUE 28#	—	CABLE 1/BLUE 28#	9				
—	GPIO_0	GRAY 28#	—	CABLE 1/GRAY 28#	10				
1	GPIO_9	BROWN/BLACK 28#	●—	CABLE 2/BROWN 28#		OPEN			
—	GPIO_6/PTT1	ORANGE/BLACK 28#	●—	CABLE 2/ORANGE 28#		OPEN			
3	GPIO_8/PTT2	YELLOW/BLACK 28#	●—	CABLE 2/YELLOW 28#		OPEN			
10	1_WIRE	GREEN/BLACK 28#	●—	CABLE 2/GREEN 28#		OPEN			
11	MIC_HF1_GND(ANALOG_GND_2)	 PINK 28#	●—	 CABLE 2/PINK 28#		OPEN			
12	MIC_HF1	 PURPLE 28#	●—	 CABLE 2/PURPLE 28#		OPEN			
13	GND	 DRAIN*3 26#	●—	 CABLE 2/DRAIN*3 26#		OPEN			
14	GPIO_5	BLUE/BLACK 28#	●—	CABLE 2/BLUE 28#		OPEN			
15	GPIO_7	GRAY/BLACK 28#	●—	CABLE 2/GRAY 28#		OPEN			
17	REAR_AUDIO	PINK/BLACK 28#	●—	CABLE 2/RED 28#		OPEN			
23	MIC_HF2_GND(ANALOG_GND_1)	 LIGHT BLUE 28#	●—	 CABLE 2/LIGHT BLUE 28#		OPEN			
24	MIC_HF2	 LIGHT GREEN 28#	●—	 CABLE 2/LIGHT GREEN 28#		OPEN			
21	SPKR+	 BROWN 20#	●—	 CABLE 4/BROWN 20#					OPEN
22	SPKR-	 ORANGE 20#	●—	 CABLE 4/ORANGE 20#					OPEN
25	PWR_ON	TAN 28#	●—	CABLE 2/BLACK 28#		OPEN			
9	EXT_PWR_12/24V	 RED 20#	●—	 CABLE 3/RED 20#+FUSE			OPEN		
18	GND	 BLACK 20#	●—	 CABLE 3/BLACK 20#				OPEN	

Y-Kabel für das Bedienteil in Telefonhörerausführung (Zubehör-Erweiterungskabel)

Teilenummer: PMKN4134_

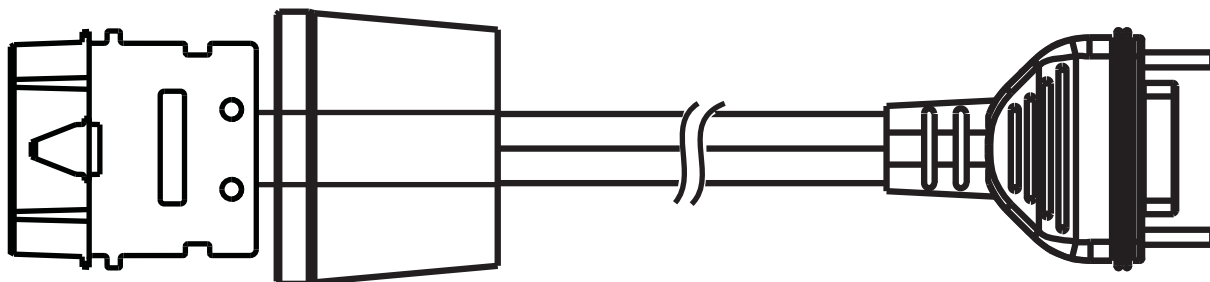
Abbildung 69: TSCH Y-Kabel Pin-Diagramm

CONNECTION									
P1	SIGNAL NAME	WIRE COLOR(CABLE 1)	SR MOLD	WIRE COLOR	P2	P3	P4	P5	
2	PTT2/GPI2	BLACK 28#	●—	CABLE 2/BLACK 28#	OPEN				
3	PTT1/GPI1	GREEN 28#	●—	CABLE 2/GREEN 28#	OPEN				
4	Emergency	BLUE 28#	●—	CABLE 2/BLUE 28#	OPEN				
7	Speaker+	BROWN 20#	 ●—	 CABLE 3/BROWN 20#					OPEN
8	Speaker-	ORANGE 20#	 ●—	 CABLE 3/ORANGE 20#					OPEN
5	Microphone Input	RED 28#	 ●—	 CABLE 2/RED 28#	OPEN				
10	Analog Ground	WHITE 28#	 ●—	 CABLE 2/WHITE 28#	OPEN				
9	1-WIRE	YELLOW 28#	●—	CABLE 2/YELLOW 28#	OPEN				
1	External Power 12/24V	RED 20#	 ●—	 CABLE 4/RED 20#+FUSE		OPEN			
6	Power Ground	BLACK+DRAIN 24#	 ●—	 CABLE 4/BLACK+DRAIN 24#	OPEN		OPEN		

Funkgerät zu Anschlussbox

Artikelnummer: PMKN4101_ , Länge: 6 m

Abbildung 70: Anschlusskabel – Funkgerät zu Anschlussbox



TERMINAL ACCESSORY CONNECTOR
26-Pin AMP

JUNCTION BOX CONNECTOR
20-Pin subD

Pin	From (Signal Name)	Wire Gage	Wire Colour
1	USB_D+		
2	USB_D-		
3	USB_VBUS		
4	GND (USB)		
5	1 WIRE APM		
6	KEYFAIL/FLASH	26	GREY
7	SWB+	20	RED
8	GND (PWR, GPIO, VIP)	20	WHITE
9	SPEAKER-	20	BLUE
10	SPEAKER+	20	BROWN
11	TX_AUDIO	26	TAN
12	AN_GND		DRAIN X2
13	MIC1	26	RED
14	RX_AUDIO	26	WHITE/BLACK
15	MIC2		
16	GND (MIC)		
17	EXT_PTT	26	YELLOW/BLACK
18	SCI_DTR	26	GREEN/WHITE
19	HOOK/AUDIO PA	26	BLUE/YELLOW
20	SCI_TXD	26	GREEN
22	SCI_RXD	26	VIOLET
21	RS232_RTS	26	ORANGE
24	RS232_CTS	26	RED
23	EMERGENCY	26	GREEN/BLACK
25	IGNITION	26	PINK
26	EXT_ALARM	26	BLUE/WHITE

Pin	To (Signal Name)
19	KEYFAIL/FLASH
6	SWB+
4	D_GND
3	SPKR-
1	SPKR+
5	TX_AUDIO
9	AUDIO_GND
11	EXT_MIC
2	RX_AUDIO
22	EXT_PTT
16	DTR
7	HOOK
8	AUDIO_PA_ENA
13	RX (UART TX)
23	TX (UART RX)
18	RTS
14	CTS
21	EMERGENCY
15	IGNITION
20	EXT_ALARM

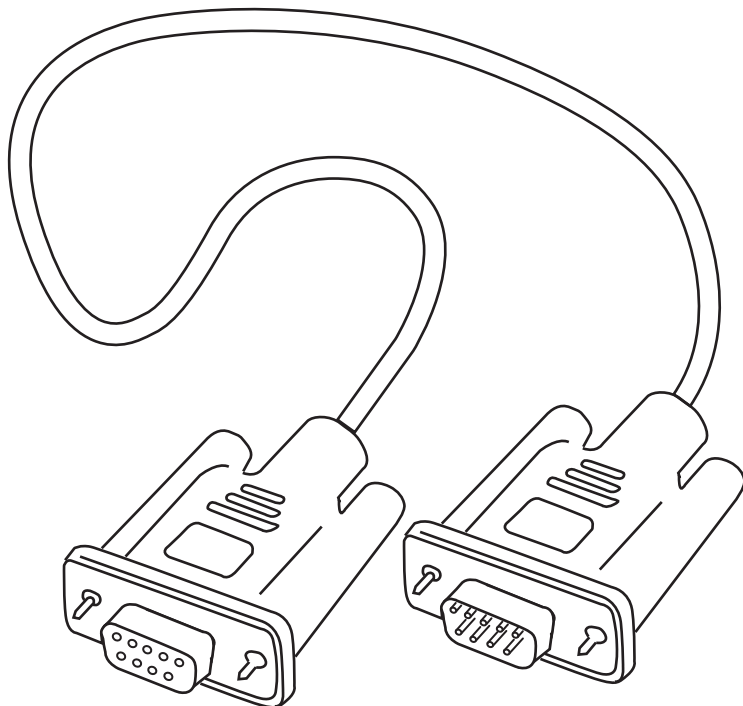


Hinweis: Die Beschriftung der Tastatur des Bedienteils kann je nach kunden-/länderspezifischen Anforderungen variieren.

Erweitertes Modul für Datendienste des Funkgeräts zu Datengerät

Dabei handelt es sich um ein standardisiertes RS232-Kabel (nicht von Motorola geliefert). Verwenden Sie den 9-poligen Anschluss an der Vorderseite des erweiterten Moduls für Datendienste des Funkgeräts, um dieses Kabel mit dem Datengerät zu verbinden.

Abbildung 71: RS232-Standardkabel



Hinweis: Das erweiterte Modul für Datendienste verfügt über die Schutzklasse IP54. Um die IP54-Versiegelung beim Anschluss eines RS232-Datenkabels beizubehalten, vergewissern Sie sich, dass ein IP54 geeignetes Kabel verwendet wird. (Beispiel: ROLINE AT-Modemkabel ST-BU 1,8 m, Bestellnr. 11.01.4518).

Funkgerät mit erweitertem Modul für Datendienste zu Handmikrofon

Das Verbindungskabel GMKN4072_ ersetzt das vorhandene Wendelkabel des Handmikrofons (Motorola-Teilenummer: GMMN4063_).



Hinweis: Das GMKN4072_ ist ursprünglich durch einen 20-poligen-Anschluss terminiert. Verwenden Sie zum erneuten Verkrimpen den Zubehörschlusssatz PMLN5072_.

Vorgang

Schließen Sie die gecrimpten Adern des Kabels am 26-poligen Zubehörschluss an (geliefert mit Lautsprecher RSN4002_), und stecken Sie ihn dann in den 26-poligen Anschluss auf der Rückseite des Funkgeräts ein. Am anderen Ende ist ein Anschluss, der in die erste Buchse des Mikrofons passt.

Anschlüsse herstellen

Verbinden Sie zunächst die vier freiliegenden Drähte mit dem 26-poligen Zubehörschluss wie in Abbildung 1 dargestellt, und stecken Sie den Klemmenblock dann in die 26-polige Zubehörschleuse auf der Rückseite des Funkgeräts. Der Klemmenblock wird auf den 26-poligen Zubehörschluss gesteckt (die vier äußeren Pins nicht verbunden).

Vorhandenes gewendeltetes Kabel entfernen

Vorgang:

1. Drehen Sie die Manschette am Ansatz des Mikrofons gegen den Uhrzeigersinn bis zum Anschlag.
2. Ziehen Sie das Kabel heraus, und ziehen Sie es weg vom Ansatz des Mikrofons.
3. Installieren Sie das neue gewendeltete Kabel GMKN4072_, indem Sie wie bei dessen Entfernen, aber in umgekehrter Reihenfolge vorgehen.

Artikelnummer: GMKN4072_, Länge: 65 cm

Abbildung 72: Pin-Belegung des Kabels vom Zubehöranschluss zum Mikrofongehäuse

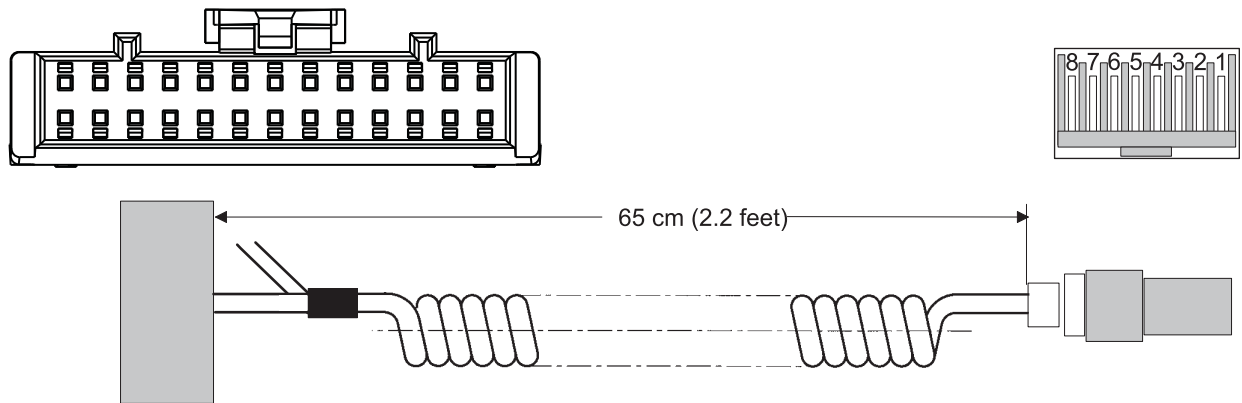


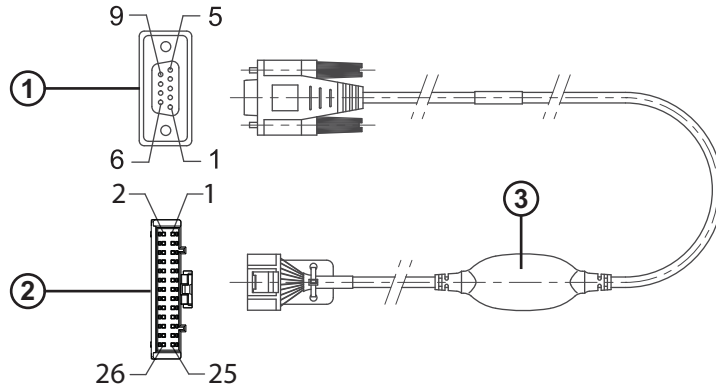
Tabelle 66: Pin-Belegung des Kabels vom Zubehöranschluss zum Mikrofongehäuse

Zum Zubehöranschluss (links)		Zum Mikrofongehäuse (rechts)	
1	NC	1	NC
...	...	2	NC
11	NC	3	PTT (weiß)
12	GND (schwarz)	4	EXT_MIC (blau)
13	EXT_MIC (blau)	5	GND (schwarz)
14	NC	6	HOOK (rot)
15	NC	7	NC
16	NC	8	NC
17	EXT_PTT (weiß)		
18	NC		
19	HOOK (rot)		
20	NC		
...	...		
26	NC		

Funkgerät zu Datengerät: Aktives Datenkabel

Das aktive Datenkabel PMKN4104_ bietet eine 5-polige RS232-Schnittstelle (beispielsweise RxD, TxD, CTS, RTS, DTR) für die Verbindung eines Computers und eines Mobilfunkgeräts. Das Kabel muss mit dem 26-poligen Zubehöranschluss auf der Rückseite des Funkgeräts und dem 9-poligen Anschluss eines Datengeräts (z. B. PC, Laptop, Konsole) verbunden werden. Das aktive Datenkabel PMKN4104_ ist nicht reparaturfähig. Bestellen Sie ggf. ein Ersatzkabel: Länge: 2,0 m.

Abbildung 73: Aktives Datenkabel PMKN4104_



Zahl	Beschreibung
1	Zum Computer
2	Zum Zubehöranschluss des Funkgeräts
3	Schnittstellenbox des Funkgeräts

Tabelle 67: Pin-Belegung – Aktives Datenkabel PMKN4104_

26-poliger Anschluss	Funktion	Farbe
17	Ext PTT (+5 V)	Schwarz
8	GND_MAIN	Gelb
7	SWB+	Braun
18	DTR	Rot
24	CTS	Weiß
21	RTS	Blau
20	TxD	Grau
22	RxD	Hellbraun

Kapitel

6

Installation von externen Geräten

Installation der Antenne am Fahrzeug

Betrieb des mobilen Funkgeräts und Belastung durch elektromagnetische Strahlung

Um sicherzustellen, dass das Funkgerät die optimale Leistung bringt und die Belastung durch die elektromagnetische Strahlung im Funkverkehr den in diesem Dokument erwähnten Richtlinien entspricht, senden Sie nur dann, wenn Personen innerhalb und außerhalb des Fahrzeugs den Mindestabstand zu der ordnungsgemäß installierten und extern angebrachten Antenne einhalten. Die folgende Tabelle führt die Mindestabstände auf, die bei verschiedenen Funk-Nennleistungen einzuhalten sind.

Tabelle 68: Nennleistung und Abstand

Nennleistung Mobilfunkgerät (siehe Hinweis unten)	Seitlicher Mindestabstand vom Fahrzeug
Weniger als 7 Watt	20 cm
7 bis 14 Watt	30 cm
15 bis 39 Watt	60 cm
40 bis 110 Watt	90 cm



Hinweis: Wenn Sie die Nennleistung Ihres Funkgeräts nicht kennen, wenden Sie sich unter Angabe der Modellnummer, die sich auf dem Geräteetikett befindet, an Ihren Motorola-Ansprechpartner oder -Händler. Wenn Sie die Nennleistung nicht bestimmen können, sollte der Abstand zum Fahrzeugkörper mindestens 90 cm betragen.

Antennenstandort wählen

Vorgang:

1. Installieren Sie die Fahrzeugantenne außerhalb des Fahrzeugs und in Übereinstimmung mit:
 - den Anforderungen des Antennenherstellers/-lieferanten
 - den Anforderungen des Fahrzeugherstellers
2. Wenn Sie den Kofferraumdeckel für die Installation verwenden, vergewissern Sie sich, dass dieser mithilfe von Erdungsbändern zwischen Kofferraumdeckel und Karosserie geerdet ist.
3. Vergewissern Sie sich, dass das Antennenkabel einfach zum Funkgerät hin verlegt werden kann. Stellen Sie sicher, dass das Antennenkabel separat verlegt wird und nicht parallel zu anderen Kabeln des Fahrzeugs oder des mobilen Funkgeräts verläuft.



Vorsicht: Stellen Sie zudem sicher, dass das Stromversorgungskabel nicht parallel zur Antenne verläuft. Interferenzen können dazu führen, dass das Funkmodul nicht richtig arbeitet.

4. Vergewissern Sie sich, dass der Installationsort der Antenne gemäß den Anforderungen des Fahrzeugherstellers frei von elektrischen Interferenzen ist.
5. Der Abstand zwischen der Antenne und dem Funkgerät/Zubehör sollte mindestens 91,5 cm betragen.
6. Stellen Sie sicher, dass die Antenne des Mobilfunkgeräts mindestens 30 cm entfernt von den anderen Antennen am Fahrzeug montiert wird.



Hinweis: Wenn in der näheren Umgebung der Antenne zwei Metallstücke gegeneinander reiben (wie z. B. Sitzfedern, Schalthebel, Kofferraumdeckel, Motorhaube, Auspuffrohr usw.), kann dies zu erheblichen Empfangsstörungen führen.

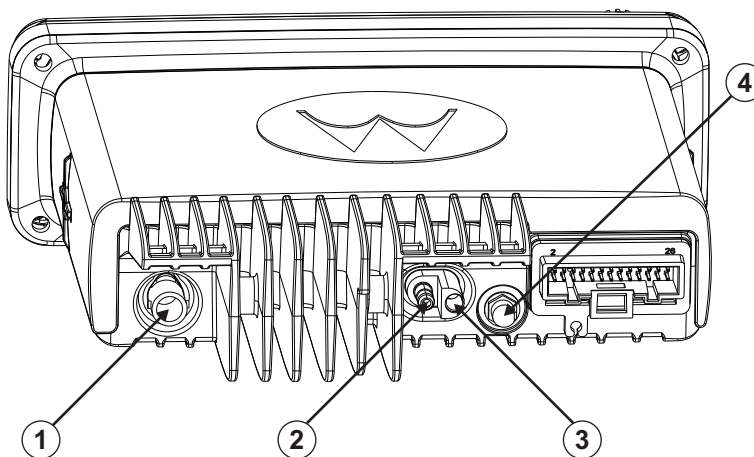
7. Wenn eine GPS oder eine kombinierte TETRA-/GPS-Antenne benutzt wird, vergewissern Sie sich, dass vom Antennenstandort aus freie Sicht auf den Himmel besteht und dass die Antennenbasis, die den GPS-Empfänger beinhaltet, nicht mit metallischem oder funkfrequenzabsorbierendem Material bedeckt ist.
8. Installieren Sie die verdeckte glasmontierte Antenne nur mittig an der vorderen oder hinteren Windschutzscheibe, sodass der Abstand zwischen Antenne und Personen außerhalb des Fahrzeugs oder Fahrzeuginsassen mindestens 11 cm (30 cm für 350 MHz und 450 MHz) beträgt. Nicht an den Seitenfenstern befestigen. Dies dient der Einhaltung der ICNIRP HF-Funkwellenbelastungsgrenzwerte.
9. Installieren Sie die Stoßstangenantenne so, dass der Abstand zwischen Antenne und Personen außerhalb des Fahrzeugs oder Fahrzeuginsassen mindestens 11 cm (30 cm für 350 MHz und 450 MHz) beträgt. Dies dient der Einhaltung der ICNIRP HF-Funkwellenbelastungsgrenzwerte.

Antenne installieren

Vorgang:

1. Montieren Sie die Antenne gemäß den Installationsanweisungen für den Antennensatz. Verlegen Sie das Koaxialkabel zu der Stelle, wo die Antenne montiert werden soll. Kürzen Sie das Kabel gegebenenfalls, und installieren Sie den Kabelanschluss.
2. Verbinden Sie den Antennenkabelanschluss mit dem Antennenanschluss an der Rückseite des Geräts.
3. Verbinden Sie gegebenenfalls die GPS-Antenne mit dem GPS-Antennenanschluss PMKN4114_ an der Rückseite des Funkgeräts.

Abbildung 74: Anschlüsse auf der Rückseite des Funkgeräts



Zahl	Beschreibung
1	BNC-Antennenanschluss
2	Akku +
3	Akku -
4	GPS-Antenne SMA-Anschluss

Installation des Funkgeräts durchführen

Vorgang:

1. Befestigen Sie die Mikrofonhalterung an einer Stelle in der Nähe des Funkgeräts, auf die Sie bequem zugreifen können.
2. Wenn Ihr Mikrofon über einen Telefonstecker am Ende seines Kabels verfügt, stecken Sie ihn in die 10-polige TELCO-Buchse der Anschlussbox.



Vorsicht:

Verwenden Sie NIE den 10-poligen TELCO-Anschluss des erweiterten Moduls für Datendienste oder des erweiterten Remote-Moduls, um ein Mikrofon anzuschließen.

3. Schließen Sie das Stromversorgungskabel an den Stromversorgungs-Steckverbinder des Funkgeräts an.



Hinweis:

Motorola bietet ein umfassendes Sortiment an Antennen und zugehörigen Koaxialkabeln, die mit korrekten Anschlüssen für die Verwendung mit dem mobilen Sprechfunkgerät ausgestattet sind. Falls jedoch ein Kabel oder Steckverbinder neu installiert oder repariert werden muss, finden Sie Informationen zur Auswahl und Installation von Ersatz-Anschlüssen und Kabeln bei den bekanntesten Herstellern von Anschlüssen und Kabeln, z. B. Radiall, Huber und SUHNER, Samtec.

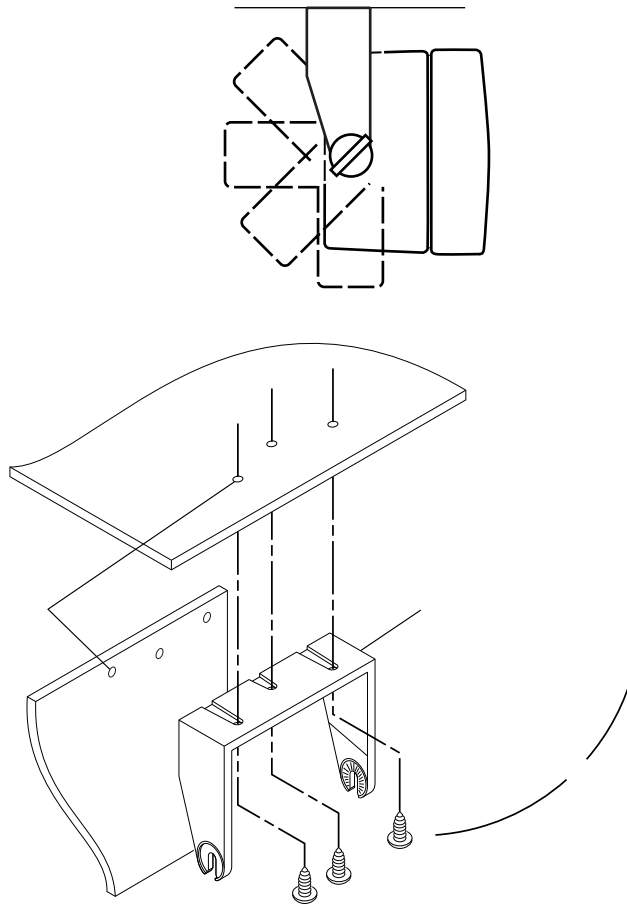
Der BNC-Anschluss sollte normalerweise eine Crimpstecker-Variante sein, dasselbe gilt für SMA- oder FME-Anschlüsse, die für GPS benutzt werden. Koaxialkabel sollten abgeschirmt und verlustarm sein. Weitere Informationen zu den spezifischen Kabeltypen und/oder Anschlüssen finden Sie in den jeweiligen Datenblättern der Antennen. Darüber hinaus finden Sie in den technischen Daten der TETRA-Schnittstelle weitere, für mobile Sprechfunkgeräte relevante Informationen.

Externen Lautsprecher installieren

Vorgang:

1. Entfernen Sie den Lautsprecher von der Halterung, indem Sie die beiden Flügelschrauben lösen.
2. Wählen Sie einen Platz aus, an dem Sie den Lautsprecher montieren möchten. Achten Sie bei der Montage der Halterung am Mittelunnel darauf, dass das Getriebegehäuse nicht beschädigt wird.
3. Markieren Sie die Position der Montagelöcher mithilfe der Halterung.
4. Können Sie die markierten Punkte an, und bohren Sie an jeder Stelle ein 4 mm großes Loch.

Abbildung 75: Externe Lautsprecherhalterung



FL0830253-O

5. Montieren Sie die Halterung mit den mitgelieferten Schrauben.
6. Stecken Sie den Lautsprecher in die Halterung, und befestigen Sie ihn mithilfe der beiden Flügelschrauben.
7. Stecken Sie den Zubehörstecker für externe Lautsprecher in den Zubehöranschluss des Funkgeräts.

Anhang

A

Service-Informationen - EIA

Wartungsaufträge werden von zwei Service-Centern bearbeitet: dem Europäischen Servicezentrum für Funkgeräte (ERSC) und dem European Systems and Components Centre (ESCC). Dieser Abschnitt enthält Angaben zu Service-Centern in Europa, dem Nahen Osten und Afrika.

Europäisches Servicezentrum für Funkgeräte (ERSC)

Das ERSC stellt telefonisch technischen Kundendienst bereit, um Kunden bei der Lösung technischer Probleme und der zügigen Wiederherstellung ihrer Systeme zu unterstützen. Das Center bearbeitet Wartungsaufträge für Geräte und Zubehör. Das Team aus hochqualifizierten Fachkräften steht für Kunden mit gültigen ERSC-Serviceverträgen zur Verfügung. Für weitere Informationen oder um festzustellen, ob Ihr aktueller Servicevertrag diese Leistungen einschließt, wenden Sie sich an den örtlichen Kundendienst.

Verwenden Sie folgende Details zum zentralen europäischen EIA-Call Center, um ERSC zu kontaktieren:

E-Mail: ersc@motorolasolutions.com .

Telefon: +49 (30) 66 86 1555

European Systems and Components Centre (ESCC)

Das ESCC bietet einen Reparatordienst für Infrastrukturgeräte. Kunden, die den Reparaturservice in Anspruch nehmen möchten, müssen sich zuvor an die Kundeninformation wenden, um eine Warenrücksendungsnummer zu erhalten. Sofern keine anders lautenden Anweisungen gegeben wurden, sind die Geräte an folgende Adresse zu senden:

Motorola GmbH, European Systems Component Center, Am Borsigturm 130, 13507 Berlin, Deutschland

E-Mail: escc.admin@motorolasolutions.com.

Telefon: +49 (30) 66 86 1404

Mo. - Fr. 08:00 Uhr - 18:00 Uhr (MEZ)

Kundendienstinformationen

Telefonnummer des zentralen europäischen EIA-Call Centers für Deutschland: 6950070204

Teilidentifizierung und Bestellung

Für Hilfe bei der Identifizierung nicht aufgeführter Ersatzteile wenden Sie sich an die Kundendienstabteilung der örtlichen Motorola-Gebietsvertretung.

Ersatzteile, Kits und Baugruppen können Sie direkt bei Ihrer lokalen Motorola-Vertriebsorganisation oder über <http://emeaonline.motorolasolutions.com> anfordern.

EIA-Prüfmittel-Support

Weitere Informationen zu Support- und Serviceleistungen zur Motorola-Testausrüstung erhalten Sie bei der Kundendienstabteilung Ihrer örtlichen Motorola-Gebietsvertretung oder unter <http://emeaonline.motorolasolutions.com>.

Kunden in Deutschland wenden sich bitte an das Ausrüstungs-Service-Team in Deutschland:

Tel.: +49 (0) 6128 702179

Fax: +49 (0) 6128 951046

Aktuelle Handbücher

Die neuesten Versionen der technischen Handbücher als Download finden Sie unter <http://emeaonline.motorolasolutions.com>.

Feedback

Falls Sie Anmerkungen oder Anregungen haben, oder ein Problem im Zusammenhang mit einer Motorola-Veröffentlichungen melden möchten, senden Sie eine E-Mail an esc.admin@motorolasolutions.com.

Anhang

B

Service-Informationen – AME

Dieser Abschnitt enthält Angaben zu Service-Centern im Asien/Pazifikraum.

Technischer Support

Zur Unterstützung der Händler und Wiederverkäufer bei eventuellen Fehlfunktionen steht ein technischer Support zur Verfügung. Sofern möglich, sollte der erste Kontakt telefonisch erfolgen. Wenn Sie sich an den Technischen Support von Motorola wenden, sollten Sie die Modellnummer des Produkts sowie die Seriennummer zur Hand haben.

Weitere Unterstützung durch Motorola

Sie können sich auch über folgende Website an den Helpdesk wenden: <http://www.motorolasolutions.com/tetra>. Wenn für ein Gerät weitere Tests, Informationen und/oder Details zur Problemlösung auf Komponentenebene oder Kundendienstleistungen erforderlich sind, als diese normalerweise auf Basisebene durchgeführt werden, senden Sie das Funkgerät an eines der Motorola Service Center, die in der folgenden Tabelle aufgelistet sind:

Tabelle 69: Service-Informationen — Telefonnummern und Adressen von Motorola Service Centern in Asien und im Pazifikraum

Land	Telefonnummer	Adresse
Singapur	+65-6352-6383	Motorola Solutions Singapore Pte. Ltd, c/o Azure Engineering, 49 Jalan Pemimpin, #03-11 APS Industrial Building, Singapur 577203 Kontakt: Mareen Phua E-Mail: mareen@azure.com.sg Anfragen: Tay Yong Hock E-Mail: yonghock.tay@motorolasolutions.com
Malaysia	+603-7809-0000	Motorola Solutions Sdn. Bhd. Level 14, Persoft Tower, Anz. 68, Pesiaran Tropicana, 47410 Petaling Jaya, Selangor Darul Ehsan, Malaysia Kontakt: Koh Tiong Eng E-Mail: A21001@motorolasolutions.com
Indonesien	+62-21-3043-5239	PT. Motorola Solutions Indonesia 30th Floor, Gedung BRI II, Suite 3001, Jl. Jend. Sudirman Kav. 44-46,

Tabelle wird fortgesetzt...

Land	Telefonnummer	Adresse
		Jakarta 10210, Indonesien Kontakt: Eko Haryanto E-Mail: Eko.Haryanto@motorolasolutions.com
Thailand	Tel: +662-653-220 Fax: +668-254-5922	Motorola Solutions (Thailand) Ltd. 142 Two Pacific Place Suite 2201, 3220 Sukhumvit Road, Klongtoey, Bangkok 10110 Kontakt: Nitas Vatanasupapon E-Mail: Nitas@motorolasolutions.com
Indien	+91-9844218850	Motorola Solutions India Pvt. Ltd. C/o Communication Test Design India Private Limited, #4, 5 Maruthi Industrial Estate, Rajapalya, Hoodi Village, Bangalore – 560048, Indien Kontakt: K. Umamaheswari E-Mail: umamaheshwari@motorolasolutions.com
China	+86-10-8473-5128	Motorola Solutions (China) Co. Ltd. Anz. 1 Wang Jing East Road, Chao Yang District, Peking, 100102, VR China Kontakt: Sophy Wang E-Mail: C18170@motorolasolutions.com
(Hongkong)	852-2966-4823	Motorola Solutions Asia Pacific Ltd. Unit 1807-1812, 18/F, Two Harbourfront, 22 Tak Fung Street, Hungghom, Kowloon, Hongkong Kontakt: Judy Leung E-Mail: Judy.Leung@motorolasolutions.com
Philippinen	Tel: +632 858-7500 Fax: +632 841-0681	Motorola Communications Philippines, Inc. Unit 2102, One Global Place Building, 5th Ave., Bonifacio Global City, Taguig, Philippines 1634. Kontakt: Arthur Nieves E-Mail: Arthur.Nieves@motorolasolutions.com
Südkorea	+822-3497-3649	Motorola Solutions Korea, Inc. 9th Floor, Hibrand Building, 215, Yangjae-Dong, Seocho-Gu,

Tabelle wird fortgesetzt...

Land	Telefonnummer	Adresse
		Seoul, 137-924, Südkorea Kontakt: KS Kwak E-Mail: r45321@motorolasolutions.com
Taiwan	+886-2-8729 8000	Motorola Solutions Taiwan, Ltd. 8F, No. 9, Songgao Rd., Taipei 110, Taiwan (Republik China) Kontakt: Michael Chou E-Mail: fpe239@motorolasolutions.com
Australien	+613-9847-7725	Motorola Solutions Australia Pty. Ltd. 10 Wesley Court, Tally Ho Business Park, East Burwood Victoria 3151, Australien E-Mail: servicecentre.au@motorolasolutions.com

Einzelteile

Einige Ersatzteile und/oder Produktinformationen können direkt bestellt werden. Teile mit vollständiger Motorola-Artikelnummer sind bei der Motorola Radio Aftermarket and Accessory Division (AAD) erhältlich. Wenn einem Teil keine Artikelnummer zugewiesen ist, kann dieses in der Regel nicht bei Motorola erworben werden. Wenn ein Teilesatz nicht in der Liste enthalten ist, sind für diesen keine Komponenten erhältlich, die vom Benutzer ausgetauscht werden können.

Die CPS-Software verfügt über keine Funktion zur Kalibrierung des Funkgeräts. Eine Kalibrierung des Funkgeräts kann nur werksseitig oder von einem autorisiertem Motorola-Reparaturzentrum vorgenommen werden. Der Austausch von Komponenten kann die Funkgerätkalibrierung beeinflussen und darf nur von einem autorisierten Motorola-Reparaturzentrum durchgeführt werden.

Geben Sie bei der Bestellung von Teilen und Informationen die vollständige Motorola-Identifikationsnummer an. Richten Sie sämtliche Teilebestellungen direkt an Ihre lokale AAD-Niederlassung. Siehe die aktuelle Preisliste.

Teilidentifizierung und Bestellung

Anfragen zur Identifizierung von nicht aufgeführten Ersatzteilen richten Sie bitte an die Kundenbetreuung der lokalen Motorola-Gebietsvertretung. Bestellungen für Ersatzteile, Bausätze und Geräte richten Sie bitte direkt an die lokale Vertriebsorganisation von Motorola. Bestellungen können auch über Motorola Online (Extranet) getätigt werden.

Anhang

C

Service-Informationen – Nord-, Mittel- und Südamerika

Dieser Abschnitt enthält Angaben zu Service-Centern in Lateinamerika und in der Karibik.

Technischer Support

Um technischen Support anzufordern, gehen Sie zu <https://businessonline.motorolasolutions.com>, **Contact Us**.

Einige Ersatzteile und/oder Produktinformationen können direkt bestellt werden. Teile mit vollständiger Motorola-Artikelnummer sind bei Motorola erhältlich. Wenn einem Teil keine Artikelnummer zugewiesen ist, kann dieses in der Regel nicht bei Motorola erworben werden. Ein Sternchen (*) weist darauf hin, dass das Teil nur von einer Motorola-Station repariert und gewartet werden kann. Wenn ein Teilesatz nicht in der Liste enthalten ist, sind für diesen keine Komponenten erhältlich, die vom Benutzer ausgetauscht werden können.

Garantie und Reparaturen

Tabelle 70: Kundendienstinformation – Telefonnummern und Adressen von Servicezentren für Funkgeräte in Lateinamerika

Land	Telefonnummer	Adresse
Kolumbien	571- 376-6990	MOTOROLA DE COLOMBIA SERVICE CENTRE Torre Banco Ganadero Carrera 7 No. 71-52 Torre B piso 13 Oficina 1301 Bogota
Mexiko	5252576700	MOTOROLA DE MEXICO SERVICE CENTRE Bosques de Alisos #125 Col. Bosques de las Lomas CP 05120 Mexico DF

Einzelteile

Wenden Sie sich zur Bestellung von Teilen in Lateinamerika und der Karibik an Ihren lokalen Motorola-CGISS-Vertreter.

Tabelle 71: Kundendienstinformation – Telefonnummern und Adressen von Motorola-Servicezentren in Lateinamerika

Land	Telefonnummer	Adresse
Argentinien	5411-4317-5300	MOTOROLA DE ARGENTINA Ave. del Libertador 1855

Tabelle wird fortgesetzt...

Land	Telefonnummer	Adresse
		B1638BGE, Vicente Lopez Buenos Aires
Brasilien	5511-3847-668	MOTOROLA DO BRASIL LTDA. Av. Chedid Jafet 222 Bloco D Conjuntos 11,12,21,22 E 41 Condominio Millennium Office Park 04551-065- Vila Olimpia, Sao Paulo
Chile	562-338-9000	MOTOROLA CHILE Ave. Nueva Tajamar 481 Edif. World Trade Center Of. 1702, Torre Norte Las Condes Santiago
Kolumbien	571-376-6990	MOTOROLA DE COLOMBIA, LTDA. Carrera 7 #71-52 Torre A, Oficina 1301 Bogotá
Costa Rica	506-201-1480	MOTOROLA DE COSTA RICA Parque Empresarial Plaza Roble Edificio El Portico, 1er Piso Centro de Negocios Internacional Guachepelin, Escazu San Jose
Ecuador	5932-264-1627	MOTOROLA DEL ECUADOR Autopist Gral. Rumiñahui, Punte 2 Conjunto Puerta del Sol Este-Ciudad Jardin Pasa E, Casa 65 Quito
Mexiko	52-555-257-6700	MOTOROLA DE MEXICO, S.A. Calle Bosques de Alisos #125 Col. Bosques de Las Lomas 05120 México D.F.
Peru	511-211-0700	MOTOROLA DEL PERU, S.A. Ave. República de Panama 3535 Piso 11, San Isidro Lima 27
USA	954-723-8959	MOTOROLA SOLUTIONS, INC. Latin American Countries Region 789 International Parkway Sunrise, FL 33325

Tabelle wird fortgesetzt...

Land	Telefonnummer	Adresse
Venezuela	58212-901-4600	MOTOROLA DE LOS ANDES C.A. Ave. Francisco de Miranda Centro Lido, Torre A Piso 15, El Rosal Caracas, 1060

Anhang

D

Garantie und Service-Support

Motorola bietet eine langfristige Unterstützung für seine Produkte. Dieser Support umfasst den vollständigen Austausch und/oder die Reparatur des Produkts während des Garantiezeitraums und Service/Reparatur oder Support für Ersatzteile außerhalb des Garantiezeitraums. Wenden Sie sich vor der Rücksendung von Funkgeräten an die zuständige Motorola-Garantieannahmestelle oder Ihren Motorola-Händler, -Lieferanten oder -Wiederverkäufer. Allen zurückgesandten Produkten muss ein Formular zum Garantieanspruch beigelegt werden, das über den Kundendienstvertreter oder die Extranet-Site Motorola Online (MOL) oder Ihren Motorola-Händler, -Lieferanten oder -Wiederverkäufer bezogen werden kann.

Garantiezeitraum und Anweisungen zur Rückgabe

Die Geschäftsbedingungen der Garantie finden Sie vollständig dargelegt im Vertrag des Motorola-Händlers, -Lieferanten oder -Wiederverkäufers. Diese Bedingungen können sich von Zeit zu Zeit ändern, sodass die folgenden Hinweise als Leitlinie zu betrachten sind.

In Fällen, in denen durch die Garantie die Rückgabe des Produkts zum Austausch oder zur Reparatur abgedeckt ist, sollte eine Prüfung des Produkts erfolgen, bevor die Rücksendung an Motorola erfolgt. Damit soll sichergestellt werden, dass das Produkt korrekt programmiert wurde oder keine Schäden aufweist, die nicht den Garantiebedingungen unterliegen.

Vor der Rücksendung eines Geräts an die zuständige Motorola-Garantieannahmestelle wenden Sie sich an die Abteilung Kunden-Ressourcen (siehe folgende Seiten). Allen zurückgesandten Produkten muss ein Formular zum Garantieanspruch beigelegt werden, das über den Kundendienstvertreter bezogen werden kann. Die Rücksendung der Produkte sollte in der Originalverpackung oder einer ordnungsgemäßen Verpackung erfolgen, um sicherzustellen, dass das Produkt während des Transports nicht beschädigt wird.

Nach Ablauf des Garantiezeitraums

Nach Ablauf des Garantiezeitraums bietet Motorola für die Fortsetzung des Supports seiner Produkte zwei Möglichkeiten:

- Die regionalen Servicezentren für Motorola-Funkgeräte bieten einen Reparaturservice für Endbenutzer und Händler zu wettbewerbsfähigen Preisen.
- AAD liefert einzelne Teile und Module, die von solchen Händlern erworben werden können, die technisch dazu in der Lage sind, eine Fehleranalyse und Reparatur durchzuführen.

Anhang

E

Produktspezifische Informationen für digitale Mobilfunkgeräte vom Typ MT953CG

Dieser Abschnitt gibt Service-Mitarbeitern einen Überblick über produktspezifische Hinweise. Diese enthalten wichtige Sicherheitshinweise, die eingehalten werden müssen, um Gefahrensituationen zu vermeiden, die bei Betrieb, Installation, Wartung und Lagerung des Geräts auftreten können. Dieses Funkgerät erfüllt die jeweils geltenden Sicherheitsstandards, wenn es wie beschrieben eingesetzt wird. Befolgen Sie unbedingt die Sicherheitshinweise und die Hinweise zum Betrieb.

Tabelle 72: Elektrische Bemessungsgrößen des Geräts

Nennspannung	12 Volt Gleichstrom
Nennspannungsbereich	10,8 mV bis 15,6 V Gleichstrom
Nennstrom	MT953CG (380-430 MHz): 4 A bei 10 Watt-HF-Leistung Bitte beachten Sie bei der Planung der Installation, dass ca. 4,5 A während des PTT-Betriebs verbraucht werden und auch bei ausgeschaltetem Gerät ein Stromverbrauch von 30 mA (nicht-Ethernet)/90 mA (Ethernet) besteht.
Frequenzbereich des Senders	TMO: 380-430 MHz (MT953CG) DMO: 380-430 MHz (MT953CG)
Frequenzbereich des Empfängers	380-430 MHz (MT953CG)


Tabelle 73: Normale Ladebedingungen

HF-Nennleistung	10 Watt
Audio-Nennleistung	10 Watt bei 4 Ohm; 6 Watt bei 8 Ohm
Antennenimpedanz	50 Ohm
Betriebstemperatur Bereich	-30 °C bis +60 °C
Betriebszeit	Ununterbrochen/Mit Unterbrechungen



Hinweis: Im Allgemeinen wird die Sende- und Empfangszeit des Funkgeräts (Betriebszykluszeit) vom Kommunikationssystem bestimmt. Bei Überlastung, insbesondere bei intensiver Nutzung jenseits der durch die Systemspezifikationen angegebenen Kapazitätsgrenzen bei hohen Umgebungstemperaturen wird das Gerät durch eine thermische Schutzvorrichtung geschützt. Die thermische Regelung senkt die HF-Ausgangsleistung und verringert somit die Reichweite des Geräts.

Tabelle 74: Sicherungsidentifizierung

Sicherung für Netzkabel GKN6270/ GKN6274	10 A (Motorola-Artikelnummer: 6500139767)		Wichtig: Während der Installation durchgebrannte Sicherungen NUR durch Sicherungen mit gleichen Werten ersetzen. Verwenden Sie nie Sicherungen mit anderen Werten.
Sicherung für Zündungserkennungskabel PMKN4120	4 A (Motorola-Artikelnummer: 6580283E02)		